


NOTES:

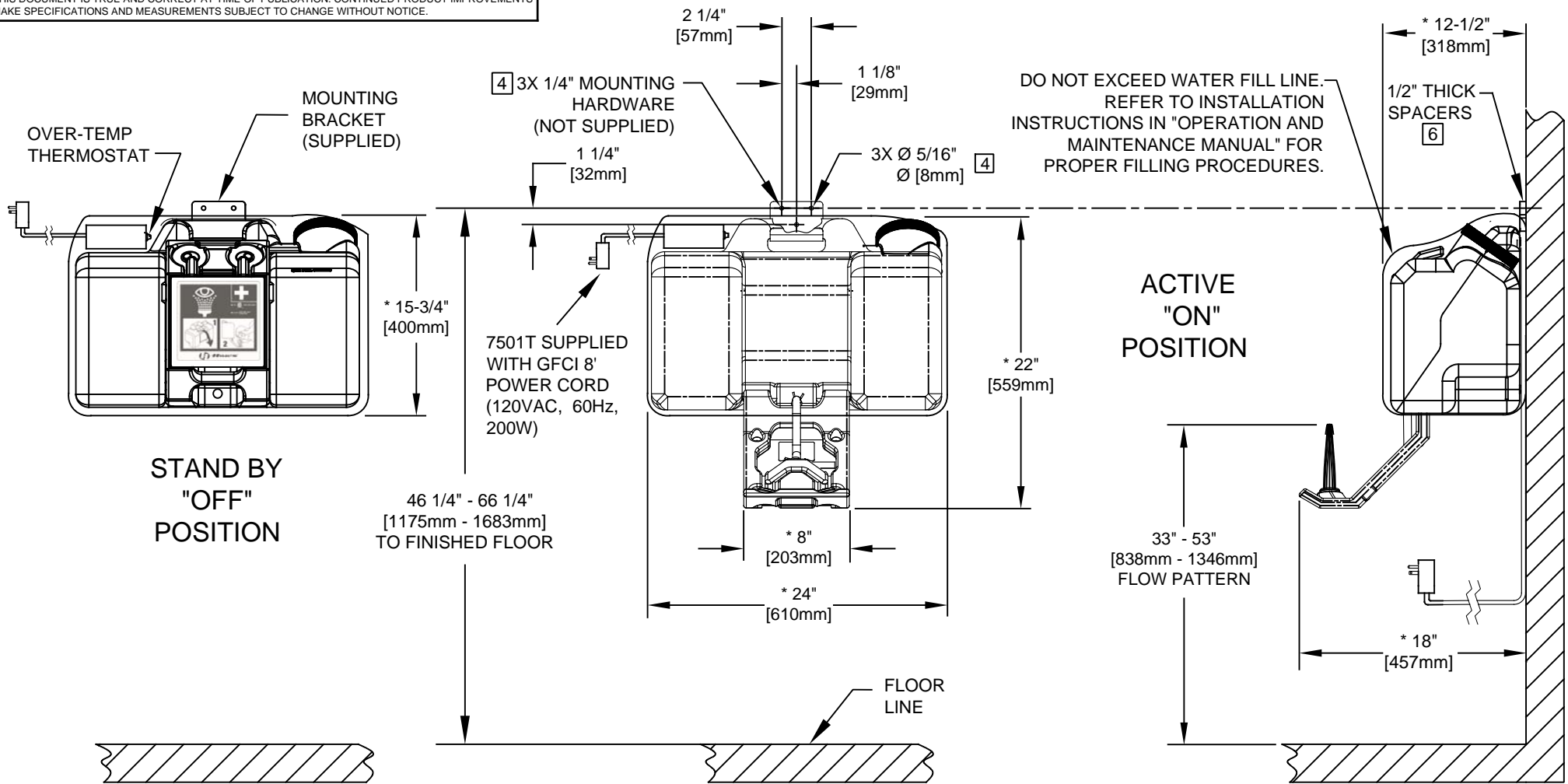
1. WHEN INSTALLING THIS UNIT, LOCAL, STATE, OR FEDERAL CODES SHOULD BE ADHERED TO FOR INSTALLATION DIMENSIONS (LOCATIONS), WASTE AND SUPPLY REQUIREMENTS, ETC.
2. TO COMPLY WITH ANSI Z358.1-2014 FOR EMERGENCY EYEWASH OR EYE/FACE WASH: EYEWASH OR EYE/FACE WASH SHALL BE POSITIONED SUCH THAT FLUSHING FLUID PATTERN IS NOT LESS THAN 33" (838mm) AND NO GREATER THAN 53" (1346 mm) FROM SURFACE ON WHICH USER STANDS; AND 6.0" (153mm) MINIMUM FROM WALL OR NEAREST OBSTRUCTION.
3. UNIT MUST BE LEVEL FROM FRONT TO BACK AND SIDE TO SIDE.
4. ALL THREE MOUNTING HOLES ON MOUNTING-BRACKET MUST BE USED TO PROPERLY SECURE EYEWASH UNIT TO WALL.
5. DIMENSIONS MAY VARY ±1/2" [12.7 mm]
6. LOCATE ONE 1/2" THICK SPACER (QTY. 3 SUPPLIED) BEHIND EACH HOLE IN THE MOUNTING BRACKET AS SHOWN. (MODEL 7501T & 7501T240 ONLY)
7. **UNIT MUST BE FILLED WITH WATER BEFORE CONNECTING TO POWER SOURCE.**

(NOTES CONTINUED ON SHEET 2)

MOUNTING DETAILS:

MODEL 7501 SHOWN. FOR MODELS 7501T/7501T240 WITH HEATED BLANKET SEE SHEET 2 OF 2.

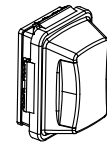
| | | | | |
|---|------------------------|------------|---|--------------|
|  | | | 1455 KLEPPE LANE SPARKS, NEVADA 89431 (775) 359-4712 FAX (775) 359-7424 E-MAIL: HAWS@HAWS.CO.COM WEBSITE: WWW.HAWS.CO.COM | |
| ECN NO. 5086 | REVISED PER: ECN: 5471 | BY: DB | MODEL(S) | PART NUMBER |
| DRAWN: MJ | DATE: 06/30/16 | CHKD: JS | 7501/7501T/7501T240 | 0002080045.D |
| APPROVED: IR | DATE: 03/18/20 | SCALE: 1:1 | DRAWING TYPE: ENVELOPE | REVISION |
| | | | | 18 |
| | | | | SHEET 1 OF 2 |



NOTES: (CONTINUED FROM SHEET 1 OF 2)

(FOR MODEL 7501T240)

8. CORD SET SHALL BE LISTED TO UL 817 AND CSA-C22.2 NO. 21 AND PROVIDED WITH 3 WIRE GROUNDING TYPE ATTACHMENT PLUG RATED 240 V, MIN. 15 A.
9. THE FLEXIBLE CORD TYPE SHALL BE TYPE S, SE, SJ, SJE, SJO, SJOO, SJT, SJTO, SJTOO, SO, SOO, ST, STO, OR STOO AND HAVE A TYPE LETTER SUFFIX OF "W," "W-A" OR "OUTDOOR."
10. THE CORD SET SHALL BE MIN. 6 FT IN LENGTH AND MIN 18 AWG SIZE FOR FLEXIBLE POWER SUPPLY CORD.
11. LISTED STRAIN RELIEF BUSHING SUITABLE FOR CORD SET SIZE AND OUTDOOR USE SHALL BE USED.
12. ALL MODELS MUST HAVE A GROUND FAULT PROTECTION DEVICE (30mA GFEPD) FOR HEAT TRACE. ELECTRICAL CURRENTS MAY BE INSUFFICIENT TO TRIP A CONVENTIONAL CIRCUIT BREAKER. ALL INSTALLATIONS MUST BE INSTALLED IN COMPLIANCE WITH LOCAL, STATE, AND/OR FEDERAL CODES.
13. ALL POWER CONNECTIONS MUST BE MADE ACCORDING TO NEC/ CEC CODE USING FLEXIBLE CONDUIT OR CABLE RATED FOR NEMA/TYPE 4 - NO RIGID CONNECTION PERMITTED. MODEL 7501T240 REQUIRES MINIMUM NEMA/TYPE 4 COMPLIANT EQUIPMENT.
14. THE FIELD INSTALLED POWER SUPPLY CORD SET NEEDS TO BE INSTALLED BY QUALIFIED PERSONNEL.



FOR 7501T: MUST USE WITH NEMA/TYPE 3R CERTIFIED COVERED OUTLET (NOT SUPPLIED).

MOUNTING DETAILS FOR:
 MODELS 7501T/7501T240 - WITH HEATED BLANKET SHOWN.
 FOR MODEL 7501 SEE SHEET 1 OF 2.

| | | | |
|---|--|---|---------------------------------|
| | | 1455 KLEPPE LANE SPARKS, NEVADA 89431 (775) 359-4712 FAX (775) 359-7424 E-MAIL: HAWS@HAWS.CO.COM WEBSITE: WWW.HAWS.CO.COM | |
| ECN NO. 5086 DRAWN: MJ APPROVED: IR | REVISED PER: ECN: 5471 DATE: 06/30/16 DATE: 03/18/20 | BY: DB CHK'D.: JS | MODEL(S) 7501/7501T/7501T240 |
| PART NUMBER 0002080045.D | | | REVISION 18 |
| SCALE: 1:1 | | DRAWING TYPE: INSTALLATION | SIZE: A SHEET 2 OF 2 |