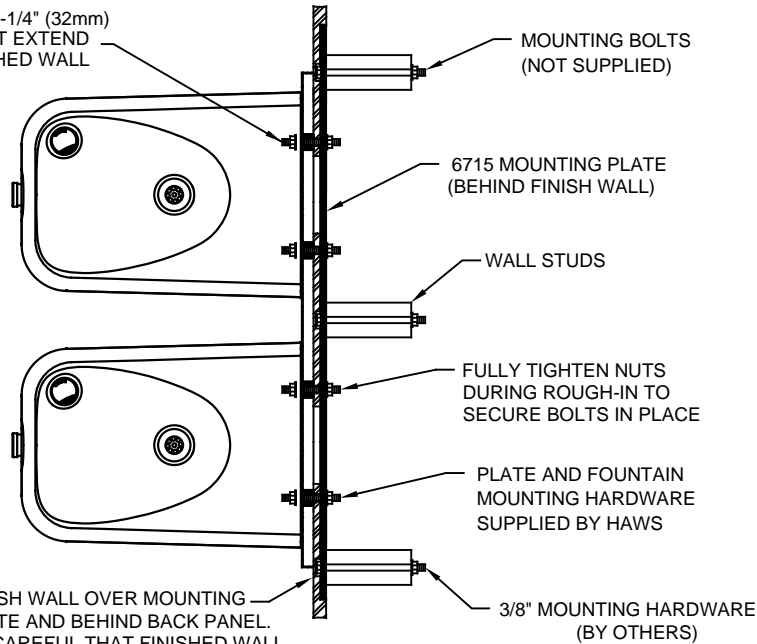
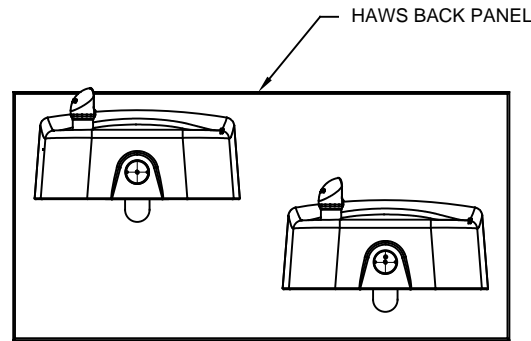
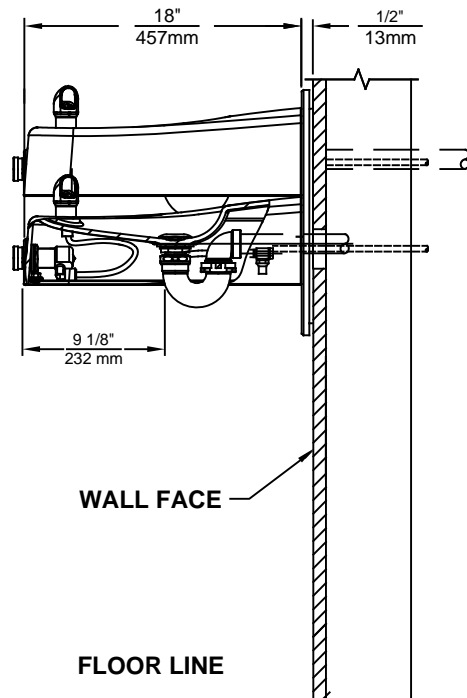
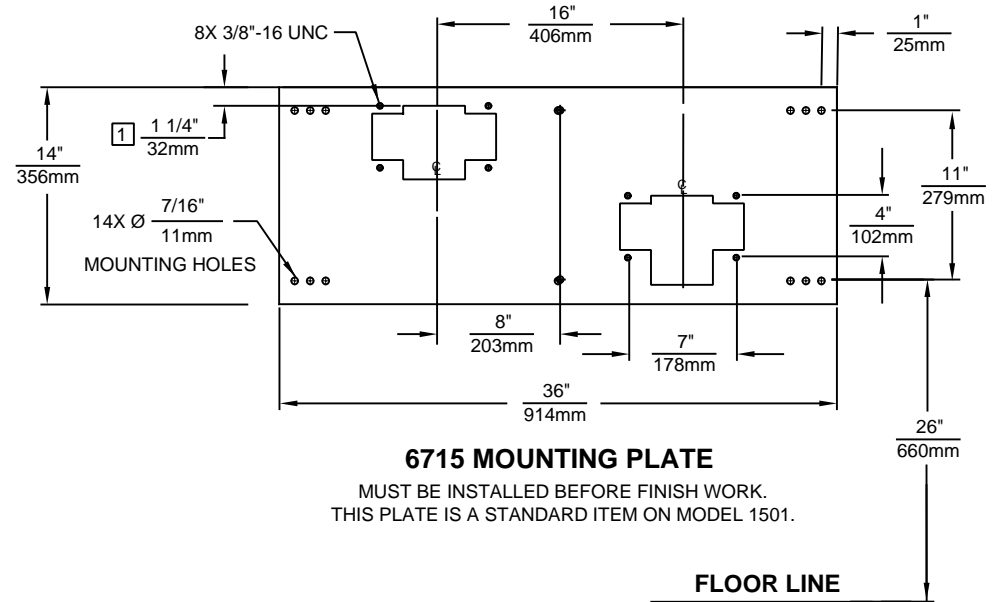


MINIMUM OF 1-1/4" (32mm) OF BOLT MUST EXTEND OUT OF FINISHED WALL



FINISH WALL OVER MOUNTING PLATE AND BEHIND BACK PANEL. BE CAREFUL THAT FINISHED WALL EXTENDS WITHIN THE HAWS BACKPANEL.



NOTES:

- 1 1 1/4" DIM TO SLOTTED OPENING MUST BE ON TOP LEFT HAND SIDE WHEN INSTALLED.

		1455 KLEPPE LANE SPARKS, NEVADA 89431 (775) 359-4712 FAX (775) 359-7424 E-MAIL: HAWS@HAWS.CO.COM WEBSITE: WWW.HAWS.CO.COM	
		ECN NO. 5010 DRAWN: HM APPROVED: FV	REVISED PER: ECN: 5526 DATE: 01/07/16 DATE: 04/13/20
PART NUMBER 0310000138		REVISION 2	
SCALE: 1:1		DRAWING TYPE: INSTALLATION	
SIZE: A		SHEET 1 OF 1	