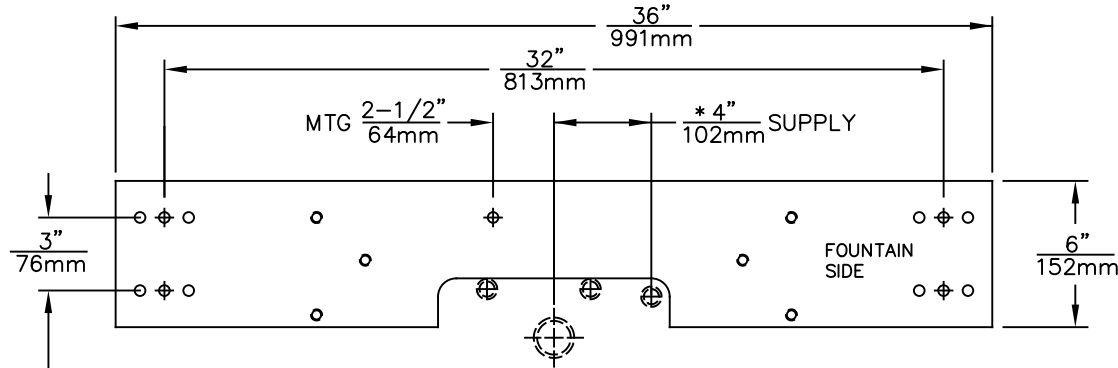


* THESE DIMENSIONS ARE FOR STANDARD UNITS. FOR FREEZE RESISTANT FOUNTAINS PLEASE REFER TO THE INSTRUCTIONS SUPPLIED WITH THE UNIT.



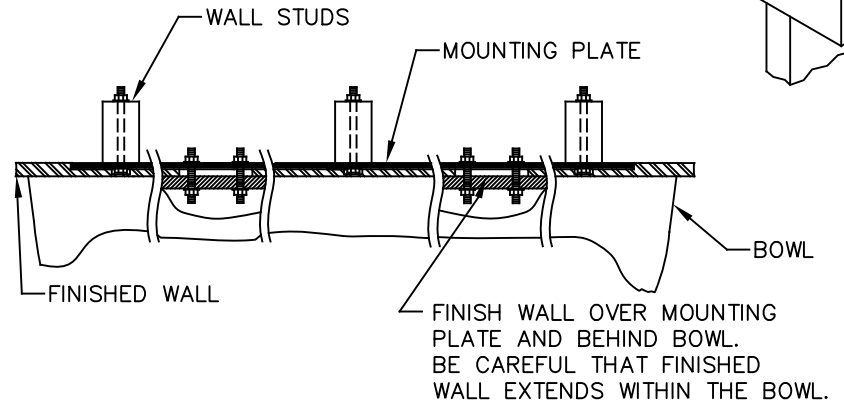
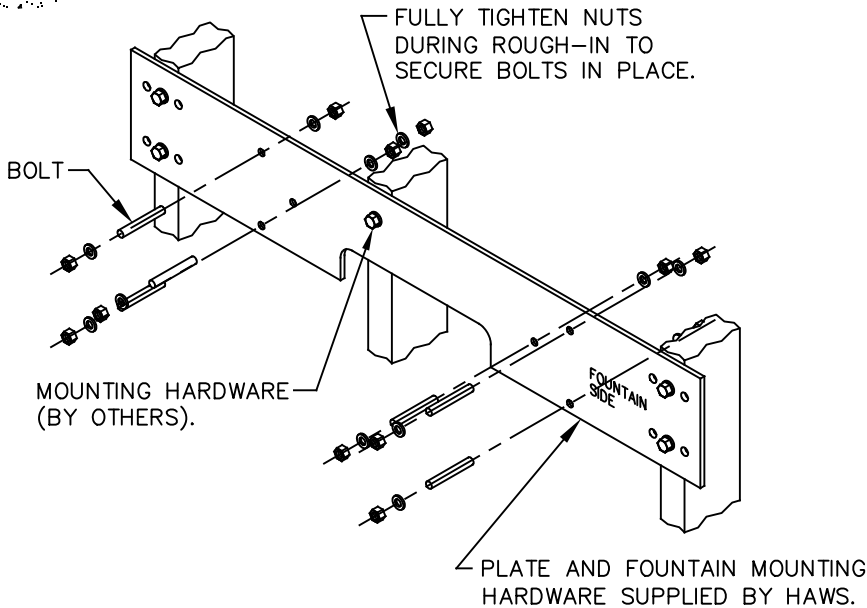
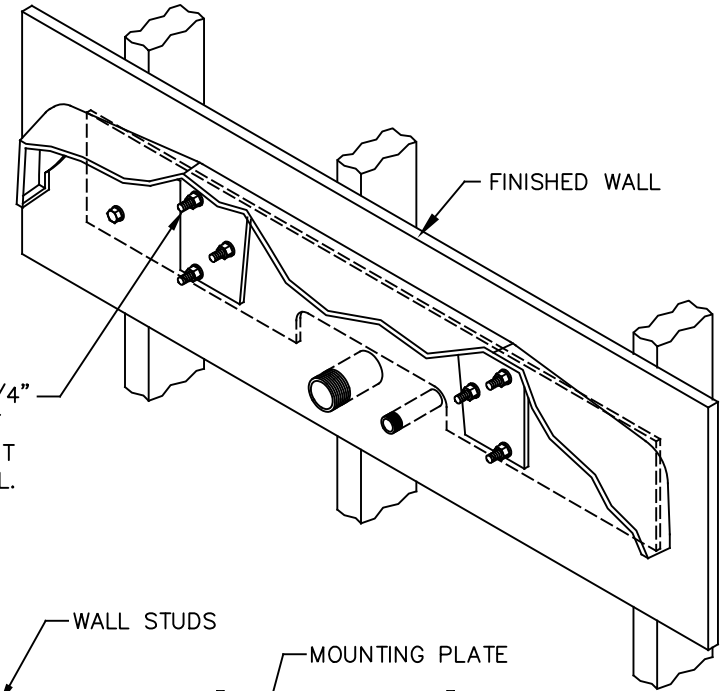
DIMENSION	MODEL	
	1441FR	1441
"X"	28-1/2" [724mm]	28-1/2" [724mm]
SUPPLY	28-9/16" [725mm]	27-1/2" [699mm]
WASTE	26-9/16" [675mm]	26-1/4" [667mm]


X" SEE TABLE
Xmm

FLOOR LINE

CAUTION

REGARDING CONCRETE/MASONRY WALL MOUNTING:
DO NOT SECURE MOUNTING PLATE TO SAME SIDE OF WALL AS FOUNTAIN.
AVOID COMPROMISING INTEGRITY OF WALL WHEN ANCHORING FOUNTAIN.
IT IS RECOMMENDED THAT INSTALLER CALL TECHNICAL SUPPORT IF THERE ARE ANY QUESTIONS AS TO HOW TO OBTAIN A PROPER ANCHOR IN CONCRETE/MASONRY WALLS. 1-800-766-5612





Haws

1455 KLEPPE LANE
SPARKS, NEVADA 89431
(775) 359-4712 FAX (775) 359-7424
E-MAIL: HAWS@HAWS.CO.COM
WEBSITE: WWW.HAWS.CO.COM

ECN NO.	REVISED PER:	BY:	MODEL(S)	PART NUMBER
	ECN: 5526	FV		0002080017
DRAWN:	DATE:	CHK'D:		REVISION
CH	06-93	DP	6710	7
APPROVED:	DATE:	SCALE:	DRAWING TYPE:	SHEET 1 OF 1
FV	04/13/20	N/A	INSTALLATION	