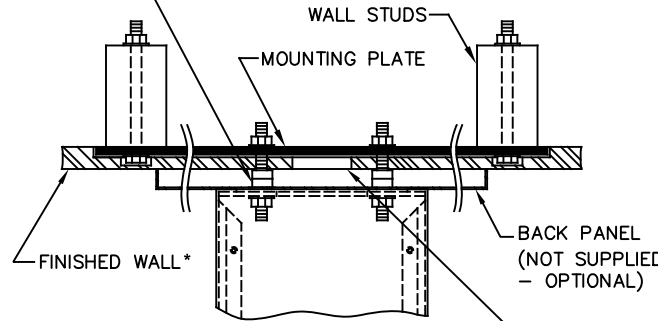


USE QTY 2 RUBBER SPACERS (QTY 8 SUPPLIED WITH BACK PANEL) ON EACH BOLT (QTY 4 SUPPLIED) TO PROVIDE BACK PANEL SUPPORT.



**TOP VIEW**

**6700 MOUNTING PLATE FOR USE WITH DRINKING FOUNTAINS AND WASTE DRIP TRAYS AT 27" ADULT HEIGHT (SEE SHEETS 2 - 5 FOR USE WITH BOTTLE FILLER 1920/1920HO SERIES AND CHILD HEIGHT APPLICATIONS)**

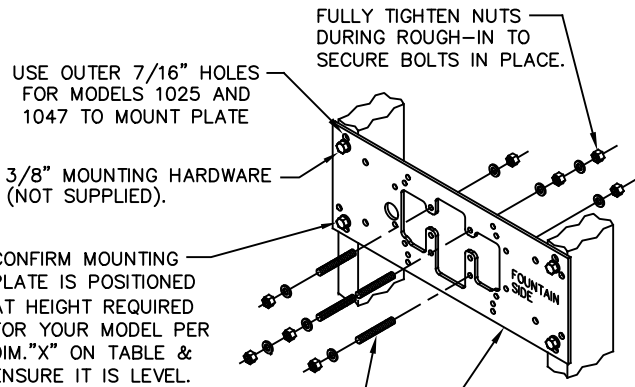
**DRINKING FOUNTAIN (ONLY) AT 27" ADULT HEIGHT (SEE SPECIFIC MODEL O&M'S FOR OTHER HEIGHTS)**

MODEL	USE BOWL MTG. HOLE PATTERN	USE "X" DIM. BELOW TO POSITION MOUNTING PLATE HOLE "X"
1001	"G"	25-3/8" [645mm]
1025	"D"	28-1/8" [714mm]
1047	"E"	24-3/8" [619mm]
1105	"H"	34-5/16" [872mm]
1107L	"F"	26-3/16" [665mm]
1109	"H"	27-5/16" [694mm]
1109.14	"H"	27-5/16" [694mm]
1109FR	"H"	27-5/16" [694mm]
1311	"E"	26-3/4" [679mm]

**WASTE DRIP TRAY (ONLY) AT 27" ADULT HEIGHT**

6468	"G"	25-3/8" [645mm]
1922	"G"	25-3/8" [645mm]

\* FINISH WALL OVER MOUNTING PLATE AND BEHIND BACK PANEL. MAKE SURE THAT FINISHED WALL EXTENDS WITHIN THE BRACKET/BOWL MOUNTING HOLES (TO PROVIDE SURFACE AREA FOR RUBBER SPACERS TO CONTACT).



BOLT LOCATIONS SHOWN ARE FOR REFERENCE ONLY, REFER TO TABLE FOR YOUR SPECIFIC BOWL MOUNTING HOLE PATTERN.  
PLATE AND FOUNTAIN MOUNTING HARDWARE (3/8"-16 UNC) SUPPLIED BY HAWS.

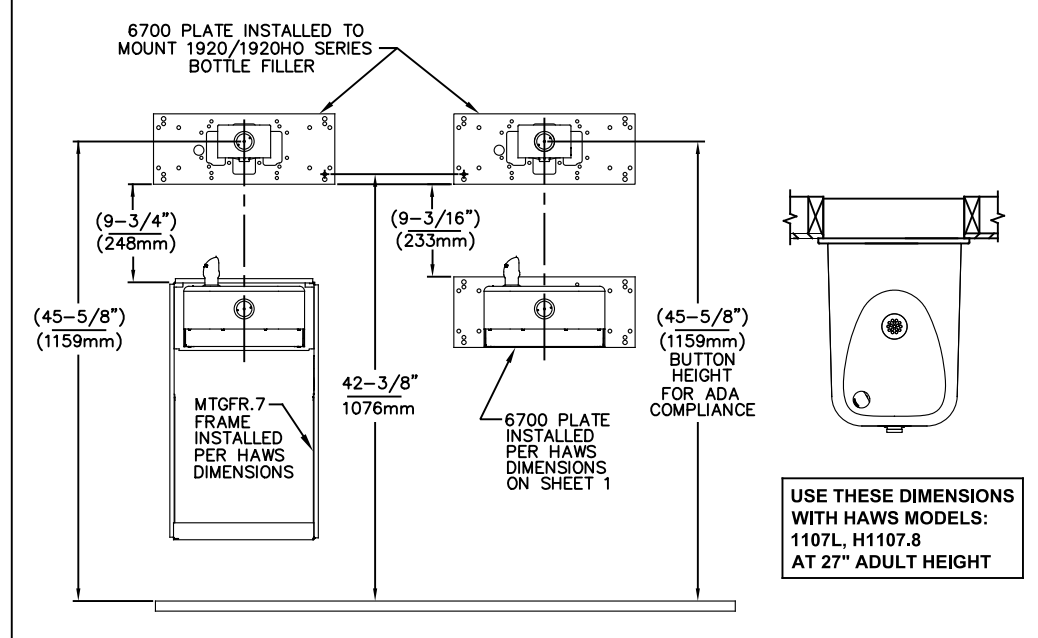
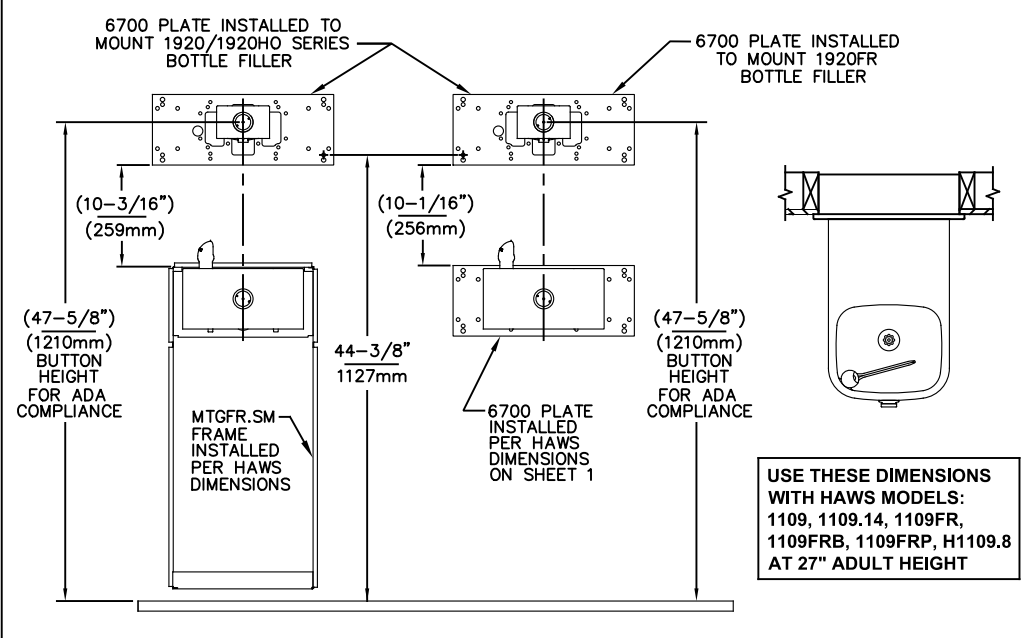
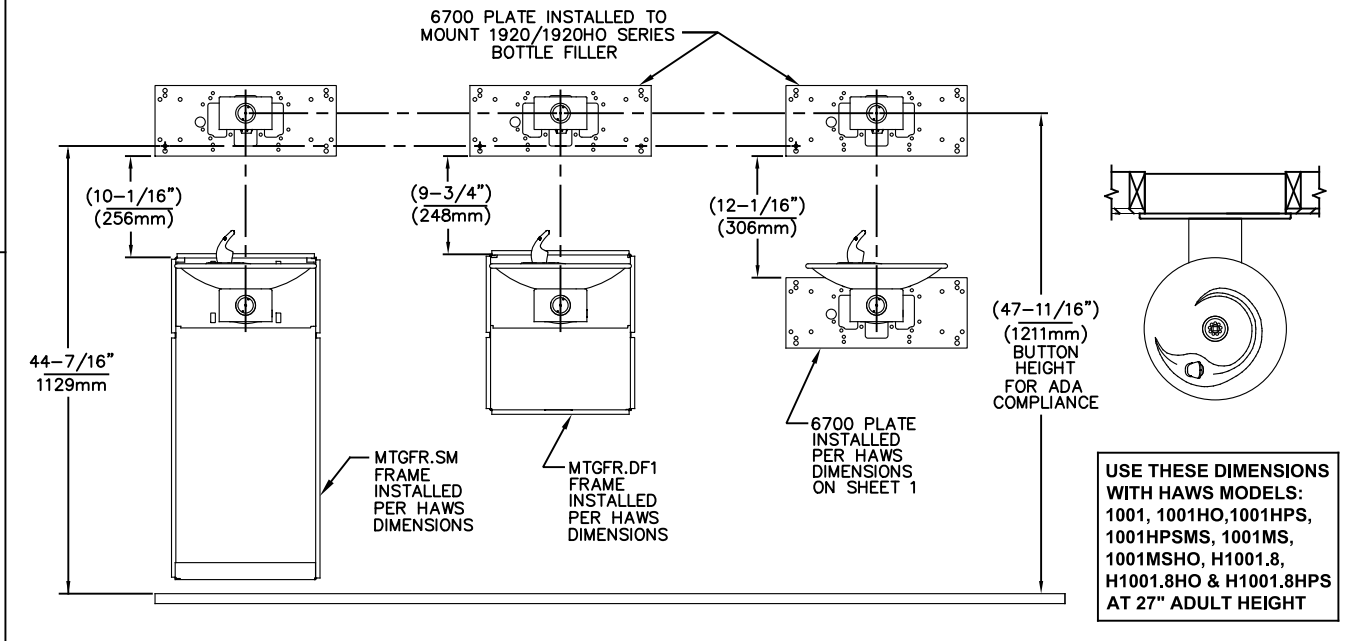
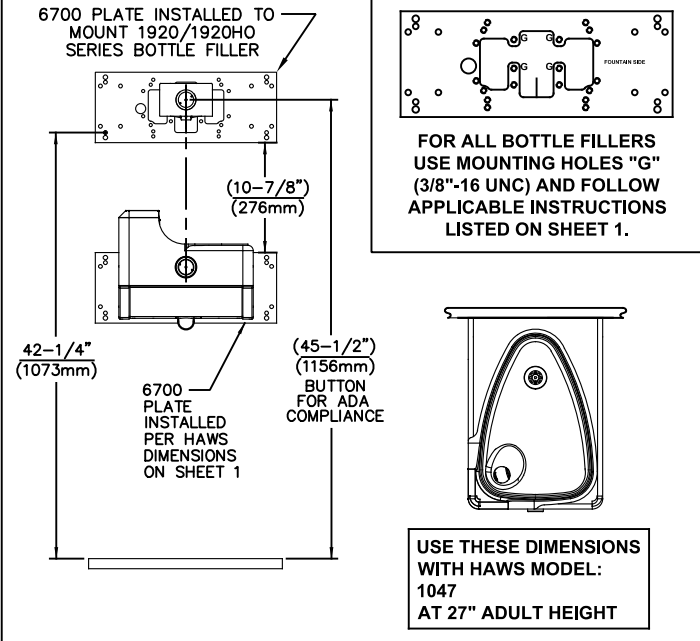
**CAUTION**

REGARDING CONCRETE/MASONRY WALL MOUNTING: DO NOT SECURE MOUNTING PLATE TO SAME SIDE OF WALL AS FOUNTAIN. AVOID COMPROMISING INTEGRITY OF WALL WHEN ANCHORING FOUNTAIN. IT IS RECOMMENDED THAT INSTALLER CALL TECHNICAL SUPPORT IF THERE ARE ANY QUESTIONS AS TO HOW TO OBTAIN A PROPER ANCHOR IN CONCRETE/MASONRY WALLS. 1-800-766-5612



1455 KLEPPE LANE  
SPARKS, NEVADA 89431  
(775) 359-4712 FAX (775) 359-7424  
E-MAIL: HAWS@HAWS.CO.COM  
WEBSITE: WWW.HAWS.CO.COM

ECN NO. REVISED PER BY:	MODEL(S)	PART NUMBER
ECN: 6005 FV		0002080016
DRAWN: C.JL DATE: 09-03-03 CHK'D: KM	6700	REVISION
APPROVED: FV DATE: 02/26/24	SCALE: N/A DRAWING TYPE: INSTALLATION	24
		SHEET 1 OF 5

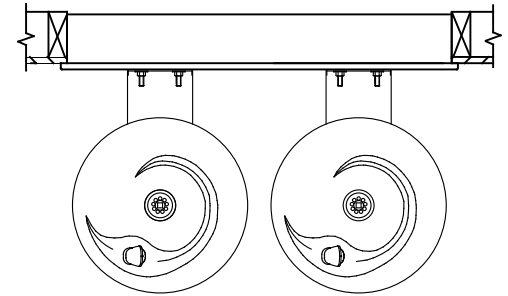
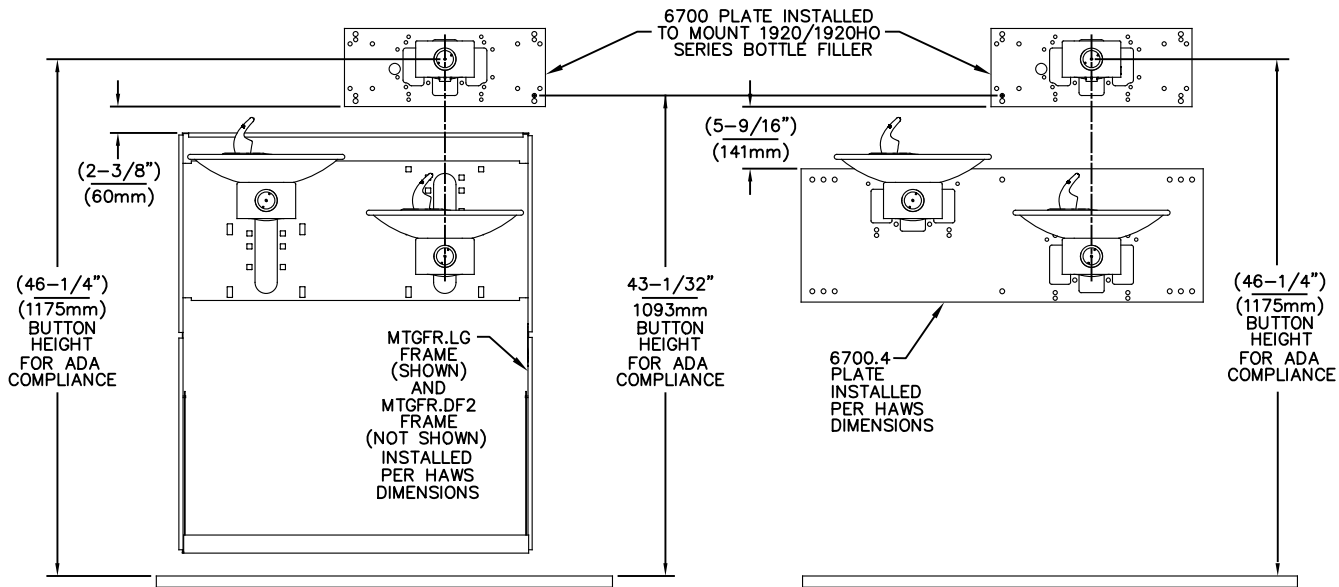


NOTES:  
 1. WHEN INSTALLING THIS UNIT, LOCAL, STATE OR FEDERAL CODES SHOULD BE ADHERED TO.  
 2. BACK PANELS (OPTIONAL) NOT SHOWN FOR CLARITY.

6700 MOUNTING PLATE FOR USE WITH BOTTLE FILLER (SEE SHEET 1 FOR USE WITH DRINKING FOUNTAINS)

1455 KLEPPE LANE  
 SPARKS, NEVADA 89431  
 (775) 359-4712 FAX (775) 359-7424  
 E-MAIL: HAWS@HAWSCO.COM  
 WEBSITE: WWW.HAWSCO.COM

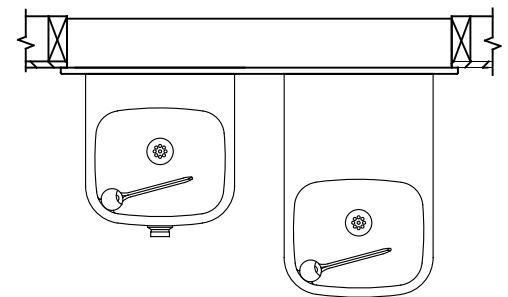
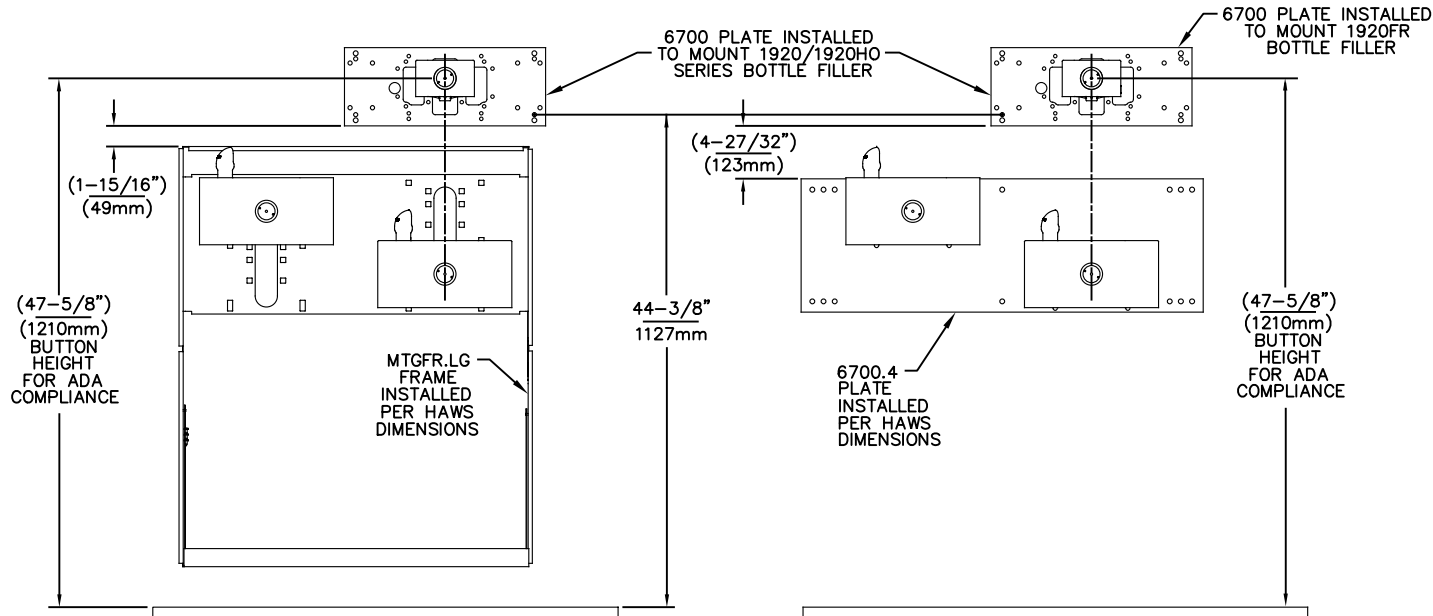
ECN NO.	REVISED PER	BY:	MODEL(S)	PART NUMBER
	ECN: 6005	FV		0002080016
DRAWN:	DATE:	CHK'D:		REVISION
MJ	02/09/17	KM	6700	24
APPROVED:	DATE:		SCALE: N/A	DRAWING TYPE: INSTALLATION
FV	02/26/24			SIZE: A SHEET 2 OF 5



**USE THESE MOUNTING DIMENSIONS IF INSTALLING OVER HAWS FOUNTAIN MODEL: 1011, 1011HO, 1011HO2, 1011HPS, 1011HPSHO, 1011HPSHO2, 1011HPSMS, 1011MS, 1011MSHO, 1011MSHO2, H1011.8, H1011.8HO, H1011.8HO2 & H1011.8HPSM AT 27" ADULT HEIGHT**

**INSTALL THE 6700 ABOVE THE FOUNTAIN MOUNTING PLATE OR FRAME AT THE DIMENSION SHOWN FOR CORRECT BACKPANEL SPACING**

**BACK PANELS FOR BOTTLE FILLERS (NOT SUPPLIED - OPTIONAL) ARE NOT SHOWN FOR CLARITY.**



**USE THESE MOUNTING DIMENSIONS IF INSTALLING OVER HAWS FOUNTAIN MODEL: 1119, 1119.14, 1119.14HO, 1119.14HO2, 1119FR, 1119FRB, 1119FRP, 1119HO, 1119HO2 & H1119.8 AT 27" ADULT HEIGHT**

**INSTALL THE 6700 ABOVE THE FOUNTAIN MOUNTING PLATE OR FRAME AT THE DIMENSION SHOWN FOR CORRECT BACKPANEL SPACING**

**BACK PANELS FOR BOTTLE FILLERS (NOT SUPPLIED - OPTIONAL) ARE NOT SHOWN FOR CLARITY.**

- NOTES:
1. WHEN INSTALLING THIS UNIT, LOCAL, STATE OR FEDERAL CODES SHOULD BE ADHERED TO.
  2. BACK PANELS (OPTIONAL) NOT SHOWN FOR CLARITY.

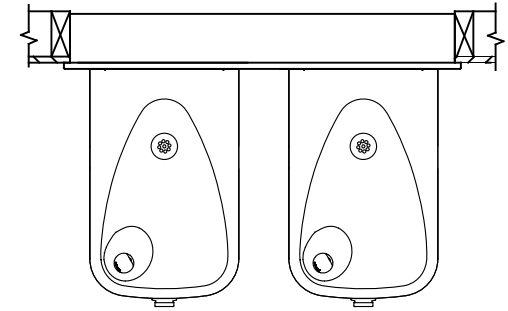
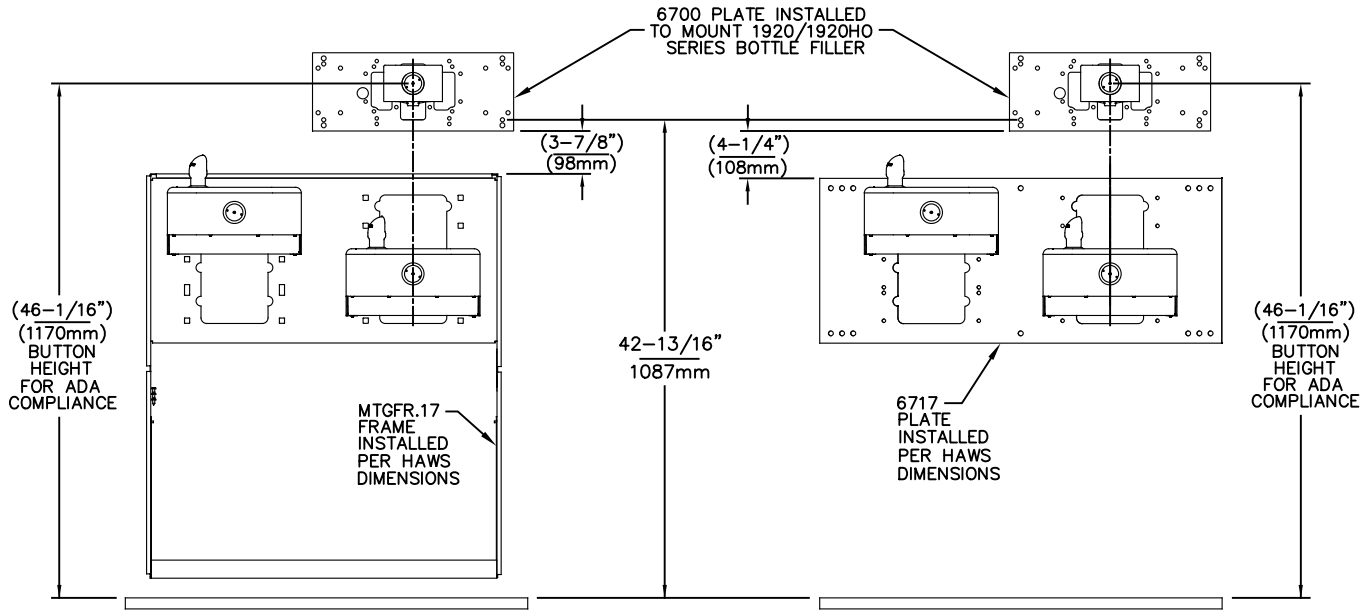
6700 MOUNTING PLATE  
FOR USE WITH BOTTLE FILLER  
(SEE SHEET 1 FOR USE WITH  
DRINKING FOUNTAINS)



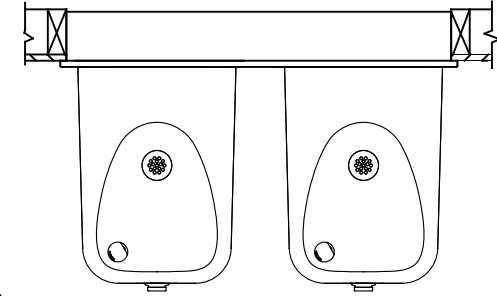
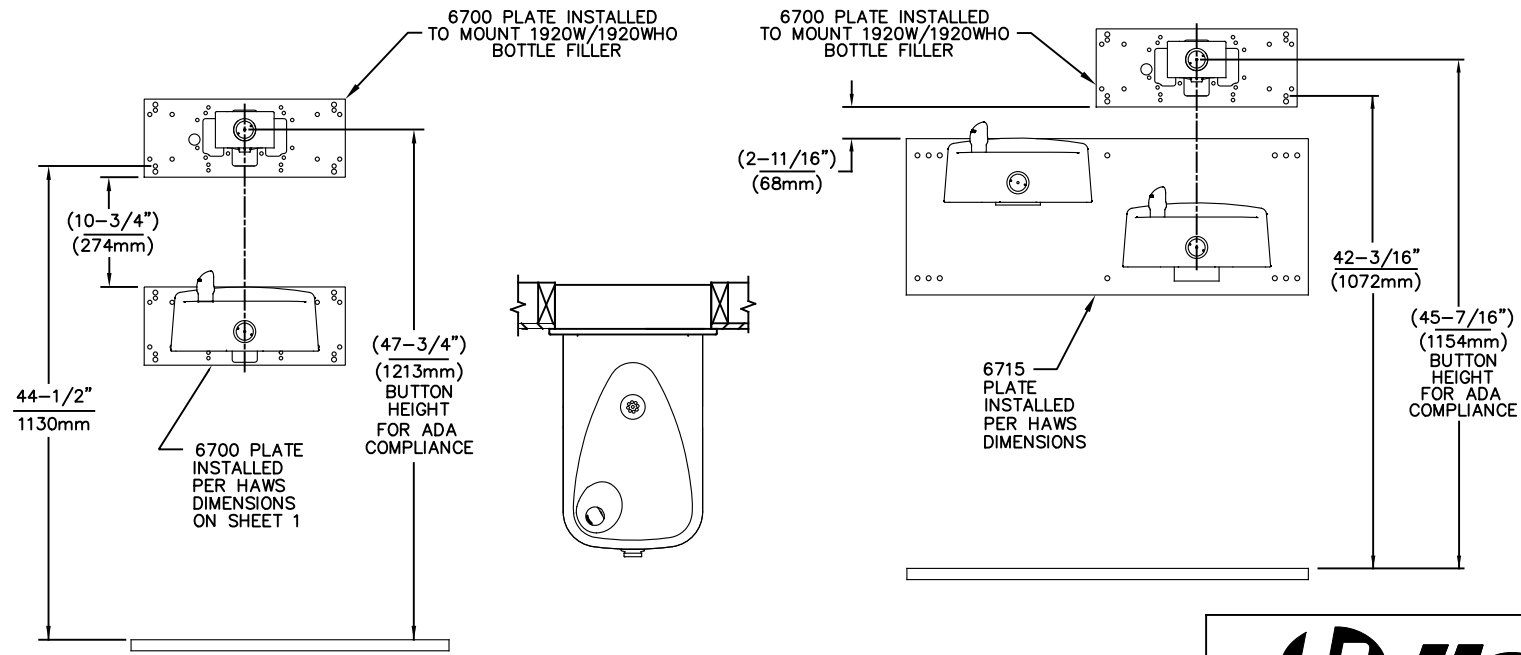
1455 KLEPPE LANE  
SPARKS, NEVADA 89431  
(775) 359-4712 FAX (775) 359-7424  
E-MAIL: HAWS@HAWS.CO.COM  
WEBSITE: WWW.HAWS.CO.COM

ECN NO. 5550	REVISED PER BY: ECN: 6005 FV	MODEL(S)		PART NUMBER	0002080016
DRAWN: FV	DATE: 05/14/20	CHK'D: KM	6700	REVISION	24
APPROVED: FV	DATE: 02/26/24	SCALE: 1:13	DRAWING TYPE: INSTALLATION	SIZE: A	SHEET 3 OF 5

THIS DOCUMENT IS TRUE AND CORRECT AT TIME OF PUBLICATION. CONTINUED PRODUCT IMPROVEMENTS MAKE SPECIFICATIONS AND MEASUREMENTS SUBJECT TO CHANGE WITHOUT NOTICE.




**USE THESE MOUNTING DIMENSIONS IF INSTALLING OVER HAWS FOUNTAIN MODEL: 1117L, 1117LHO, 1117LHO2, H1117.8, H1117.8HO, H1117.8HO2 (1117LN, 1117LNHO, 1117LNHO2 AND H1117LN.8 USE A 6700.4 MOUNTING PLATE & NOT SHOWN - SEE MANUALS) AT 27" ADULT HEIGHT**  
**INSTALL THE 6700 ABOVE THE FOUNTAIN MOUNTING PLATE OR FRAME AT THE DIMENSION SHOWN FOR CORRECT BACKPANEL SPACING**  
**BACK PANELS FOR BOTTLE FILLERS (NOT SUPPLIED - OPTIONAL) ARE NOT SHOWN FOR CLARITY.**



**USE THESE MOUNTING DIMENSIONS IF INSTALLING OVER HAWS FOUNTAIN MODEL: 1311, 1501 AT 27" ADULT HEIGHT**  
**INSTALL THE 6700 ABOVE THE FOUNTAIN MOUNTING PLATE AT THE DIMENSION SHOWN FOR CORRECT BACKPANEL SPACING (IF APPLICABLE).**  
**BACK PANEL FOR BOTTLE FILLER (NOT SUPPLIED - OPTIONAL) IS NOT SHOWN FOR CLARITY.**

**NOTES:**  
 1. WHEN INSTALLING THIS UNIT, LOCAL, STATE OR FEDERAL CODES SHOULD BE ADHERED TO.  
 2. BACK PANELS (OPTIONAL) NOT SHOWN FOR CLARITY.

**6700 MOUNTING PLATE FOR USE WITH BOTTLE FILLER (SEE SHEET 1 FOR USE WITH DRINKING FOUNTAINS)**



**Haws**  
Since 1906

1455 KLEPPE LANE  
 SPARKS, NEVADA 89431  
 (775) 359-4712 FAX (775) 359-7424  
 E-MAIL: HAWS@HAWS.CO.COM  
 WEBSITE: WWW.HAWS.CO.COM

ECN NO. 5550	REVISED PER BY: ECN: 6005 FV	MODEL(S)	6700	PART NUMBER	0002080016
DRAWN: FV	DATE: 05/14/20	CHK'D: KM		REVISION	24
APPROVED: FV	DATE: 02/26/24	SCALE: 1:13	DRAWING TYPE: INSTALLATION	SIZE: A	SHEET 4 OF 5