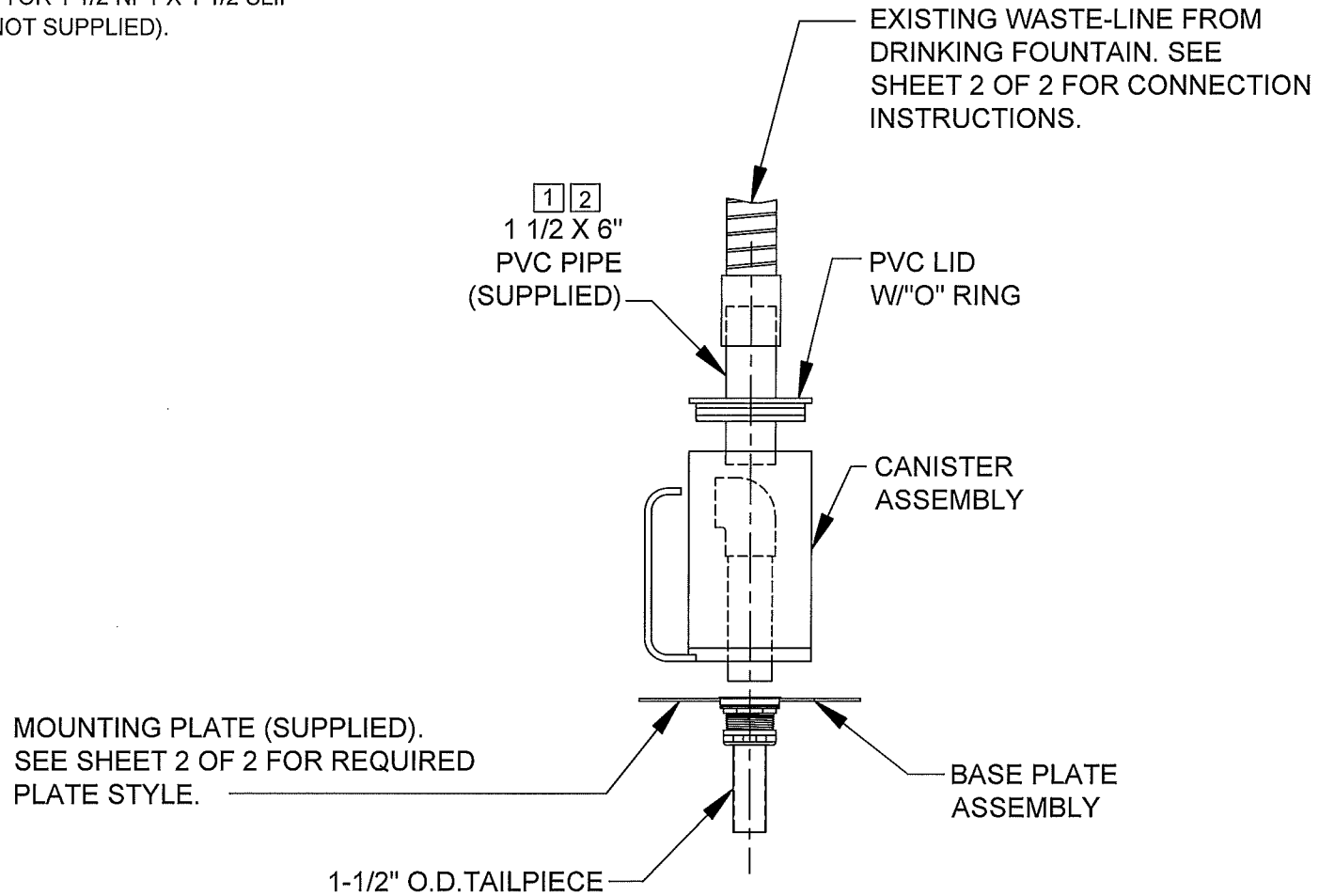


NOTES:

- 1 CUSTOMER TO CUT 1 1/2" X 6" PVC PIPE (SUPPLIED) TO REQUIRED LENGTH.
- 2 CUSTOMER TO ATTACH PVC PIPE TO EXISTING PVC FITTING USING APPROPRIATE PVC GLUE.
- 3 PVC SCH.40 MALE ADAPTOR 1 1/2 NPT X 1 1/2 SLIP WASTE CONNECTION (NOT SUPPLIED).



**SANDTRAP ASSEMBLY
DETAILS**


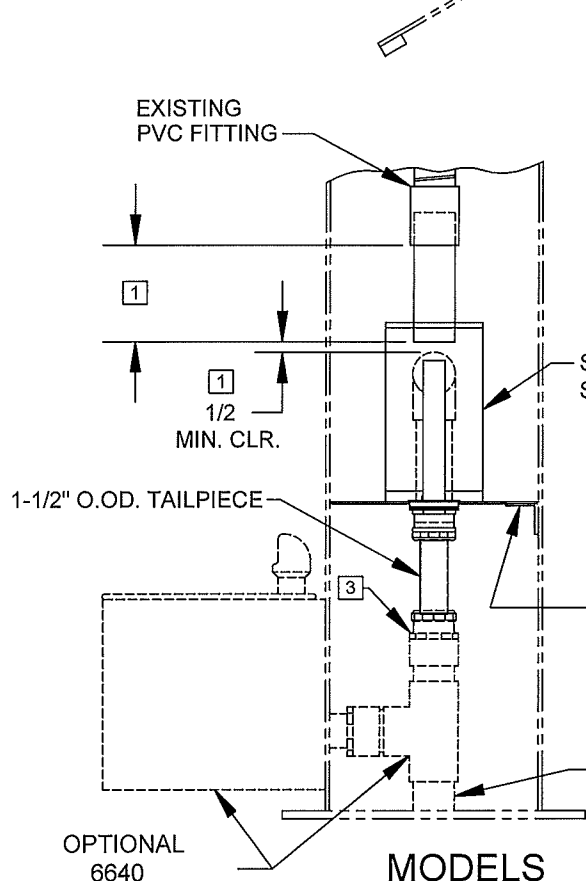
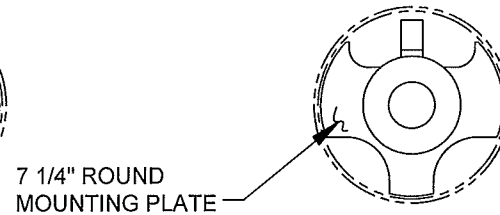
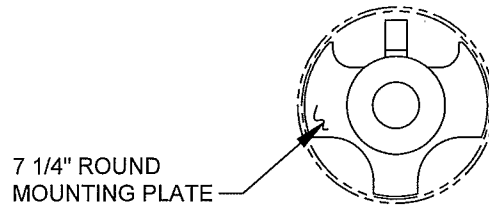
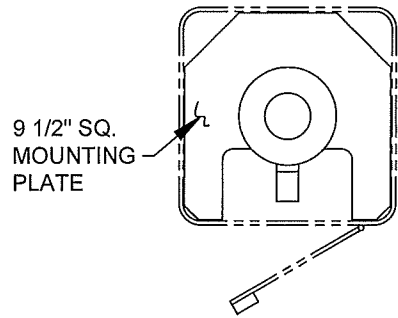
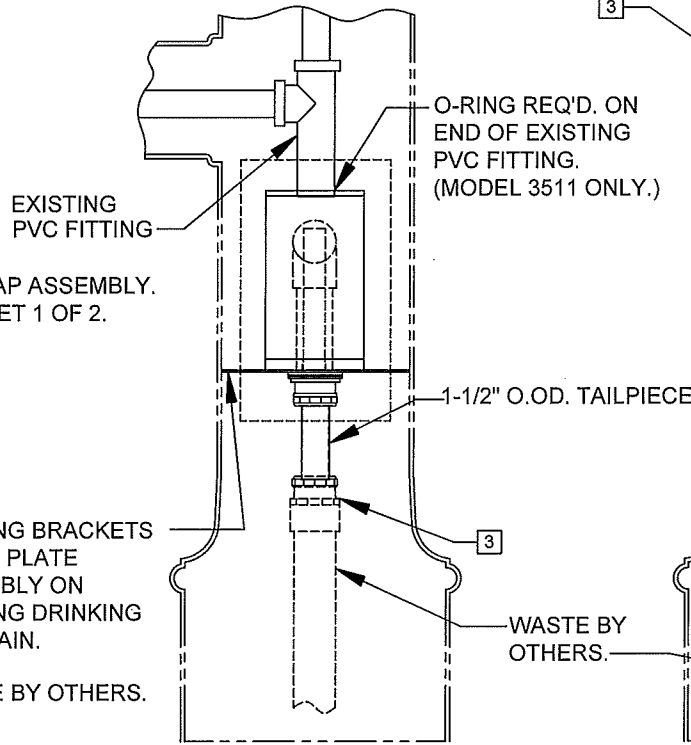
			1455 KLEPPE LANE SPARKS, NEVADA 89431 (775) 359-4712 FAX (755) 359-7424 E-MAIL: HAWS@HAWSO.COM WEBSITE: WWW.HAWSO.COM	
			ECN NO. REVISED PER BY: ECN: 4837 HM	MODEL(S) 6635
DRAWN: PM	DATE: 03/99	CHKD.: [Signature]	DRAWING NO. 14050C00	REV 4
APPROVED: [Signature]	DATE: 7/14/13	SCALE: 1:7	DRAWING TYPE: INSTALLATION	SIZE: A SHEET 1 OF 2

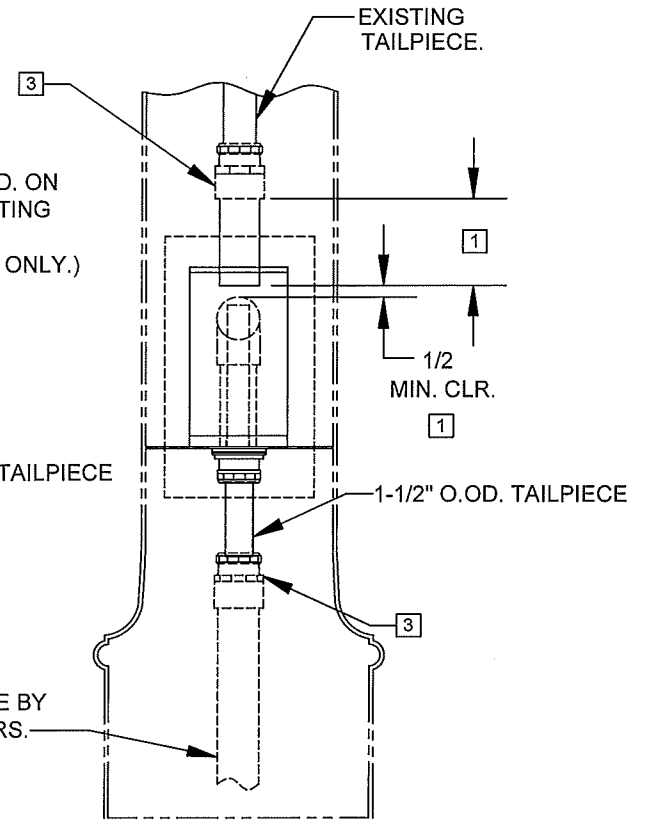
PLATE STYLES



MODELS
3500 / 3500D
3501/ 3502



MODELS
3511



MODELS
3510

WASTE CONNECTION DETAILS



1455 KLEPPE LANE
SPARKS, NEVADA 89431
(775) 359-4712 FAX (775) 359-7424
E-MAIL: HAWS@HAWSCO.COM
WEBSITE: WWW.HAWSCO.COM

ECN NO. REVISED PER BY:	MODEL(S)	PART NUMBER
ECN: 4837 HM		0002080008
DRAWN: DATE: CHK'D:		DRAWING NO. REV
PM 03/99		14050C00 4
APPROVED: DATE:		SCALE: 1:8 DRAWING TYPE: INSTALLATION SIZE: A SHEET 2 OF 2