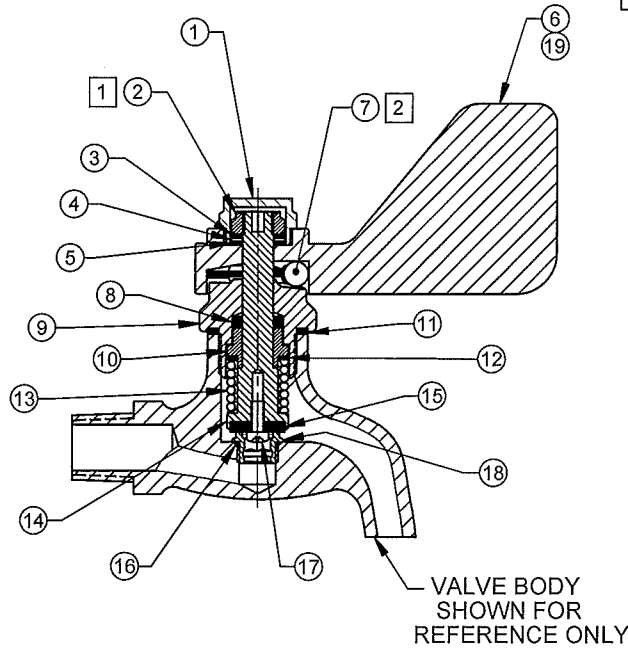
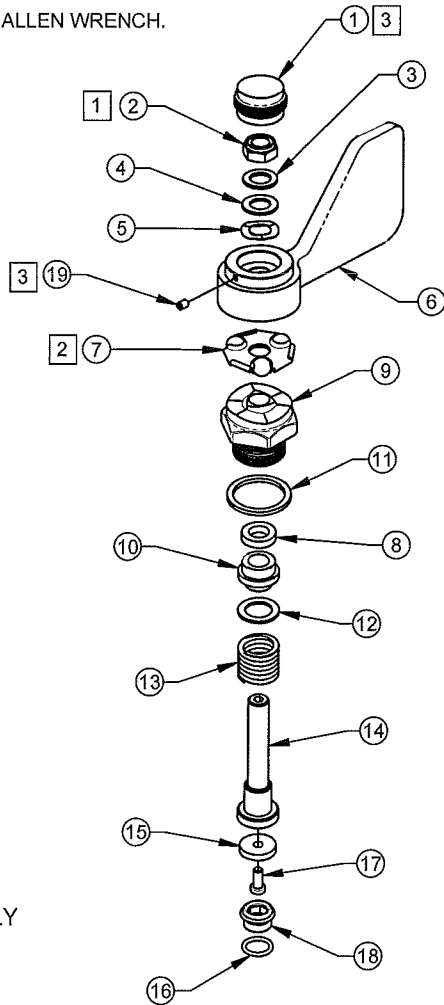


**NOTES:**

- 1 IF NEEDED, WHEN RE-ASSEMBLING VALVE TIGHTEN DOWN ON (EXISTING) 3/8"-24 LOCK NUT USING A 9/16" BOX WRENCH AND A 5/32" ALLEN WRENCH (TO KEEP VALVE STEM (ITEM 14) FROM TURNING) UNTIL ACHIEVING A SLIGHT PLAY ON HANDLE. CAUTION: DO NOT OVER TIGHTEN NUT. VALVE WILL LEAK.
- 2 LUBRICATE WITH GREASE BEFORE ASSEMBLY.
- 3 SECURE CAP (ITEM 1) WITH SET SCREW (ITEM 19) USING A 1/16" ALLEN WRENCH.

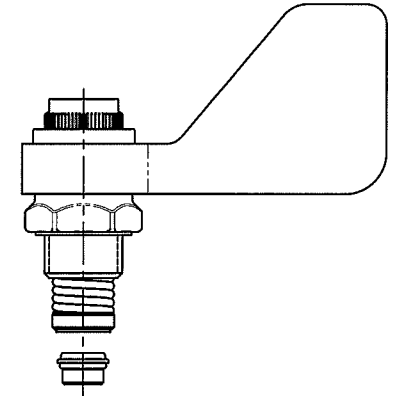


FOR MODEL:  
6252EHLF



EXPLODED VIEW

ITEM	PART NO.	DESCRIPTION
19	0005063885	SCREW, SET 6-32 UNC
18	0005208682	SEAT F/5830HST
17	0005064870	SCREW, 8-32 X 3/8"
16	0003981050	O-RING, .426 X .070 WALL
15	0006634576	WASHER, .660 X .170 X .125
14	0005532750	STEM, VALVE
13	0005425392	SPRING, .73 X 1.25 X 2.50mm
12	0006634380	WASHER, .75 X .494 X .040
11	0006634184	WASHER, 1.165 X .951 X .073
10	0002583484	GLAND
9	0000356160	BONNET, 6252HST UNPLATED
8	0002582902	GLAND PACKING
7	0000192993	BEARING SET
6	0002689139	HANDLE, LEVER F/6252EHLF
5	0006626653	WASHER, WAVE 5/16"
4	0006633792	WASHER, .650 X .380 X .040
3	0006633596	WASHER, .625 X .390 X .048
2	0003801119	NUT, 3/8-24 UNF NYLON LOCK
1	0001465960	INDEX CAP, UNPLATED



ASSEMBLED VIEW

**Haws**<sup>®</sup>

1455 KLEPPE LANE  
SPARKS, NEVADA 89431  
(775) 359-4712 FAX (775) 359-7424  
E-MAIL: HAWS@HAWS.CO.COM  
WEBSITE: WWW.HAWS.CO.COM

ECN NO.	REVISED PER	BY	MODEL(S)	PART NUMBER
	ECN: 4689	HM	6252HST	0002080003
DRAWN:	DATE:	CHKD:	HANDLE/STEM ASSEMBLY	DRAWING NO.
RTM	02/23/06			15247A00
APPROVED:	DATE:		SCALE: 1:1	DRAWING TYPE: INSTALLATION
			SIZE: A	SHEET 1 OF 1