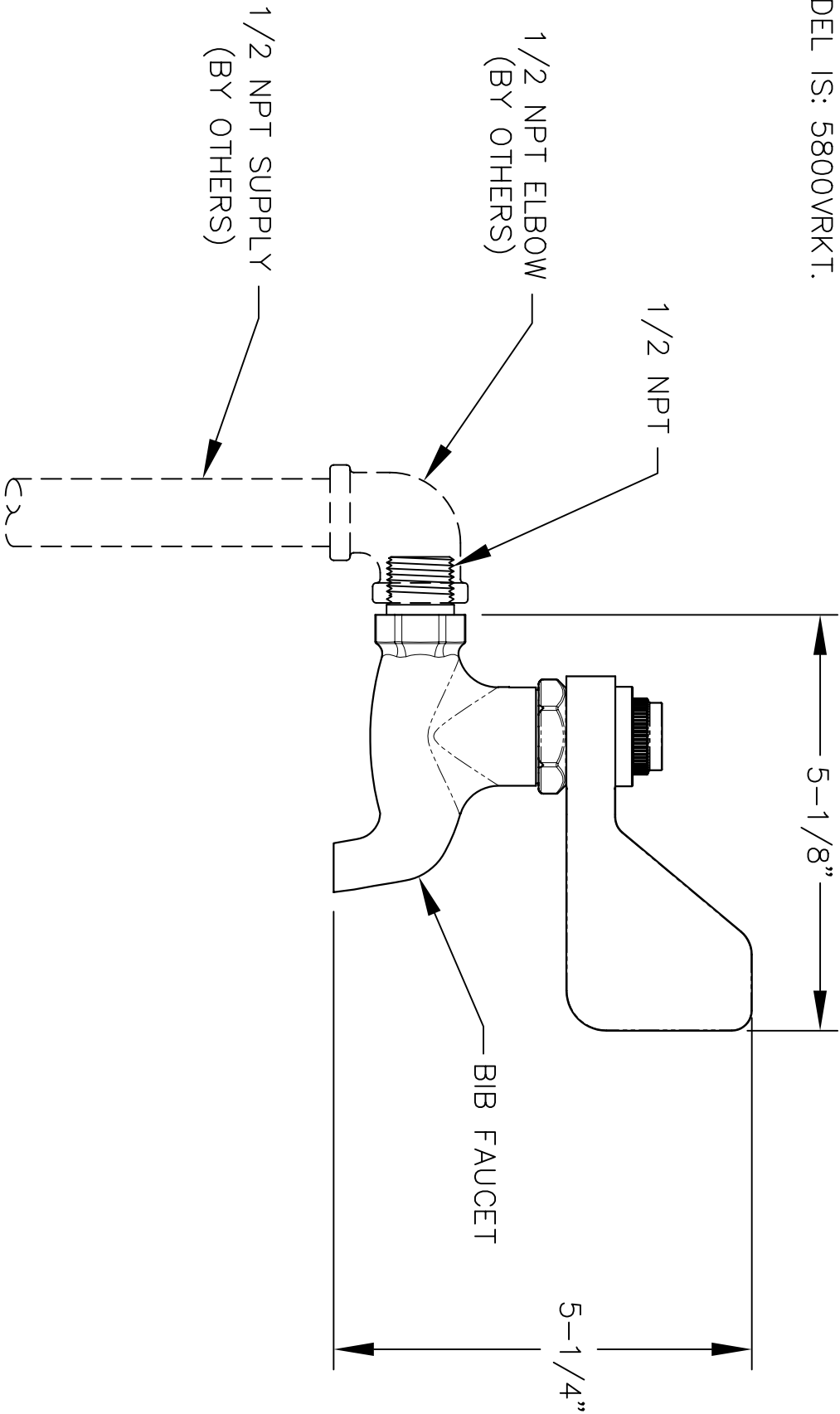


NOTES:

1. THE HANDLE/STEM REPAIR KIT FOR THIS MODEL IS: 6252HST.
2. THE VALVE REPAIR KIT FOR THIS MODEL IS: 5800VRKT.



Haws Corporation

INFO FAX : 1-888-FAX-HAWS (1-888-329-4297)

1455 Kieppe Ln, Sparks NV, 89431
 Phone: 775-359-4712 Fax: 775-359-7424
 Haws Ag Bachweg 3 CH-3401 Burgdorf Switzerland
 Haws Mfg Pte Ltd 74 Sungai Kodut Loop Singapore 729531
 e-mail: Haws@hawsco.com website: www.hawsco.com

FOR NO.	REVISION PER	BY	MODEL(S):
6252HST	ECON. 3/20	RTM	6252EHLF
DO	DATE	SCALE	1/2
APPROVED	DATE	SCALE	1/2
DRAWING TYPE: INSTALLATION/REWORK		PART NUMBER: 0002077575	
DRAWING NUMBER: 12648A00		REV: 4	
SIZE: A		SHT: 1 OF 1	