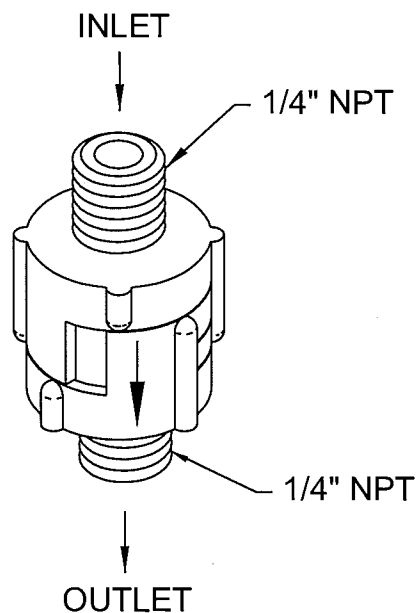


SERVICING INSTRUCTIONS


IF VALVE IS NOT DRAINING PROPERLY, MAKE SURE VALVE IS FREE OF DEBRIS AND OBSTRUCTIONS. REPLACE IF CRACKED OR DAMAGED.

IF INSTALLING THIS CHECK VALVE INTO AN OLDER UNIT WITH 1/8" NPT CONNECTIONS, NSF-61 LISTED ADAPTERS WILL BE NEEDED. ADAPTER CONFIGURATION REQUIRED: 1/8" NPT (M) X 1/4" NPT (F)

NOTE FLOW DIRECTION ARROW, BE SURE TO INSTALL CORRECTLY.



5815 CHECK VALVE

| | | | |
|---|---|---|----------------------------|
|  | | 1455 KLEPPE LANE SPARKS, NEVADA 89431 (775) 359-4712 FAX (775) 359-7424 E-MAIL: HAWS@HAWS.CO.COM WEBSITE: WWW.HAWS.CO.COM | |
| | | ECN NO. REVISED PER BY: MODEL(S) ECN: 4415 PKN 5815 | PART NUMBER: 0002077513 |
| DRAWN: P. NORBERG DATE: 07-09-10 CHECKED: [Signature] DATE: 7/10 | CHECK VALVE, 1/4" NPT SCALE: N/A DRAWING TYPE: INSTALLATION | DRAWING NO.: 16027A REV: 0 | SIZE: A SHEET 1 OF 1 |