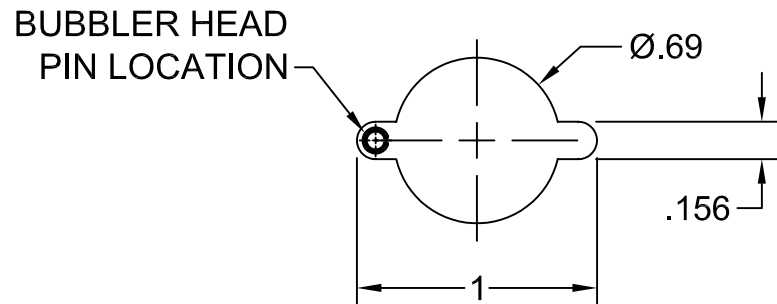
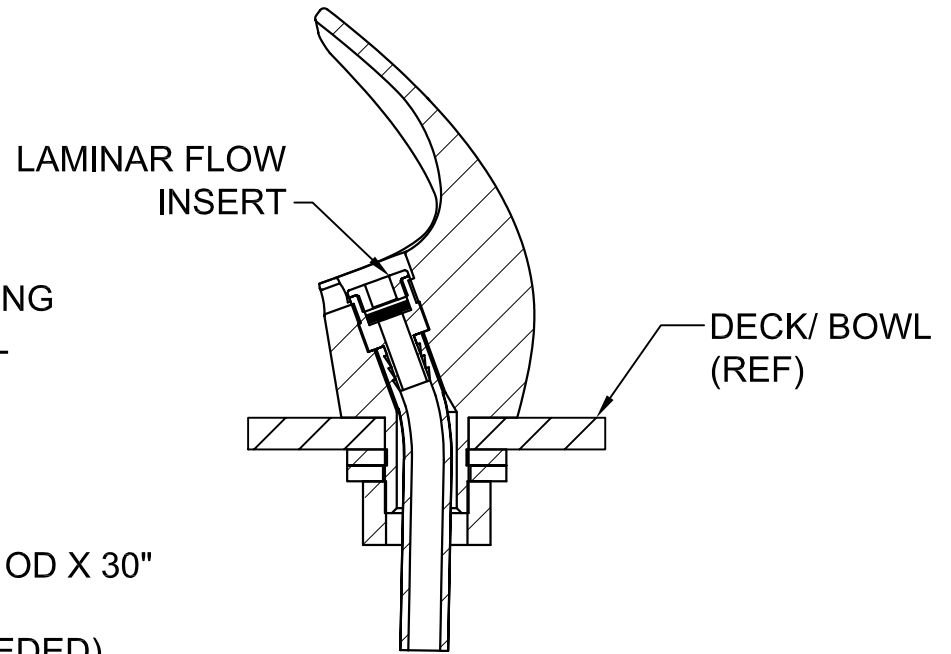
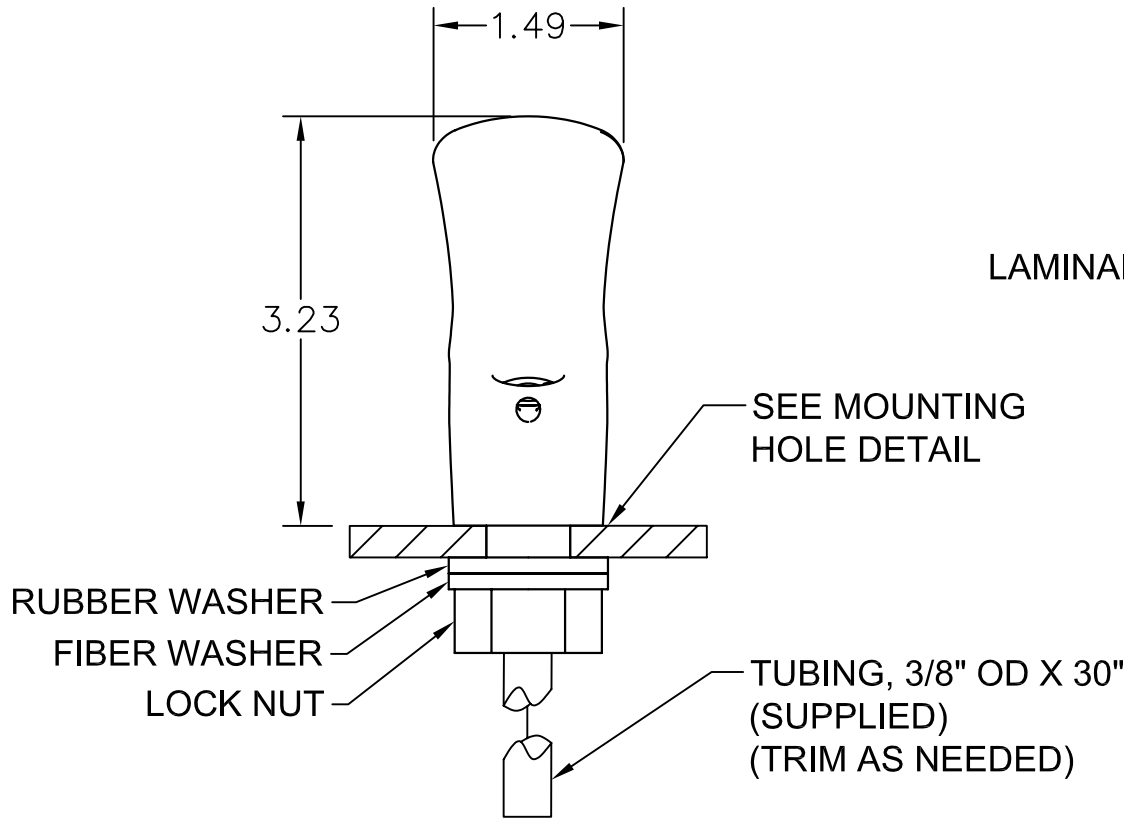


NOTES:

1. BUBBLER HEAD AND INSERT ARE SIZED TO FLOW AT .4 GALLONS PER MINUTE.



MOUNTING HOLE DETAIL

		1455 KLEPPE LANE SPARKS, NEVADA 89431 (775) 359-4712 FAX (755) 359-7424 E-MAIL: HAWS@HAWS.CO.COM WEBSITE: WWW.HAWS.CO.COM	
		ECN NO. REVISED PER BY: MODEL(S) ECN: 4443 BW	PART NUMBER 0002077531
DRAWN: JF APPROVED:	DATE: 12/02 DATE:	CHKD.: DATE:	5705 BUBBLER HEAD ASSEMBLY
SCALE: 1:1		DRAWING TYPE: INSTALLATION	SIZE: A SHEET 1 OF 1