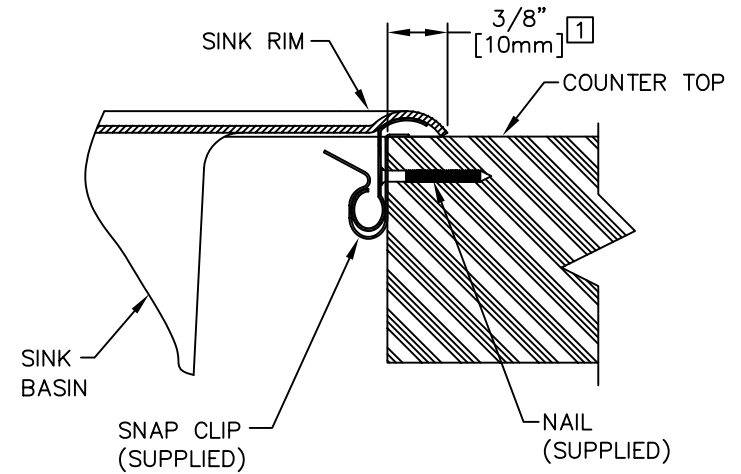
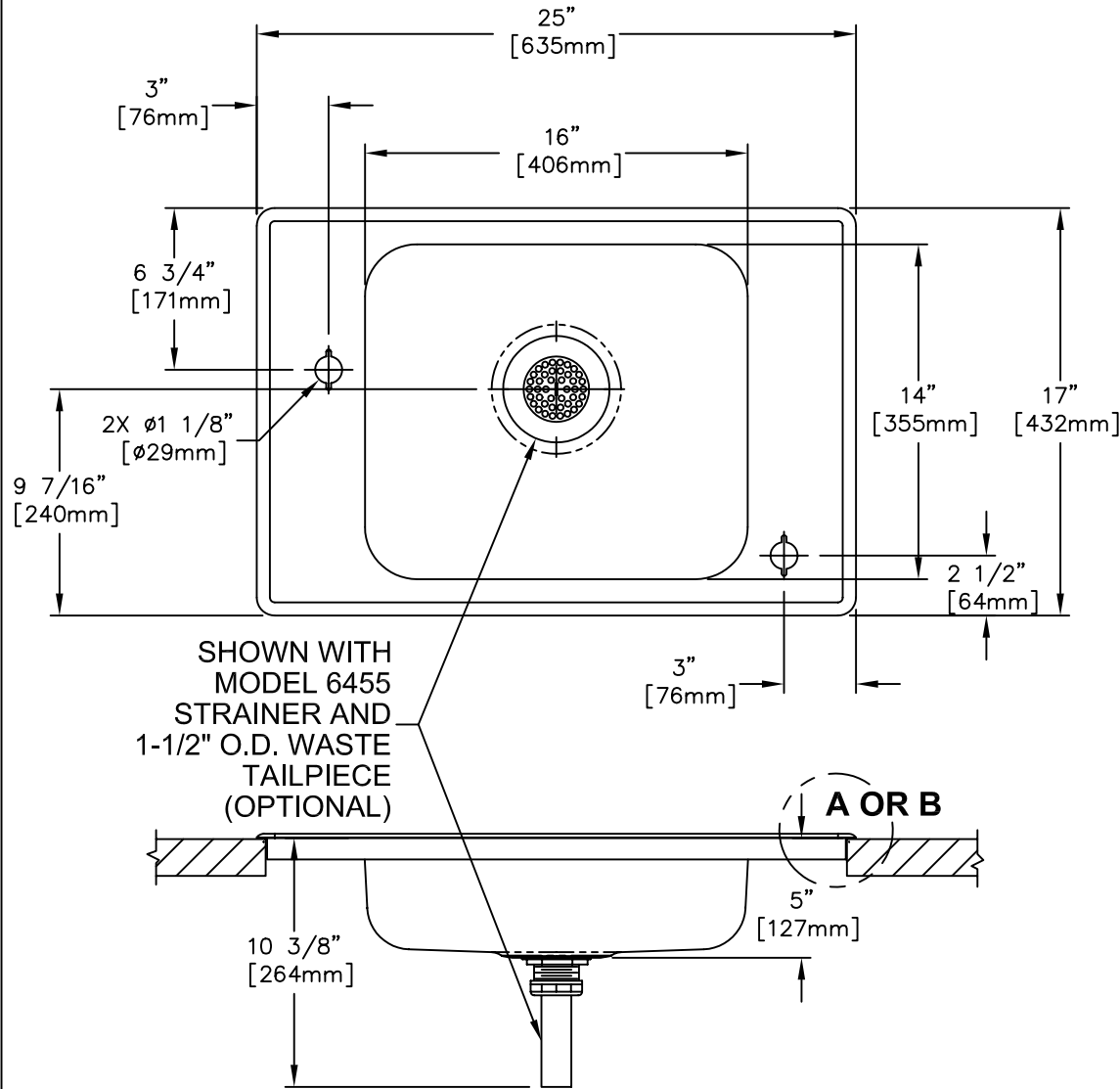
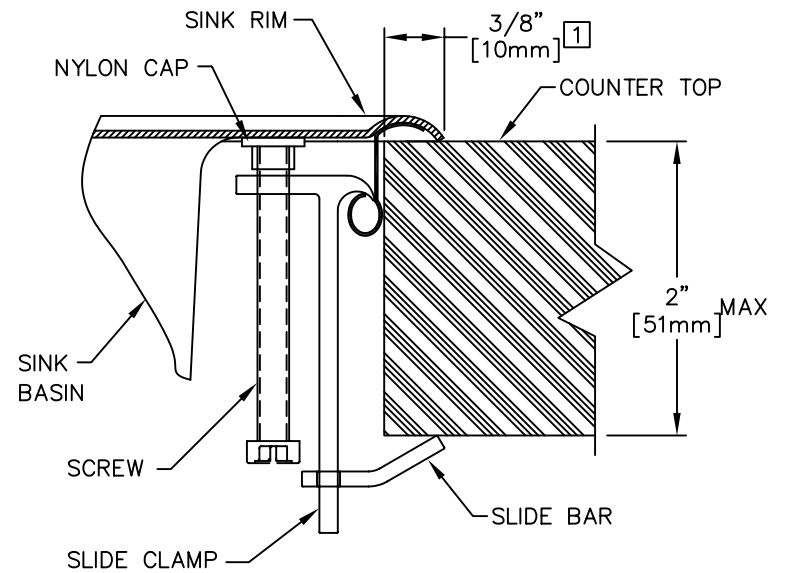


THIS DOCUMENT IS TRUE AND CORRECT AT TIME OF PUBLICATION. CONTINUED PRODUCT IMPROVEMENTS MAKE SPECIFICATIONS AND MEASUREMENTS SUBJECT TO CHANGE WITHOUT NOTICE.



DETAIL A
SNAP CLIP MOUNTING SYSTEM (STANDARD)



DETAIL B
ADJUSTABLE SINK CLAMP MOUNTING SYSTEM
(OPTIONAL) P/N 0001690117

NOTE:

- 1 MAKE SURE CUTOUT IS 3/8" LESS THAN SINK RIM AROUND ALL EDGES.
CAUTION: DO NOT CUT HOLE IN COUNTERTOP UNTIL SINK IS AT HAND.

		1455 KLEPPE LANE SPARKS, NEVADA 89431 (775) 359-4712 FAX (755) 359-7424 E-MAIL: HAWS@HAWS.CO.COM WEBSITE: WWW.HAWS.CO.COM	
		ECN NO. REVISED PER BY: ECN: 4603 HM	MODEL(S)
DRAWN: CJL	DATE: 04/93	CHKD:	DRAWING NO. REV 02042C00 17
APPROVED:	DATE:	SCALE: 1:8	DRAWING TYPE: ENVELOPE
4210		SIZE: A	SHEET 1 OF 1