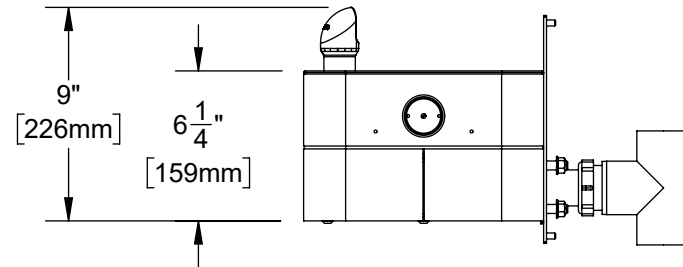
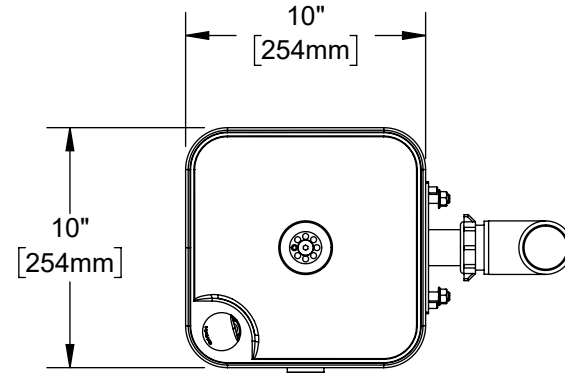
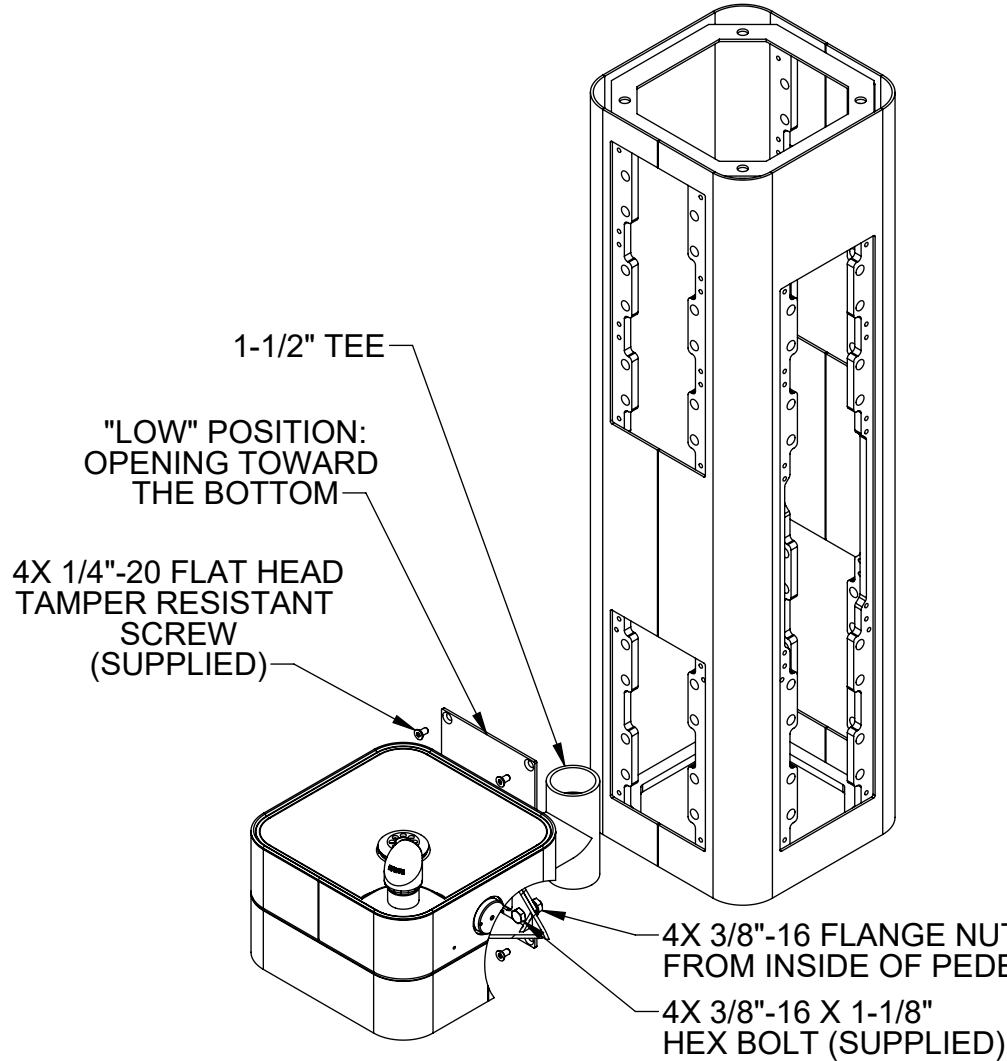


**NOTES**

1. WHEN INSTALLING THIS UNIT, LOCAL, STATE, OR FEDERAL CODES SHOULD BE ADHERED TO. FOR INSTALLATION HEIGHTS OTHER THAN SHOWN, DIMENSIONS MARKED (\*) MUST BE ADJUSTED ACCORDINGLY. INSTALL A TRAP IN THE WASTE LINE AND A SCREWDRIVER STOP IN THE SUPPLY LINE IF REQUIRED.
2. IF NECESSARY FOR INSTALLATION, BOWL CAN BE REMOVED BY REMOVING THE SCREW IN THE CENTER OF THE BOWL.

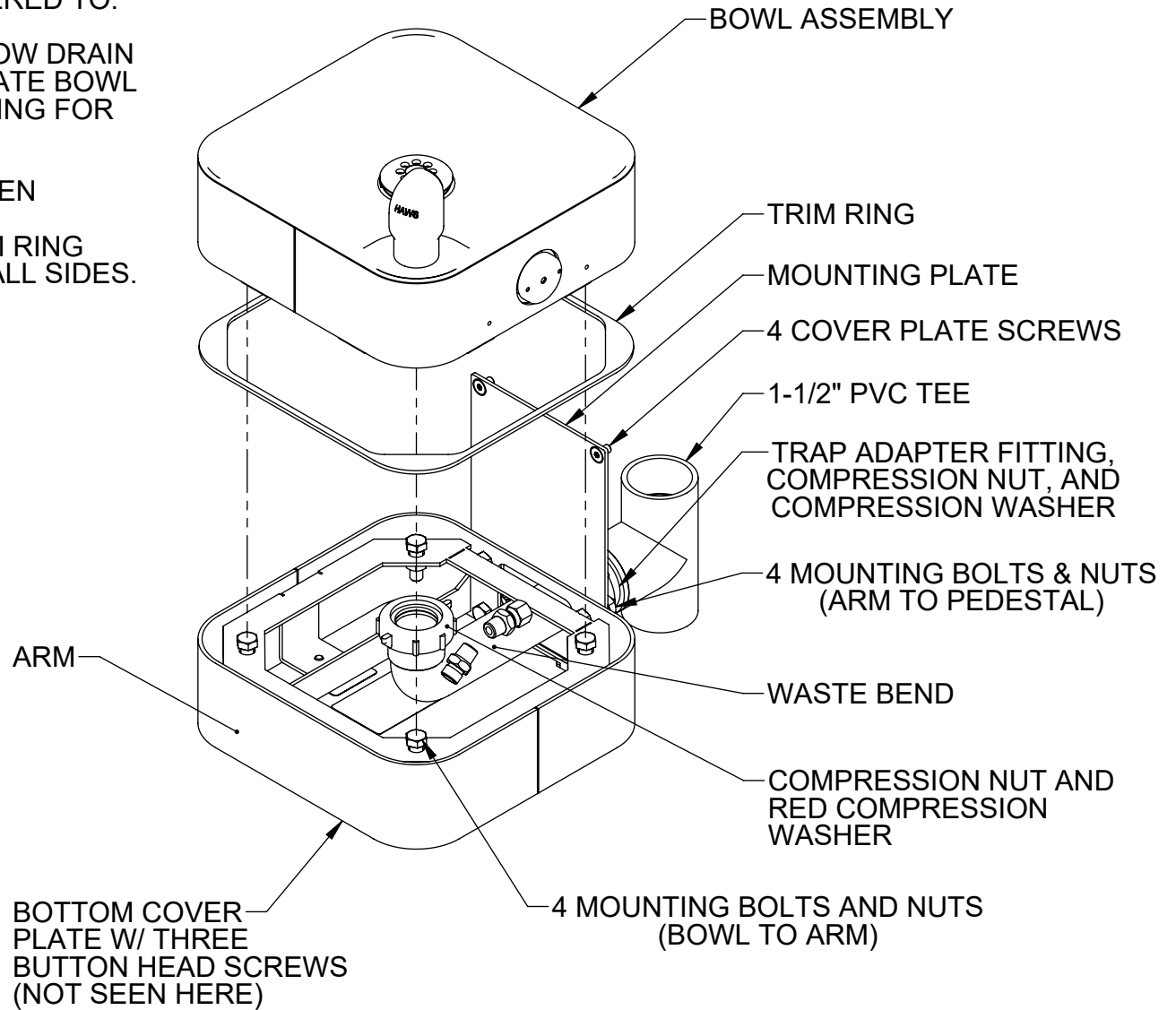


NOTE: STANDARD CONFIGURATION FOR MODEL 3670 ON A PEDESTAL IS SHOWN. IT IS RECOMMENDED THAT THE ASSEMBLY IS PLACED AT THE LOWEST OPENING ON THE PEDESTAL. THE MOUNTING PLATE CAN BE ROTATED SO THE DOG BOWL CAN BE IN A "HIGH" OR "LOW" POSITION. IT IS RECOMMENDED TO USE THE "LOW" POSITION AS SHOWN.

		1455 KLEPPE LANE SPARKS, NEVADA 89431 (775) 359-4712 FAX (775) 359-7424 E-MAIL: HAWS@HAWS.CO.COM WEBSITE: WWW.HAWS.CO.COM	
		ECN: 5226 DRAWN: MH APPROVED: FV	REV. ECN: 5925 DATE: 05/16/17 DATE: 05/31/23
PART NUMBER 0510000703.D			REVISION 5
SCALE: 1:8		DRAWING TYPE: INSTALLATION	SIZE: A
SHEET 1 OF 2			

**NOTES:**

3. WHEN INSTALLING THIS UNIT, LOCAL, STATE, OR FEDERAL CODES SHOULD BE ADHERED TO.
4. THIS PET ACCESSORY INCLUDES A SLOW DRAIN DISC UNDER THE STRAINER TO FACILITATE BOWL FILLING AND IMPROVE EASE OF DRINKING FOR PETS.
5. MANUALLY CENTER TRIM RING BETWEEN BOWL AND ARM BEFORE TIGHTENING BOWL TO ARM MOUNTING BOLTS. TRIM RING SHOULD BE SLIGHTLY RECESSED ON ALL SIDES.



 <b>Haws</b> Since 1906		1455 KLEPPE LANE SPARKS, NEVADA 89431 (775) 359-4712 FAX (775) 359-7424 E-MAIL: HAWS@HAWSO.COM WEBSITE: WWW.HAWSO.COM	
		ECN: 5226 REV. ECN: 5925 BY: FV DATE: 05/16/17 CHKD: JC APPROVED: FV DATE: 05/31/23	MODEL(S) MODEL 3670 PET BOWL ACCESSORY
SCALE: 1:8		DRAWING TYPE: INSTALLATION	
SIZE: A		SHEET 2 OF 2	