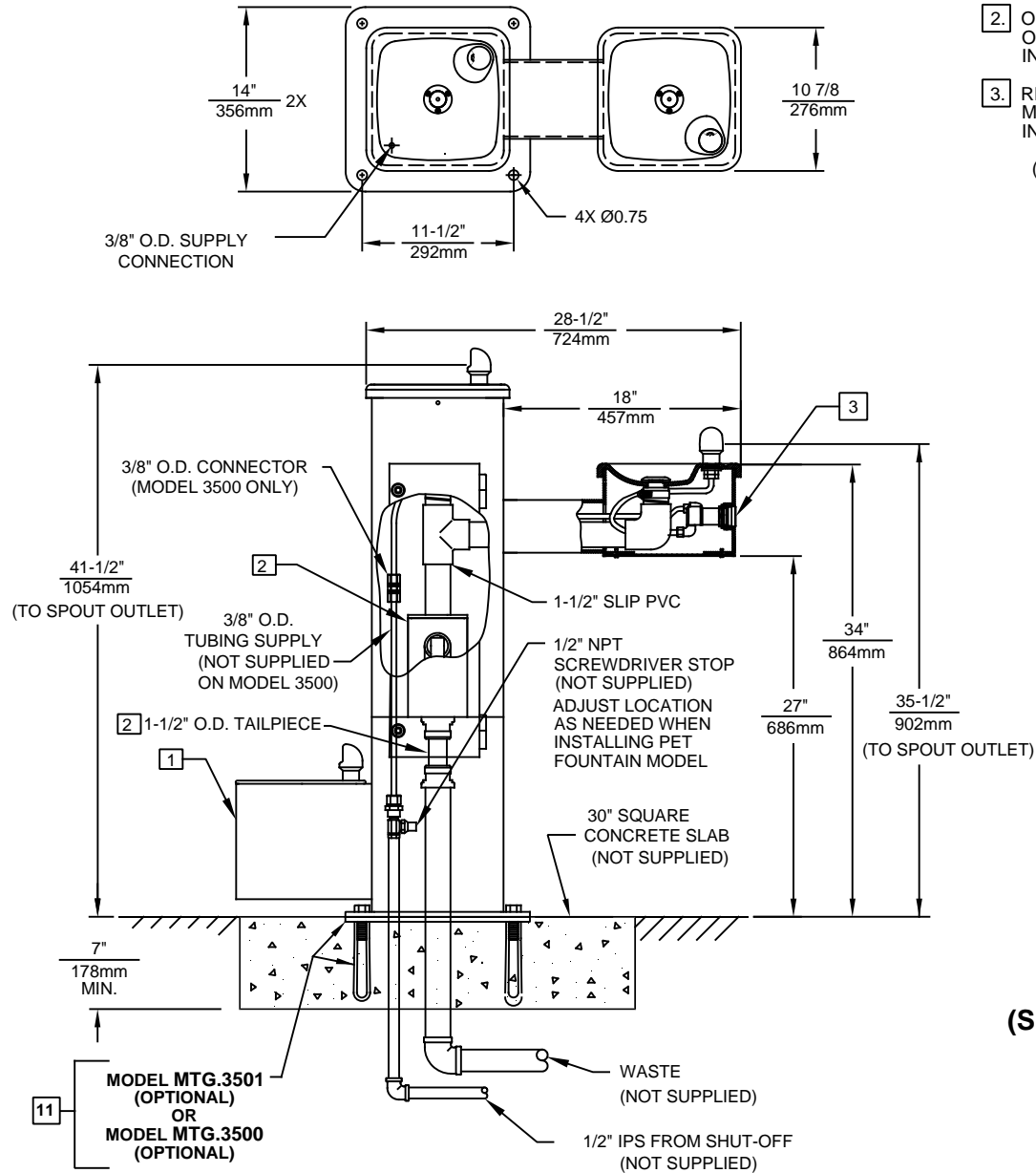



NOTES: (UNLESS OTHERWISE SPECIFIED)

1. PET FOUNTAIN IS STANDARD FOR MODEL 3500D ONLY. SEE SHEET 2 FOR INSTALLATION DETAILS.
2. OPTIONAL SAND TRAP MODEL 6635 W/ MOUNTING PLATE AND 1-1/2" O.D. TAILPIECE. SEE MODEL 6635 FOR ADDITIONAL INSTALLATION INSTRUCTIONS.
3. REFER TO 5874 SERIES OPERATION AND MAINTENANCE MANUAL FOR PUSH BUTTON AND VALVE INSTALLATION/MAINTENANCE INSTRUCTIONS.

(NOTES CONTINUED ON SHEET 2)



**MODEL 3500 SHOWN  
(SEE SHEET 2 FOR MODEL 3500D)**

		1455 KLEPPE LANE SPARKS, NEVADA 89431 (775) 359-4712 FAX (775) 359-7424 E-MAIL: HAWS@HAWSO.COM WEBSITE: WWW.HAWSO.COM	
		ECN NO. REVISED PER BY: MODEL(S) ECN: 5253 JP	3500/3500D
DRAWN: DATE: CHKD.: F. VASQUEZ 02-04-99 GC	APPROVED: DATE: FV 11/22/17		REVISION 16
SCALE: 1:13		DRAWING TYPE: INSTALLATION	SIZE: A SHEET 1 OF 2

4 SLIDE DOWELS ON DOG BOWL INTO HOLES OF PEDESTAL AND ROTATE UPWARD.

5 INSTALL 7/16-14UNC NUT ON STUD AND TIGHTEN 3/4 TURN PAST HAND TIGHT.

6 BOND JOINTS WITH PVC CEMENT AND PRIMER.

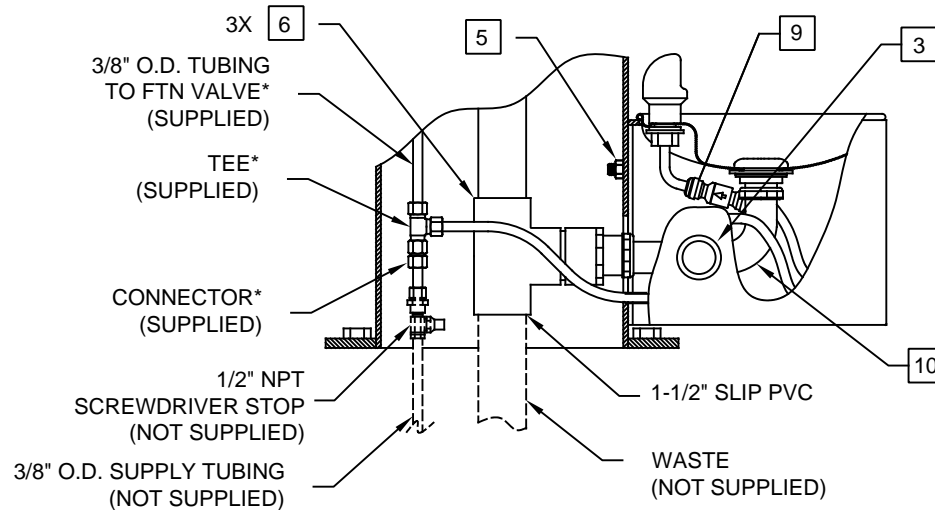
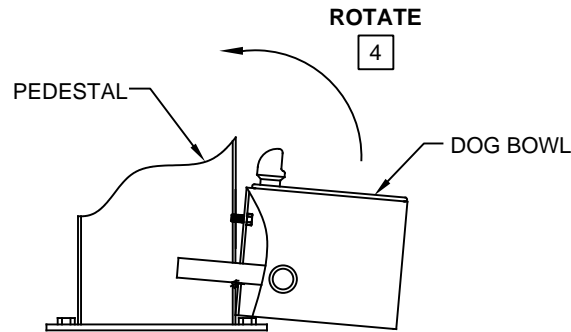
7. APPLY SUPPLY HOSE AND WASTE LINE.

8. TEST SYSTEM AFTER ASSEMBLY.

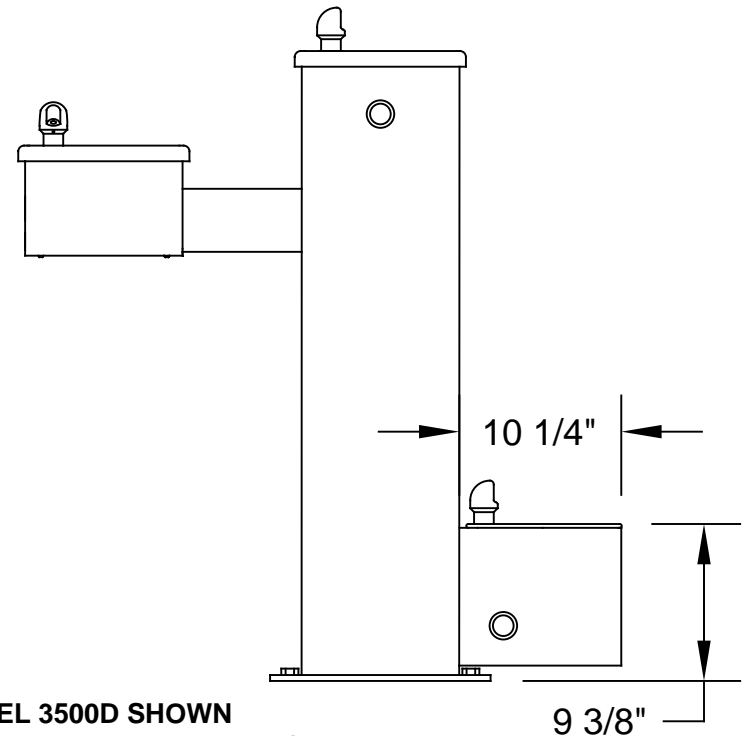
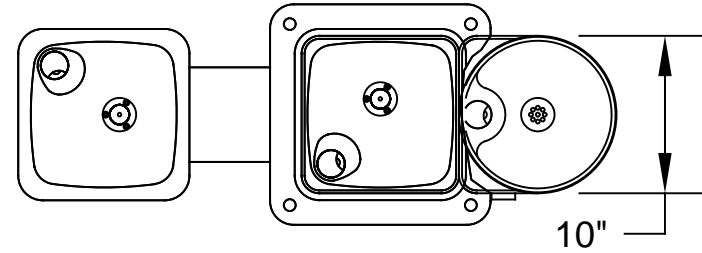
9 A CHECK VALVE IS INSTALLED IN THIS LOCATION TO PREVENT CROSS CONNECTION BETWEEN BUBBLERS.

10 NOTE: DRAINAGE ASSEMBLY SLIDES VERTICALLY ON HOLDER. UPON COMPLETION OF INSTALLATION, PUSH UP ON BOTTOM OF ELBOW TO ENSURE POSITIVE DRAINAGE OF WASTE.


11 MOUNTING HARDWARE NOT SUPPLIED. SEE PARTS BREAKDOWN DRAWING FOR HARDWARE SUPPLIED WITH EACH OPTIONAL KIT.



**\*NOTE: TEE SHOWN ASSEMBLED FOR REFERENCE ONLY. POSITION TEE AND TRIM TUBING AS NEEDED TO FIT INSTALLATION APPLICATION.**



**MODEL 3500D SHOWN  
(SEE SHEET 1 FOR MODEL 3500)**

 <b>Haws</b> <sup>®</sup>		1455 KLEPPE LANE SPARKS, NEVADA 89431 (775) 359-4712 FAX (775) 359-7424 E-MAIL: HAWS@HAWSCO.COM WEBSITE: WWW.HAWSCO.COM	
ECN NO.	REVISED PER	BY:	MODEL(S)
	ECN: 5253	JP	3500/3500D
DRAWN:	DATE:	CHKD.:	PART NUMBER
M.F.	06-06-00	GC	0002077448.D
APPROVED:	DATE:	SCALE:	REVISION
FV	11/22/17	1:12	16
DRAWING TYPE:		INSTALLATION	SHEET 2 OF 2