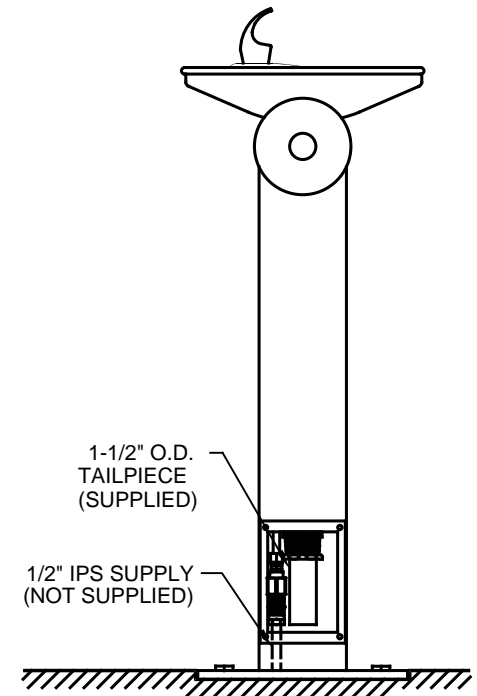
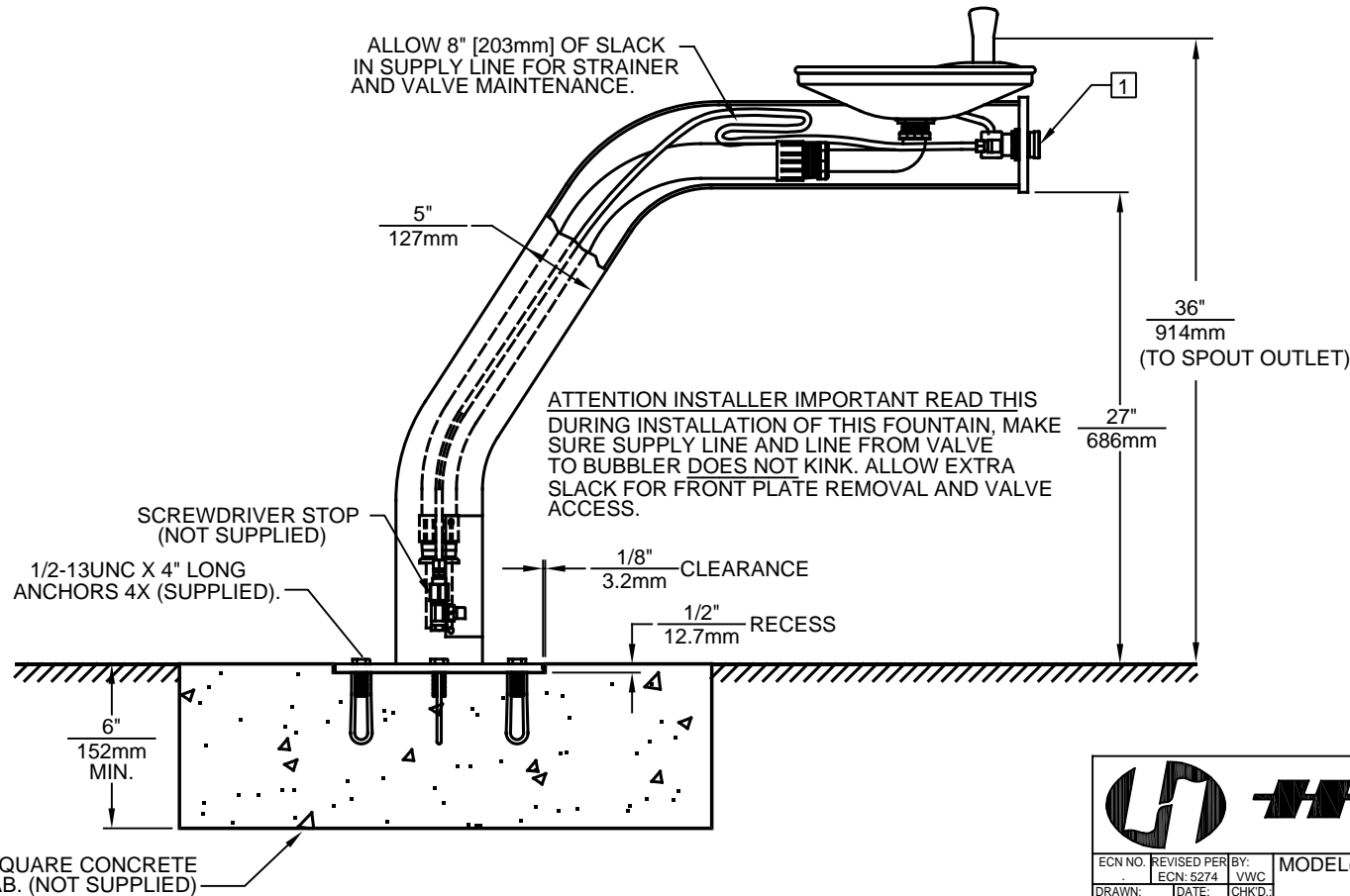
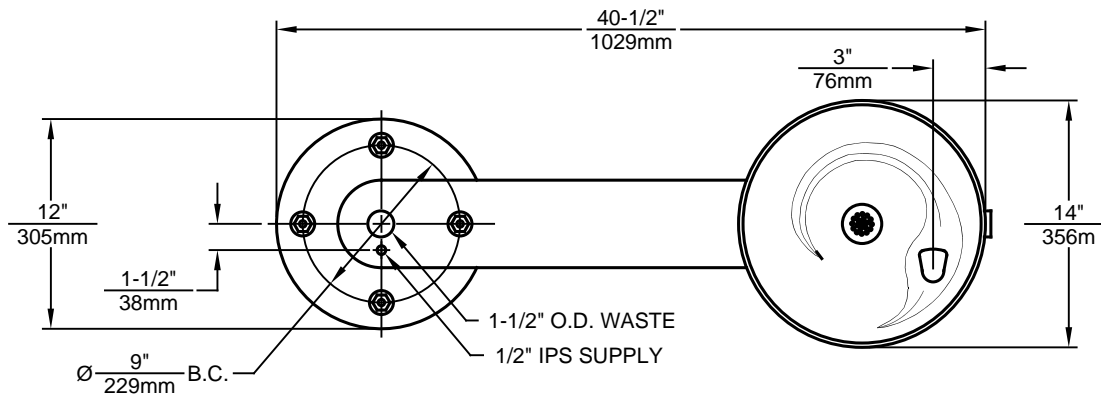



NOTES:

- 1 REFER TO 5874 SERIES OPERATION AND MAINTENANCE MANUAL FOR PUSH BUTTON AND VALVE INSTALLATION/ MAINTENANCE INSTRUCTIONS.



		Haws [®]		1455 KLEPPE LANE SPARKS, NEVADA 89431 (775) 359-4712 FAX (775) 359-7424 E-MAIL: HAWS@HAWS.CO.COM WEBSITE: WWW.HAWS.CO.COM	
				ECN NO. REVISED PER BY: MODEL(S) ECN: 5274 VWC	3380/3380G
DRAWN: C. HAYES APPROVED: FV	DATE: 07/27/92 DATE: 02/23/18	CHKD.: VWC DATE:	SCALE: 1:12	DRAWING TYPE: INSTALLATION	SIZE: A
					SHEET 1 OF 1