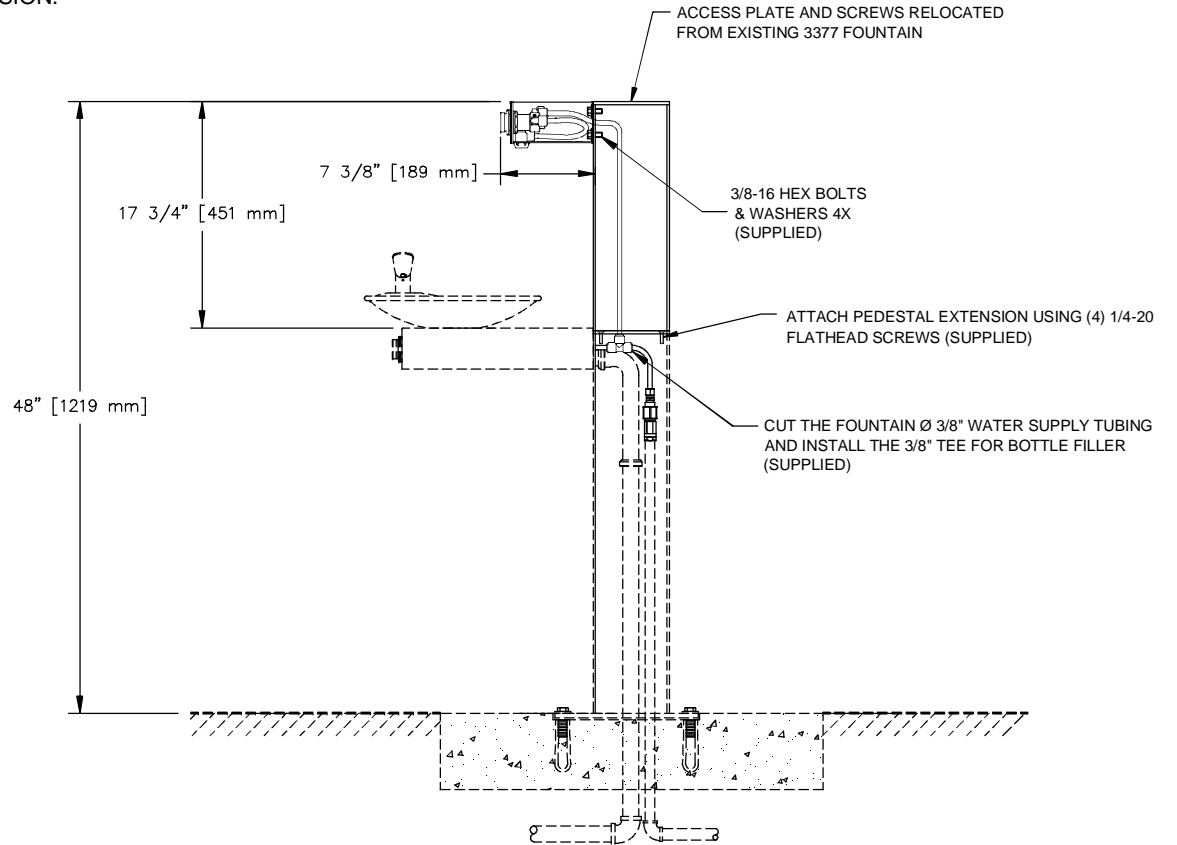
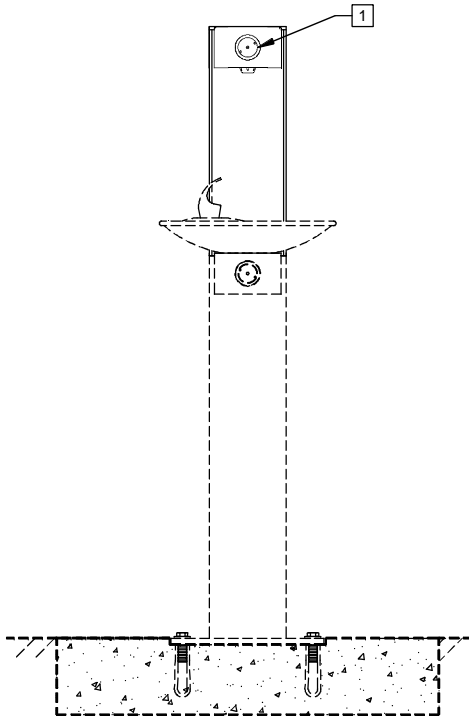
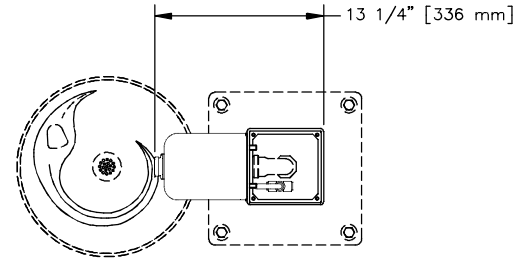


**INSTALLATION INSTRUCTIONS:**

- 1) VERIFY THAT THE WATER SUPPLY IS SHUT OFF TO THE FOUNTAIN.
- 2) REMOVE THE ACCESS PLATE FROM THE EXISTING 3377 PEDESETAL. CUT THE EXISTING 3/8" PLASTIC WATER SUPPLY LINE AND INSTALL THE 3/8" TEE WITH THE 24" TUBE EXTENSION COMING OUT THE TOP.
- 3) FEED THE WATER SUPPLY TUBE THROUGH HOLE IN THE BOTTOM PLATE OF THE PEDESTAL EXTENSION. BOLT THE PEDESTAL EXTENSION ONTO THE 3377 FOUNTAIN USING THE (4) 1/4-20 FLATHEAD BOLTS PROVIDED. A BALL-END HEX WRENCH IS RECOMMENDED FOR BOLT INSTALLATION.
- 4) INSTALL THE BOTTLE FILLER BRACKET ONTO THE PEDESTAL USING THE (4) 3/8-16 HEX BOLTS PROVIDED. CONNECT THE SUPPLY LINE TUBE TO THE PUSH BUTTON VALVE.
- 5) RE-INSTALL THE ACCESS PLATE ON TOP THE PEDESTAL EXTENSION.



**NOTES:**

- 1 REFER TO 5874HF OPERATION AND MAINTENANCE MANUAL FOR PUSH BUTTON AND VALVE INSTALLATION/MAINTENANCE INSTRUCTIONS.

		<b>Haws</b> <sup>®</sup>		1455 KLEPPE LANE SPARKS, NEVADA 89431 (775) 359-4712 FAX (775) 359-7424 E-MAIL: HAWS@HAWS.CO.COM WEBSITE: WWW.HAWS.CO.COM	
				ECN NO: 5081 DRAWN: MJ APPROVED: JL	REVISED PER BY: ECN: 5081 DATE: 06/08/16 DATE: 06/22/16
SCALE: 1:15		DRAWING TYPE: INSTALLATION		SIZE: A SHEET 1 OF 1	