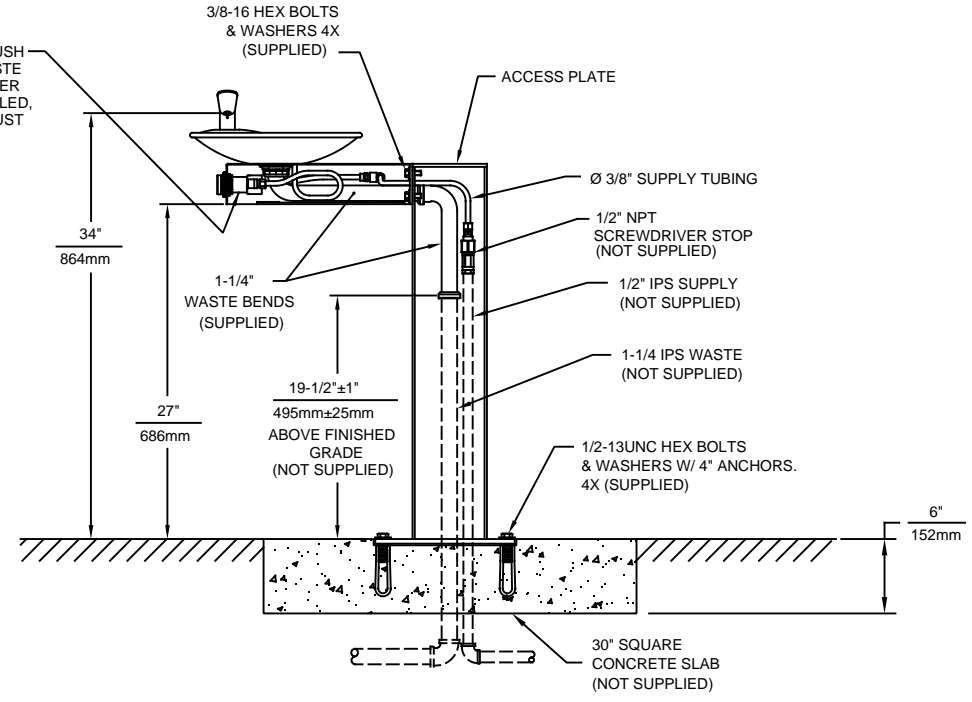



REMOVE VALVE FROM PUSH BUTTON TO INSTALL WASTE ELBOW ONTO BOWL. AFTER WASTE ELBOW IS INSTALLED, REINSTALL VALVE & ADJUST FLOW



NOTES:  
 1 REFER TO 5874 SERIES OPERATION AND MAINTENANCE MANUAL FOR PUSH BUTTON AND VALVE INSTALLATION/MAINTENANCE INSTRUCTIONS.



**Haws**

1455 KLEPPE LANE  
 SPARKS, NEVADA 89431  
 (775) 359-4712 FAX (775) 359-7424  
 E-MAIL: HAWS@HAWS.CO.COM  
 WEBSITE: WWW.HAWS.CO.COM

|                         |  |                            |  |              |  |
|-------------------------|--|----------------------------|--|--------------|--|
| ECN NO. REVISED PER BY: |  | MODEL(S)                   |  | PART NUMBER  |  |
| DRAWN: RTM              |  | DATE: 05/97                |  | 3377/3377G   |  |
| APPROVED: IR            |  | DATE: 12/09/19             |  | 0002077364.D |  |
| SCALE: 1:15             |  | DRAWING TYPE: INSTALLATION |  | REVISION     |  |
|                         |  |                            |  | 15           |  |
|                         |  |                            |  | SHEET 1 OF 1 |  |