

**NOTES:**

- 1 REFER TO 5874 SERIES OPERATION AND MAINTENANCE MANUAL FOR PUSH BUTTON AND VALVE INSTALLATION/MAINTENANCE INSTRUCTIONS.
- 2 PROCEDURE FOR ASSEMBLING ARM TO PEDESTAL:  
**IMPORTANT:** L-BRACKETS ARE PRE-ASSEMBLED AND **MUST NOT** BE LOOSENED FOR ANY REASON.  
NOTES CONTINUED ON SHEET 2 OF 2.

1455 KLEPPE LANE  
SPARKS, NEVADA 89431  
(775) 359-4712 FAX (775) 359-7424  
E-MAIL: HAWS@HAWSCO.COM  
WEBSITE: WWW.HAWSCO.COM

ECN NO.	REVISED PER	BY:	MODEL(S)		PART NUMBER
	ECN: 5258	JP			0002077070.D
DRAWN:	DATE:	CHKD.:			REVISION
CJL	09/92	GC		3150	26
APPROVED:	DATE:		SCALE: 1:13	DRAWING TYPE: INSTALLATION	SHEET 1 OF 2
FV	11/23/17				

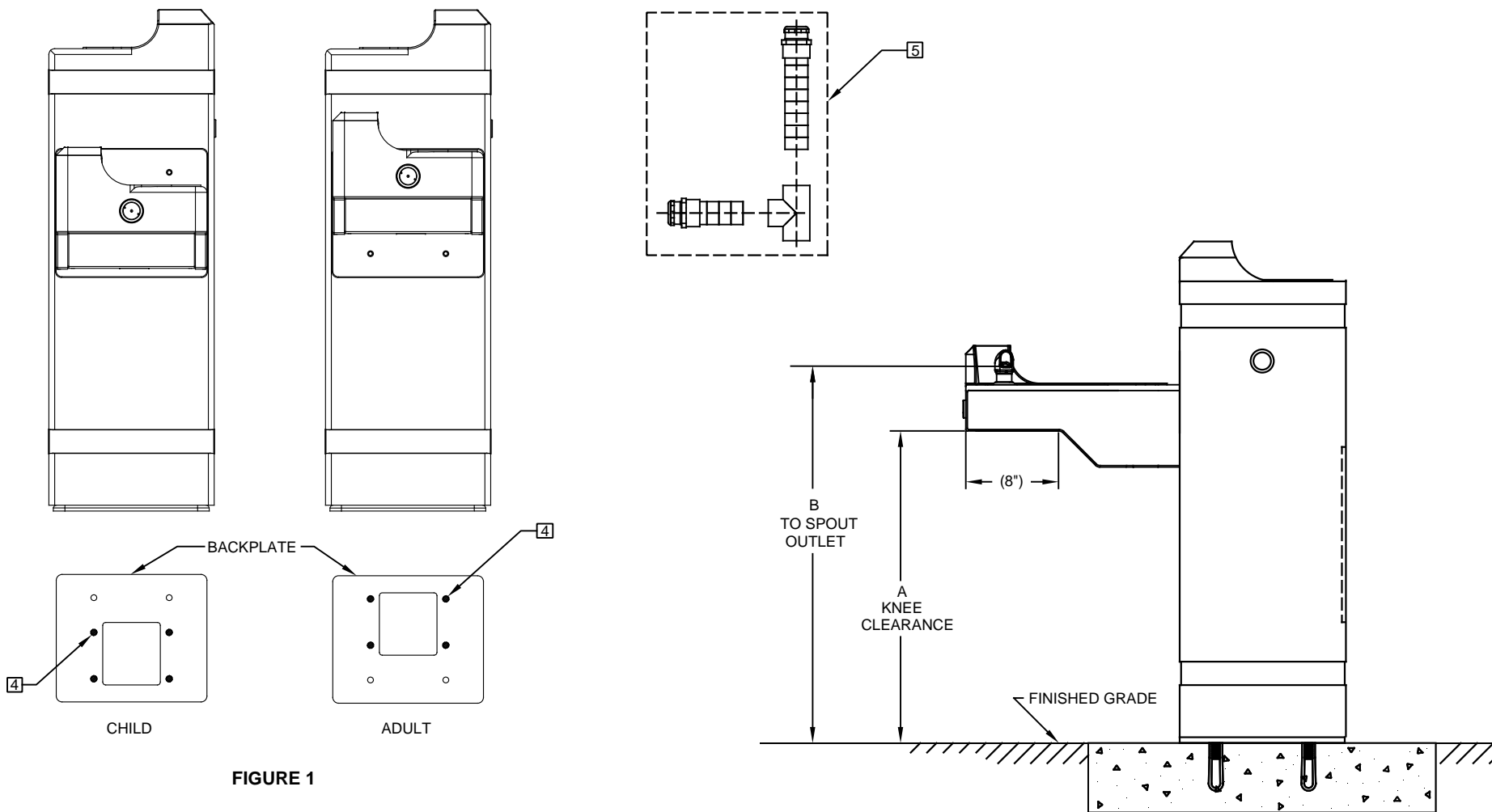


FIGURE 1

**NOTES:**

STEP 1: ATTACH ENTIRE ARM ASSEMBLY TO MOUNTING PLATE ON PEDESTAL USING THE 3/8" -16 X 1" BOLTS AND WASHERS (SUPPLIED) AND TIGHTEN SECURELY IN PLACE.

STEP 2: (OPTIONAL) APPLY CAULKING AS NEEDED TO FILL ANY GAP BETWEEN ARM AND PEDESTAL.

③ SIDE ARM IS ADJUSTABLE TO ACCOMODATE EITHER CHILD OR ADULT HEIGHTS (SEE "AVAILABLE ARM HEIGHTS" CHART).

④ BASED ON DESIRED HEIGHT (CHILD OR ADULT) OF ARM, ORIENT BACKPLATE AS SHOWN IN FIGURE 1 AND USE APPROPRIATE SHADED HOLES.

⑤ WASTE ASSEMBLY IS SUPPLIED DISASSEMBLED. THE SHORTER OF THE TWO PIECES IS FOR THE ARM DRAIN, AND MUST BE INSTALLED SO THAT ANY BEND IN THE FLEX TUBING WILL ALLOW WATER TO DRAIN COMPLETELY. THE LONGER IS FOR THE PEDESTAL DRAIN AND IS SUPPLIED AT THE LENGTH REQUIRED TO ASSEMBLE THE UNIT WITH THE ARM AT CHILD HEIGHT. IN ORDER TO ASSEMBLE AT ADULT HEIGHT, 3" MUST BE CUT FROM THE END OF THE FLEX TUBING PRIOR TO ASSEMBLY. TEE IS TO BE GLUED TO THE FLEX TUBING WASTE ARMS USING PVC PIPE CEMENT.

AVAILABLE ARM HEIGHTS		
DIM	ADULT ADA	CHILD ADA
A	27" / 686mm	24" / 610mm
B	32-3/4" / 832mm	29-3/4" / 756mm

1455 KLEPPE LANE  
SPARKS, NEVADA 89431  
(775) 359-4712 FAX (775) 359-7424  
E-MAIL: HAWS@HAWSCO.COM  
WEBSITE: WWW.HAWSCO.COM

ECN NO. REVISED PER BY:	ECN: 5258 JP	MODEL(S)		PART NUMBER
DRAWN: CJL	DATE: 09/92	CHK'D: GC	3150	0002077070.D
APPROVED: FV	DATE: 11/23/17	SCALE: 1:13	DRAWING TYPE: ENVELOPE	REVISION
				26
				SHEET 2 OF 2