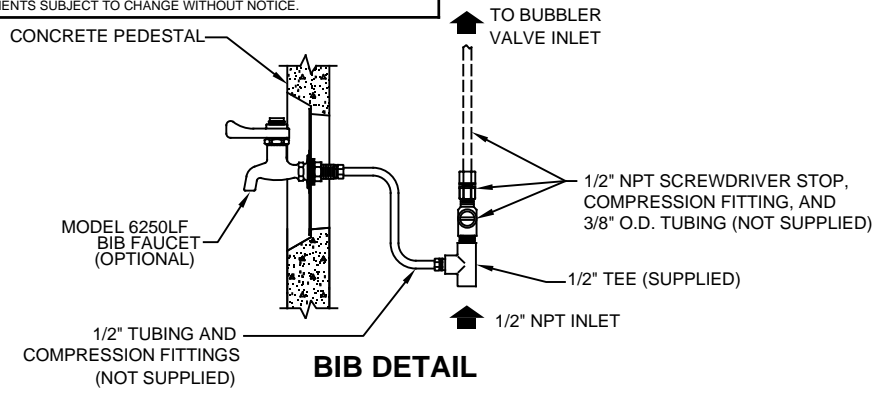
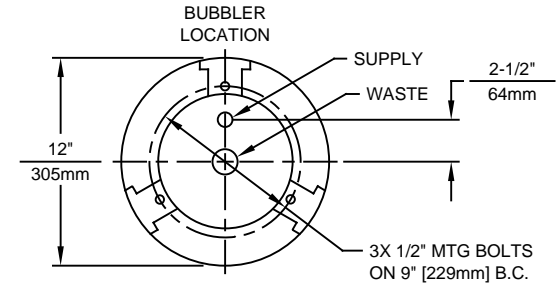


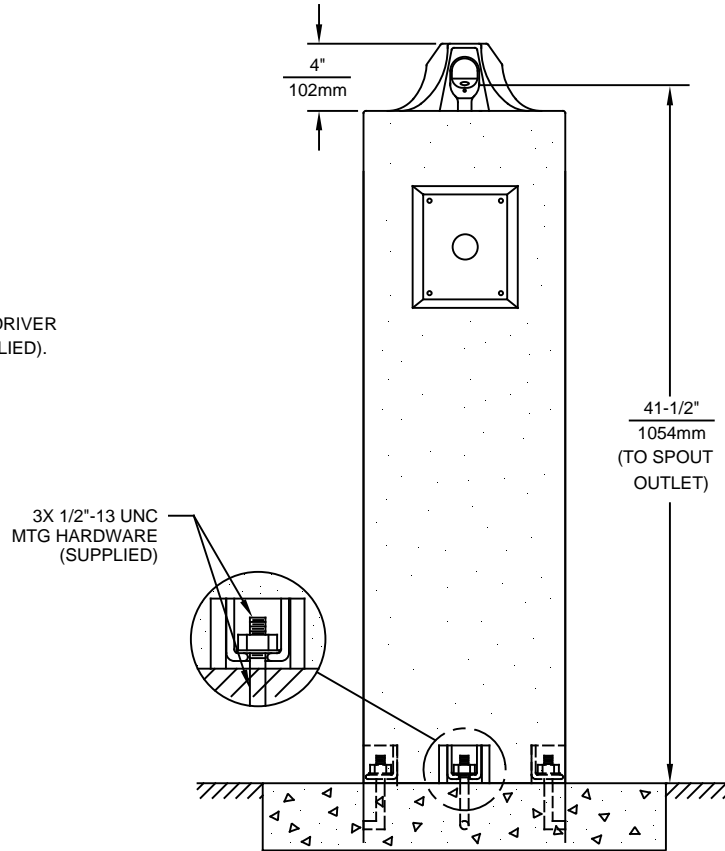
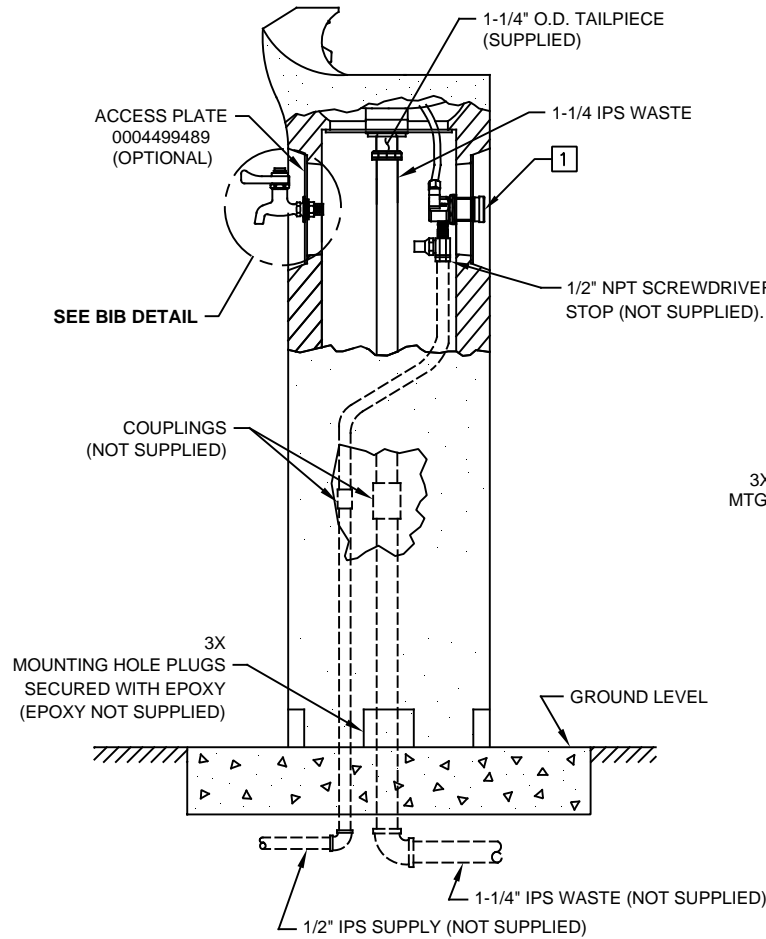
THIS DOCUMENT IS TRUE AND CORRECT AT TIME OF PUBLICATION. CONTINUED PRODUCT IMPROVEMENTS MAKE SPECIFICATIONS AND MEASUREMENTS SUBJECT TO CHANGE WITHOUT NOTICE.



BIB DETAIL



MOUNTING DETAIL



NOTES:

1 REFER TO 5874 SERIES OPERATION AND MAINTENANCE MANUAL FOR PUSH BUTTON AND VALVE INSTALLATION/MAINTENANCE INSTRUCTIONS.

		1455 KLEPPE LANE SPARKS, NEVADA 89431 (775) 359-4712 FAX (775) 359-7424 E-MAIL: HAWS@HAWS.CO.COM WEBSITE: WWW.HAWS.CO.COM	
ECN NO. REVISED PER BY:	ECN: 5286 JP	MODEL(S)	3060
DRAWN: D> OLLOM	DATE: 11/25/95	CHKD.: VWG	PART NUMBER 0002077030.D
APPROVED: FV	DATE: 03/07/18	SCALE: 12:1	REVISION 18
DRAWING TYPE: INSTALLATION		SIZE: A	SHEET 1 OF 1