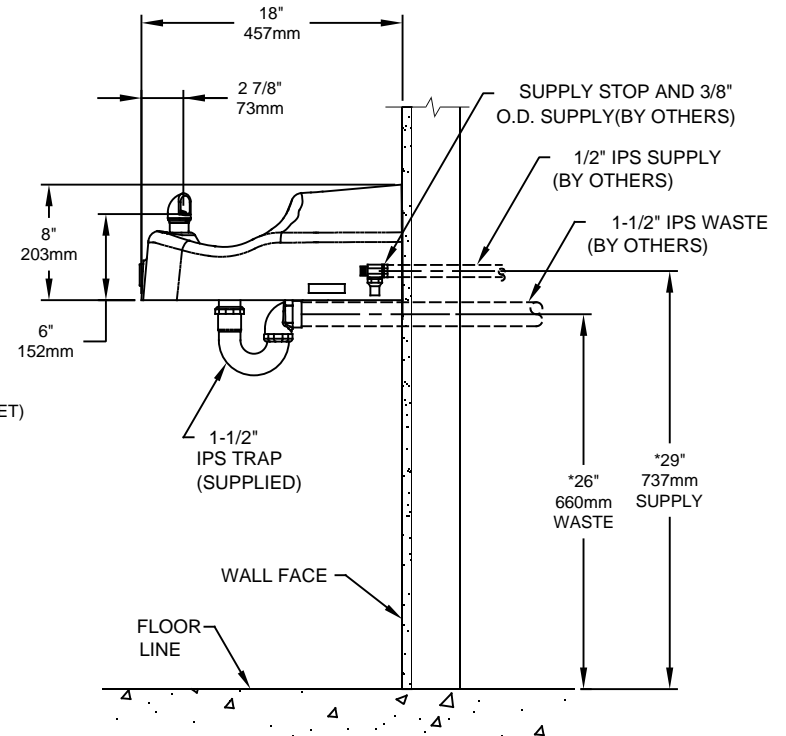
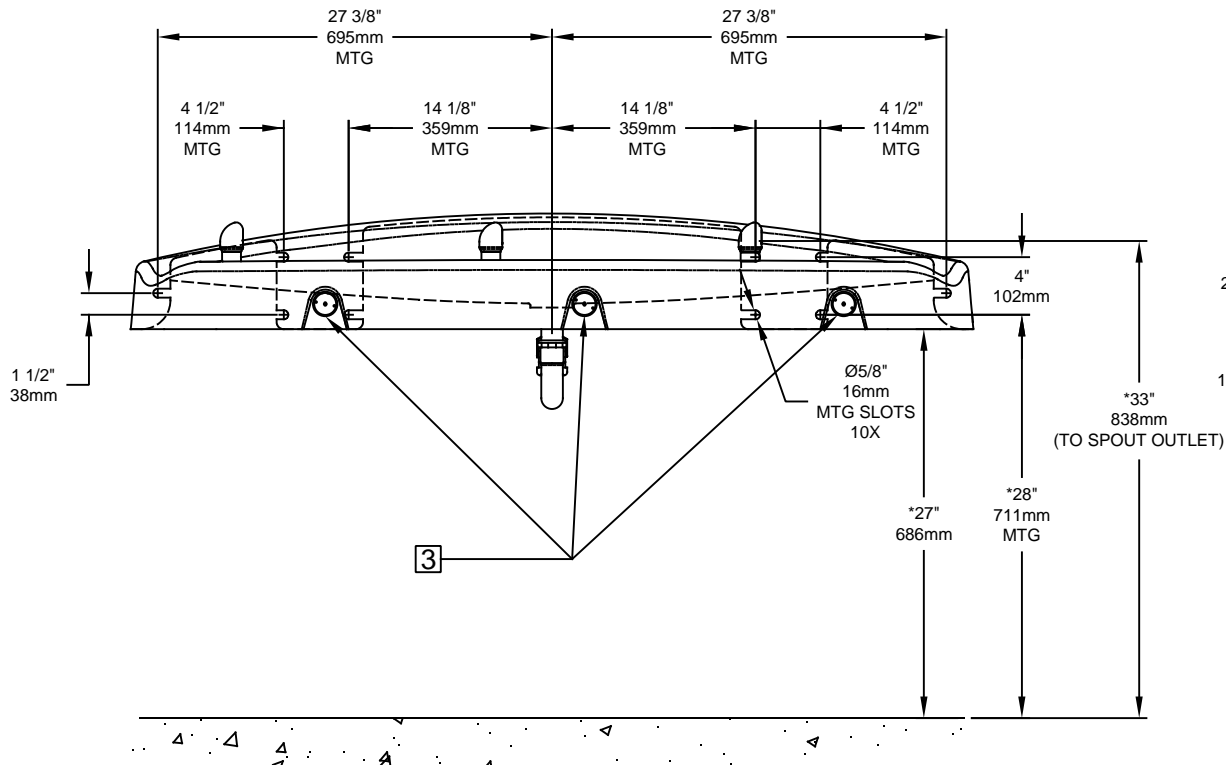



NOTES:

1. HOLD ROUGH-IN DIMENSIONS $\pm 1/4"$ (6.4mm).
2. WHEN INSTALLING THIS UNIT, LOCAL, STATE, OR FEDERAL CODES SHOULD BE ADHERED TO. FOR INSTALLATION HEIGHTS OTHER THAN SHOWN, DIMENSIONS MARKED (*) MUST BE ADJUSTED ACCORDINGLY.
- 3 REFER TO 5874 SERIES OPERATION AND MAINTENANCE MANUAL FOR PUSH BUTTON AND VALVE INSTALLATION/MAINTENANCE INSTRUCTONS.



		Haws ®		1455 KLEPPE LANE SPARKS, NEVADA 89431 (775) 359-4712 FAX (775) 359-7424 E-MAIL: HAWS@HAWSCO.COM WEBSITE: WWW.HAWSCO.COM	
ECN NO.	REVISED PER	BY:	MODEL(S)	PART NUMBER	
	ECN: 5188	JP	1409	0002077601.D	
DRAWN:	DATE:	CHKD.:	REVISION		
M. DAVIS	12-13-05	VWG	7		
APPROVED:	DATE:	SCALE:	DRAWING TYPE:	INSTALLATION	SIZE: A SHEET 1 OF 1
FV	07/06/17	1:14			