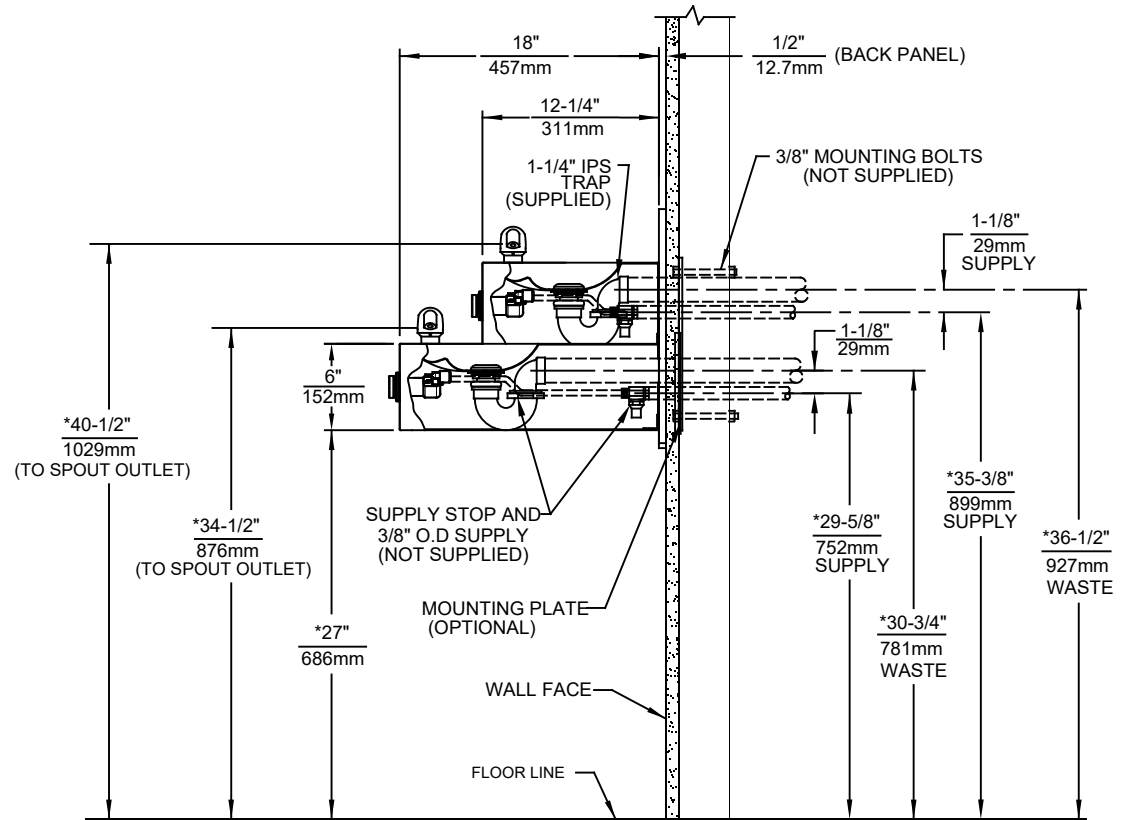
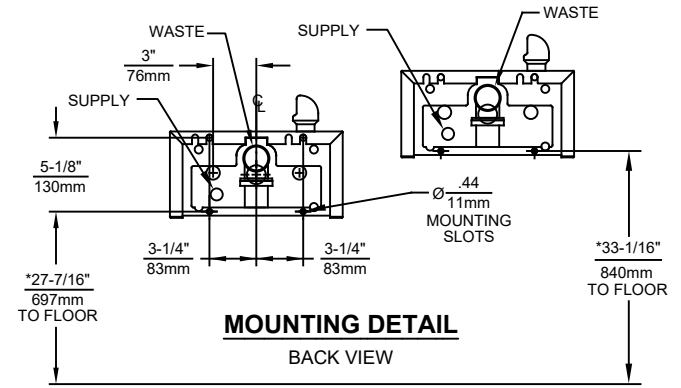


**MOUNTING PLATE**  
(OPTIONAL, HAWS 6700.4)




**NOTES:**

1. HOLD ROUGH-IN DIMENSIONS  $\pm 1/4"$  (6.4mm).
2. WHEN INSTALLING THIS UNIT LOCAL, STATE OR FEDERAL CODES SHOULD BE ADHERED TO. FOR INSTALLATION HEIGHTS OTHER THAN SHOWN, DIMENSIONS MARKED (\*) MUST BE ADJUSTED ACCORDINGLY.

[3] REFER TO 5874 SERIES OPERATION AND MAINTENANCE MANUAL FOR PUSH BUTTON AND VALVE INSTALLATION/MAINTENANCE INSTRUCTIONS.

[4] MAXIMUM ADJUSTABLE RANGE IS 15° FROM PARALLEL TO BACK OF WALL.



**Haws**<sup>®</sup>

1455 KLEPPE LANE  
SPARKS, NEVADA 89431  
(775) 359-4712 FAX (775) 359-7424  
E-MAIL: HAWS@HAWS.CO.COM  
WEBSITE: WWW.HAWS.CO.COM

ECN NO.	REVISED PER	BY:	MODEL(S)	PART NUMBER
	ECN: 5741	FV		0002076717.D
DRAWN:	DATE:	CHKD.:	1119.14	REVISION
F.VASQUEZ	04/01/04	BJM		21
APPROVED:	DATE:	SCALE:	DRAWING TYPE:	SHEET
FV	11/12/21	1:14	INSTALLATION	1 OF 1