

NOTES:

- HOLD ROUGH-IN DIMENSIONS $\pm \frac{1}{8}$ " (3.2MM).
- WHEN INSTALLING THIS UNIT, LOCAL, STATE, OR FEDERAL CODES SHOULD BE ADHERED TO. FOR INSTALLATION HEIGHTS OTHER THAN SHOWN, DIMENSIONS MARKED (*) MUST BE ADJUSTED ACCORDINGLY.

3 REFER TO 5874 SERIES OPERATION AND MAINTENANCE MANUAL FOR PUSH BUTTON AND VALVE INSTALLATION/MAINTENANCE INSTRUCTIONS.

4 ROUGH IN DIMENSIONS FOR FOUNTAIN HEIGHTS:

CHILD WHEELCHAIR HEIGHT: SEE SHT 2 FIG 1

- WASTE: 26-1/4" (667mm)
- SUPPLY: 26-1/8" (664mm)
- MOUNTING HOLE: 24-13/16" (630mm)
- FOUNTAIN: 24" (610mm)
- BUBBLER: 29-7/8" (756mm)

ADULT WHEELCHAIR HEIGHT: SEE SHT 2 FIG 2

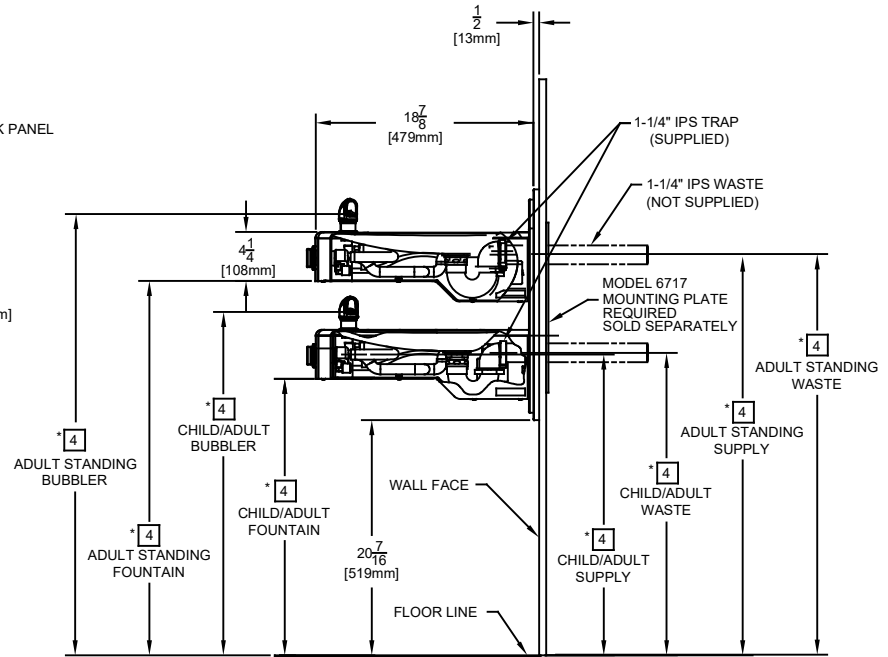
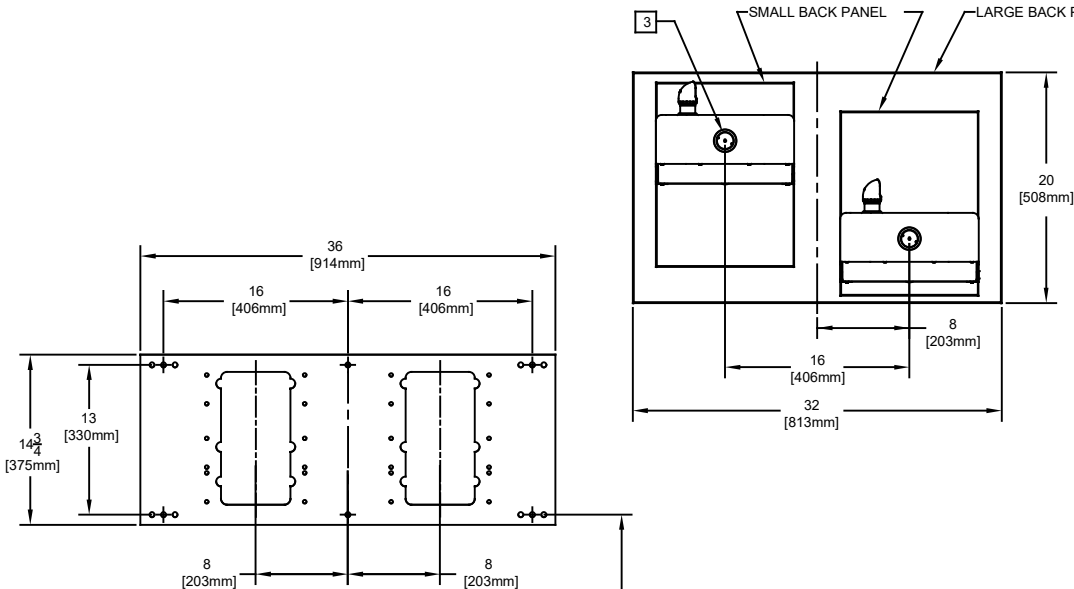
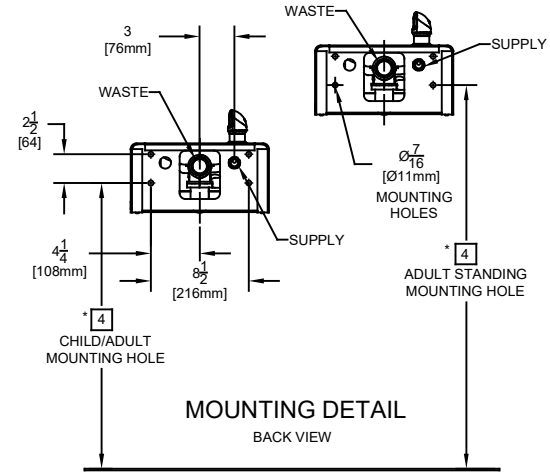
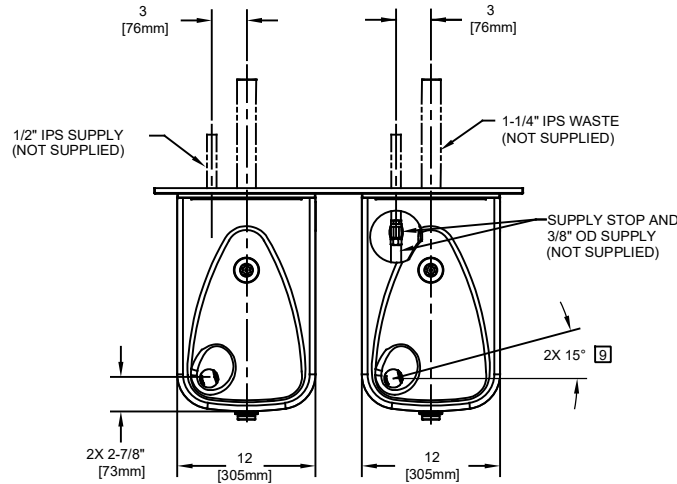
- WASTE: 29-1/4" (743mm)
- SUPPLY: 29-1/8" (740mm)
- MOUNTING HOLE: 27-13/16" (706mm)
- FOUNTAIN: 27" (686mm)
- BUBBLER: 32-7/8" (832mm)

STANDING ADULT HEIGHT: SEE SHT 2 FIG 3

- WASTE: 34-3/4" (883mm)
- SUPPLY: 34-5/8" (879mm)
- MOUNTING HOLE: 33-5/16" (846mm)
- FOUNTAIN: 32-1/2" (828mm)
- BUBBLER: 38-3/8" (972mm)

- REFER TO MODEL 1117L INSTALLATION DRAWING SHEET 2 OF 2 (ON HAWS WEBSITE WWW.HAWS.CO.COM) FOR PERMISSIBLE BOWL MOUNTING PATTERNS. **TWO WHEELCHAIR HEIGHT FOUNTAINS CANNOT BE MOUNTED SIDE BY SIDE PER ANSI A117.1.**

NOTES CONTINUED ON SHEET 2 OF 2



6717 MOUNTING PLATE
MUST BE INSTALLED BEFORE FINISH WORK
THIS PLATE IS REQUIRED - SOLD SEPARATELY.

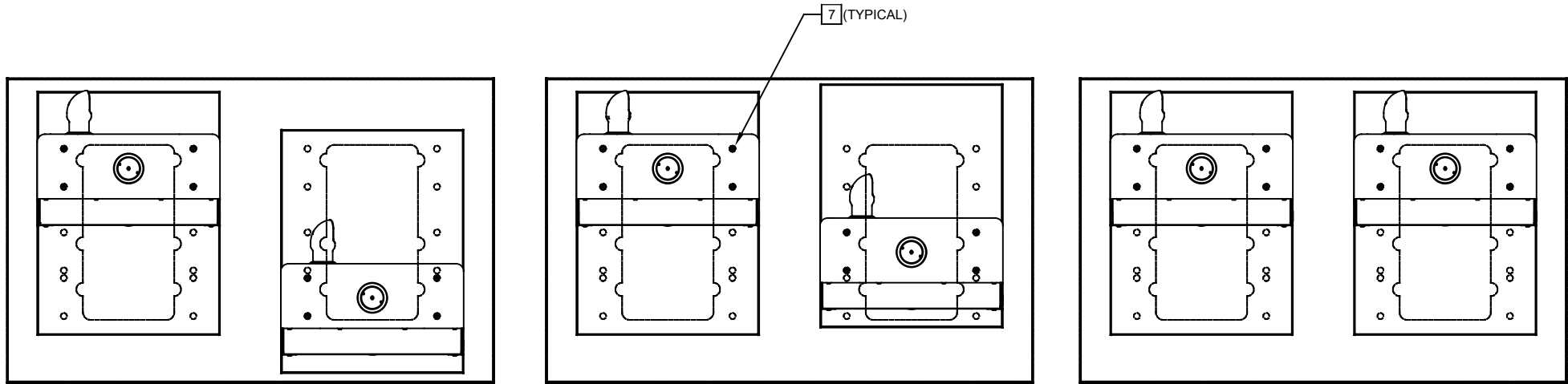
*23 11/16
[602mm]
TO FLOOR

1455 KLEPPE LANE
SPARKS, NEVADA 89431
(775) 359-4712 FAX (775) 359-7424
E-MAIL: HAWS@HAWS.CO.COM
WEBSITE: WWW.HAWS.CO.COM

ECN NO. REVISED PER BY:		MODEL(S)		PART NUMBER	
ECN: 5893 FV		1117L		0002080223.D	
DRAWN:	DATE:	CHK'D.:	REVISION		
C.FENNER	10/06	KM	17		
APPROVED:	DATE:	SCALE: 1:2		DRAWING TYPE:	SHEET 1 OF 2
FV	09/06/23	INSTALLATION		SIZE: A	

NOTES:

- 6 FIGURES 1 AND 2 ARE REVERSIBLE. CAN BE RIGHT OR LEFT SIDE HIGH.
- 7 USE SHADED HOLES TO MOUNT AT INDICATED POSITIONS BASED ON COMBINATION SELECTED (FIGS. 1 THRU 3).
- 8. REFER TO SHEET 1 OF 2 NOTE 4 FOR INSTALLED FOUNTAIN DIMENSIONS.
- 9 MAXIMUM ADJUSTABLE RANGE IS 15° FROM PARALLEL TO BACK WALL.



6

FIGURE 1.

ADULT STANDING/CHILD WHEELCHAIR

6

FIGURE 2.

ADULT STANDING/ADULT WHEELCHAIR

FIGURE 3.

ADULT STANDING/ADULT STANDING

BOWL MOUNTING PATTERNS

		1455 KLEPPE LANE SPARKS, NEVADA 89431 (775) 359-4712 FAX (775) 359-7424 E-MAIL: HAWS@HAWSCO.COM WEBSITE: WWW.HAWSCO.COM	
		ECN NO. REVISED PER BY: ECN: 5893 FV	MODEL(S) 1117L
DRAWN: C.FENNER	DATE: 12/29/06	CHK'D: KM	REVISION 17
APPROVED: FV	DATE: 09/06/23	SCALE: 1:2	DRAWING TYPE: INSTALLATION SIZE: A SHEET 2 OF 2