

NOTES:

1. HOLD ROUGH-IN DIMENSIONS ± 1/4" (6.4mm)
2. WHEN INSTALLING THIS UNIT, LOCAL, STATE OR FEDERAL CODES SHOULD BE ADHERED TO. FOR INSTALLATION HEIGHTS OTHER THAN SHOWN, DIMENSIONS MARKED (*) MUST BE ADJUSTED ACCORDINGLY.

3 REFER TO 5874 SERIES OPERATION AND MAINTENANCE MANUAL FOR PUSH BUTTON AND VALVE INSTALLATION AND MAINTENANCE INSTRUCTIONS.

4 ROUGH IN DIMENSIONS FOR FOUNTAIN HEIGHTS:

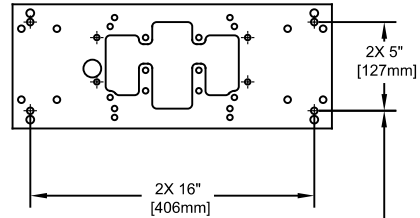
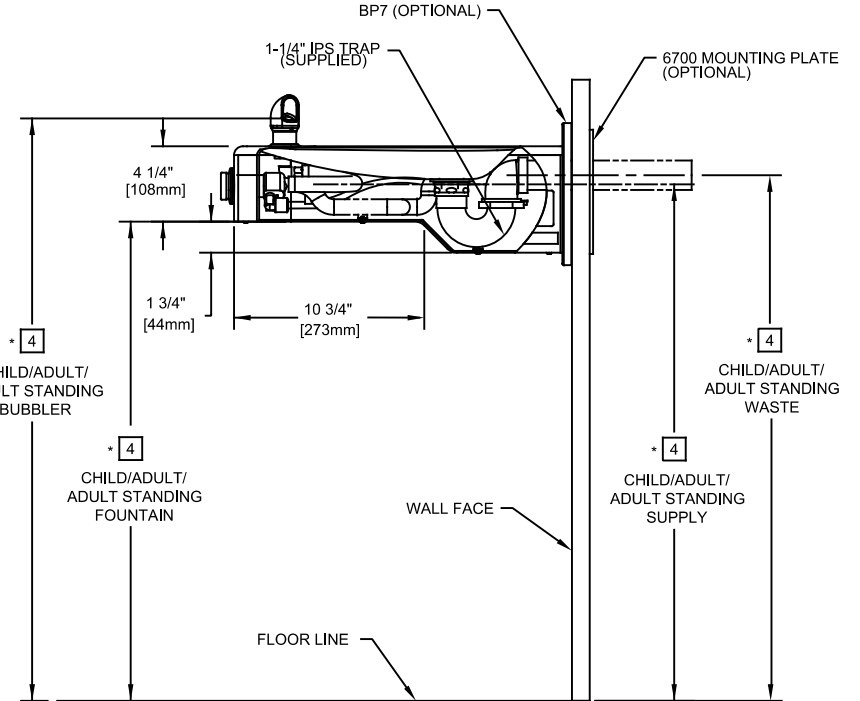
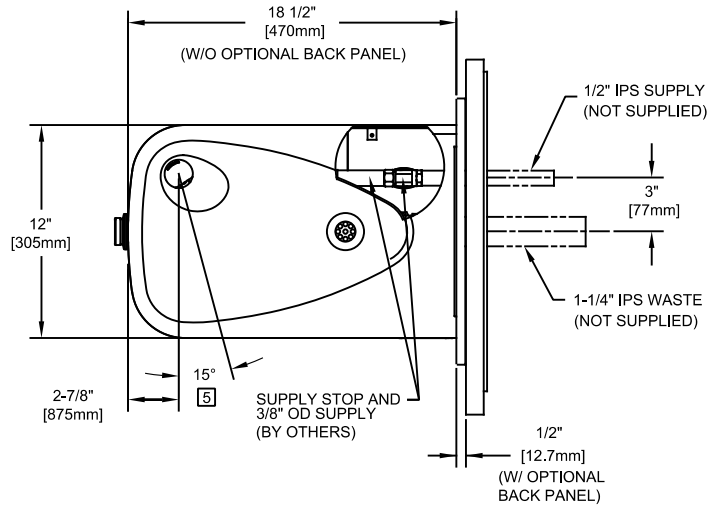
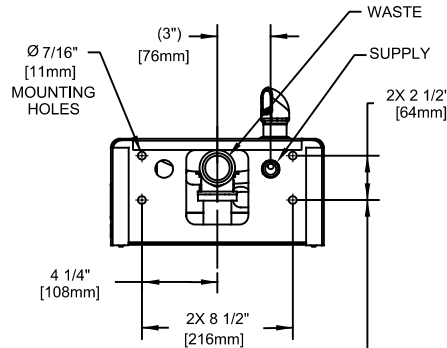
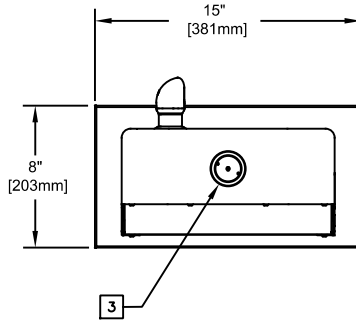
CHILD WHEELCHAIR HEIGHT: SEE SHT. 2 FIG. 1
 WASTE: 26-1/4" (667mm)
 SUPPLY: 26-1/8" (664mm)
 ** FOUNTAIN (ONLY) HOLE: 24-13/16" (630mm)
 *** MOUNTING PLATE HOLE: 23-3/16" (589mm)
 FOUNTAIN: 24" (610mm)
 BUBBLER: 29-7/8" (756mm)

ADULT WHEELCHAIR HEIGHT: SEE SHT. 2 FIG. 2
 WASTE: 29-1/4" (743mm)
 SUPPLY: 29-1/8" (740mm)
 ** FOUNTAIN (ONLY) HOLE: 27-13/16" (706mm)
 *** MOUNTING PLATE HOLE: 26-3/16" (665mm)
 FOUNTAIN: 27" (686mm)
 BUBBLER: 32-7/8" (832mm)

STANDING ADULT HEIGHT: SEE SHT. 2 FIG. 3


WASTE: 34-3/4" (883mm)
 SUPPLY: 34-5/8" (879mm)
 ** FOUNTAIN (ONLY) HOLE: 33-5/16" (846mm)
 *** MOUNTING PLATE HOLE: 31-11/16" (805mm)
 FOUNTAIN: 32-1/2" (826mm)
 BUBBLER: 38-3/8" (972mm)

5 MAXIMUM ADJUSTABLE RANGE IS 15° FROM PARALLEL TO BACK WALL.



*** MOUNTING PLATE HOLE LOCATION DETAIL (FOR OPTIONAL HAWS 6700)

** FOUNTAIN (ONLY) HOLE LOCATION DETAIL (FOR USE WITHOUT OPTIONAL MOUNTING PLATE MODEL 6700) BACK VIEW

		1455 KLEPPE LANE SPARKS, NEVADA 89431 (775) 359-4712 FAX (775) 359-7424 E-MAIL: HAWS@HAWS.CO.COM WEBSITE: WWW.HAWS.CO.COM	
ECN NO.	REVISED PER BY:	MODEL(S)	PART NUMBER
	ECN: 6148 JG	1107	0002080232.D
DRAWN:	DATE:	CHK'D:	REVISION
C.FENNER	10/25/06	JG	18
APPROVED:	DATE:	SCALE:	DRAWING TYPE:
FV	02/11/25	1:1	INSTALLATION
SIZE: A		SHEET 1 OF 1	