



# model VRKMK81A

Valve Repair Kit

## FEATURES & BENEFITS

---

## OPTIONS

---

For more information, visit [www.hawsc.com](http://www.hawsc.com) or call (888) 640-4297.



## SPECIFICATIONS

---

Model VRKMK81A is a repair kit for Model MK81A special freeze-proof valve.

## APPLICATIONS

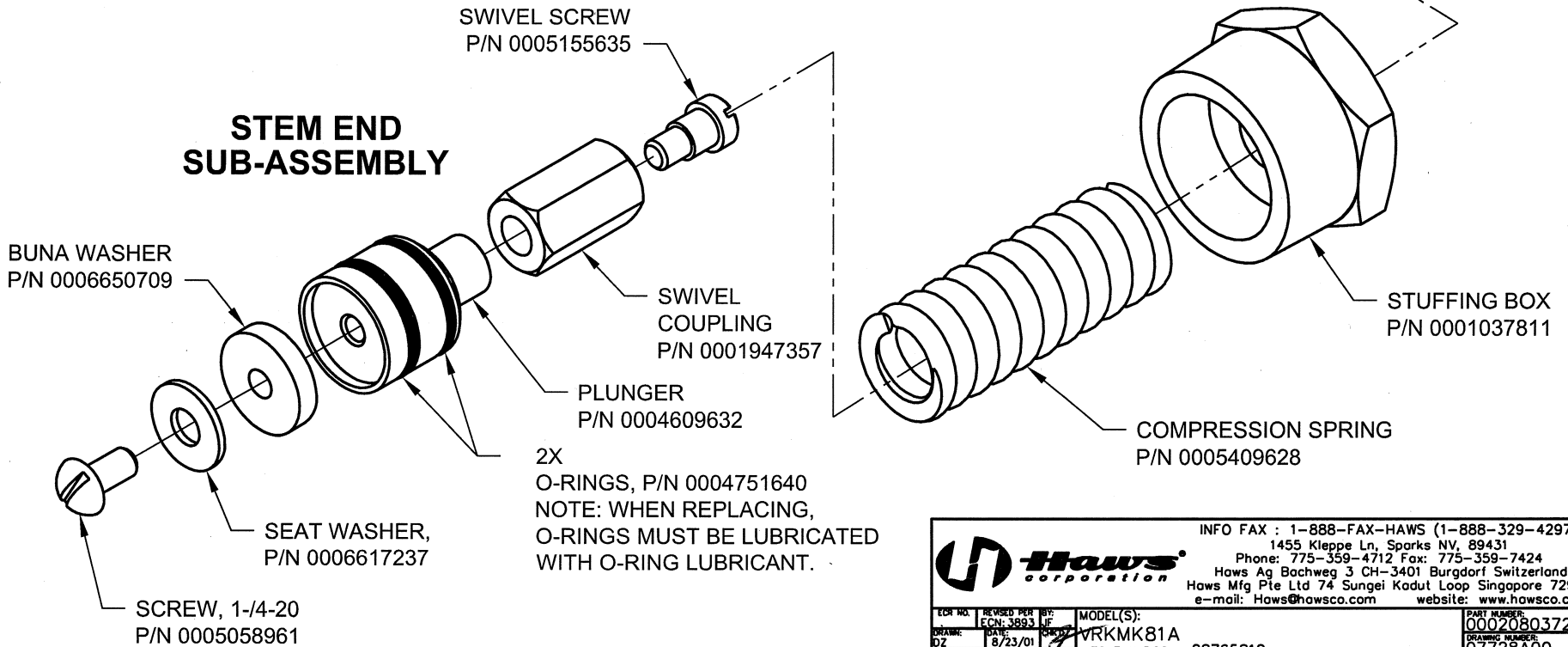
---

**ATTENTION INSTALLER:**

PLEASE COMPARE THE BRASS SPOOLS. IF THE TOP O-RING GROOVE OF THE NEW SPOOL IS ROUGHLY 1/16" LOWER THAN THE TOP O-RING GROOVE OF THE OLD SPOOL, USE YOUR OLD SPOOL, BUT REPLACE THE O-RINGS AND THE SEAT WASHER WITH THE NEW PARTS FROM THE NEW SPOOL. IF YOUR OLD SPOOL MATCHES THE NEW SPOOL, REPLACE THE COMPLETE ASSEMBLY.

**INSTALLATION INSTRUCTIONS**

1. SHUT OFF WATER SUPPLY.
2. DISCONNECT LINKAGE ASSEMBLY FROM TOP OF OLD STEM ASSEMBLY.
3. REMOVE STUFFING BOX.
4. REMOVE OLD STEM END SUB-ASSEMBLY.
5. EXAMINE SEAT AREA OF UNDERGROUND VALVE BODY FOR DAMAGE OR DEBRIS.
6. TURN ON WATER AND FLUSH IF DEBRIS FOUND.
7. REPLACE STEM END SUB-ASSEMBLY.
8. REINSTALL STEM END SUB-ASSEMBLY WITH NEW SPRING, STUFFING BOX, FELT RING AND PACKING NUT.
9. RECONNECT LINKAGE ASSEMBLY.
10. TURN ON WATER SUPPLY.
11. TEST UNIT.



		INFO FAX : 1-888-FAX-HAWS (1-888-329-4297) 1455 Kleppe Ln, Sparks NV, 89431 Phone: 775-359-4712 Fax: 775-359-7424 Haws Ag Bachweg 3 CH-3401 Burgdorf Switzerland Haws Mfg Pte Ltd 74 Sungei Kadut Loop Singapore 729531 e-mail: Haws@hawsco.com website: www.hawsco.com	
TECH NO: DRAWN: DATE: APPROVED:	REVISED PER: ECN: 3893 DATE: 8/23/01 BY: [Signature]	MODEL(S): WRKMK81A INFO FAX DOC #: 28765812 SCALE: 1:2 DRAWING TYPE: INSTALLATION/PACKBACK	PART NUMBER: 0002080372 DRAWING NUMBER: 07728A00 REV: 1 SIZE: A   SH: 1 OF 1