



model VRK02E.E

Mixing Valve Repair Kit

FEATURES & BENEFITS

OPTIONS

For more information, visit www.hawsc.com or call (888) 640-4297.



SPECIFICATIONS

The Haws VRK02E.E is a valve repair kit for the 9202E mixing valve. This kit includes parts to repair the thermostats and o-rings.

APPLICATIONS

KIT INSTALLATION INSTRUCTIONS

VRK02E.A: KIT, REPAIR, 9202E, COMPLETE

CONSISTS OF VRK02E.B AND VRK02E.C. FOLLOW INSTRUCTIONS OUTLINED FOR EACH AS NOTED ON THIS PAGE.

VRK02E.B: KIT, REPAIR, 9202E, MAIN MIXING CHAMBER (REFER TO SHEET 2)

1. REMOVE 4 COVER BOLTS AND 4 WASHERS AS SHOWN (NOTE 9/16" HEX).
2. REMOVE COVER.
3. REMOVE O-RING FROM COVER AND REPLACE WITH NEW O-RING FROM KIT.
4. REMOVE OVERLOAD ASSEMBLY FROM COVER BY PULLING STRAIGHT OUT, AND REPLACE WITH NEW OVERLOAD ASSEMBLY FROM KIT.
5. REMOVE PISTON/THERMOSTAT ASSEMBLY FROM VALVE BY PULLING STRAIGHT UP ON PISTON.
6. REMOVE CYLINDER ASSEMBLY FROM VALVE BY PULLING FIRMLY STRAIGHT UP ON THE CYLINDER ASSEMBLY.
7. REMOVE THREE PISTON SPRINGS FROM VALVE FUNNEL.
8. REMOVE VALVE FUNNEL FROM VALVE BY PULLING STRAIGHT UP ON FUNNEL AND FUNNEL O-RING IF IT DOES NOT COME OUT WITH THE FUNNEL.
9. INSTALL NEW FUNNEL O-RING AND FUNNEL FROM KIT.
10. INSTALL NEW CYLINDER ASSEMBLY FROM KIT AS SHOWN ON SHEET 2 BY PRESSING FIRMLY STRAIGHT DOWN AND ROCKING THE ASSEMBLY TO WORK IT PAST THE COLD INLET CHANNEL.
11. INSTALL 3 NEW PISTON SPRINGS FROM KIT INTO VALVE FUNNEL.
12. INSTALL NEW PISTON ASSEMBLY INTO CYLINDER AS SHOWN ON SHEET 2, BEING CAREFUL TO CLOCK THE PISTON SUCH THAT THE THREE FLATS UNDER THE PISTON SIT ON THE PISTON SPRINGS. THE PISTON SHOULD MOVE FREELY AGAINST THE SPRING PRESSURE IN THE CYLINDER.
13. INSTALL THE EXISTING COVER ON THE VALVE (CLOCKING IS NOT CRITICAL) AND RE-INSTALL THE FOUR WASHERS AND COVER BOLTS.
14. TIGHTEN BOLTS IN A CROSS PATTERN EVENLY UNTIL THE COVER CONTACTS THE VALVE BODY.
15. TORQUE BOLTS TO 25 FT-LBS.

VRK02E.C: KIT, REPAIR, 9202E, CHECK STOPS (REFER TO SHEET 3)

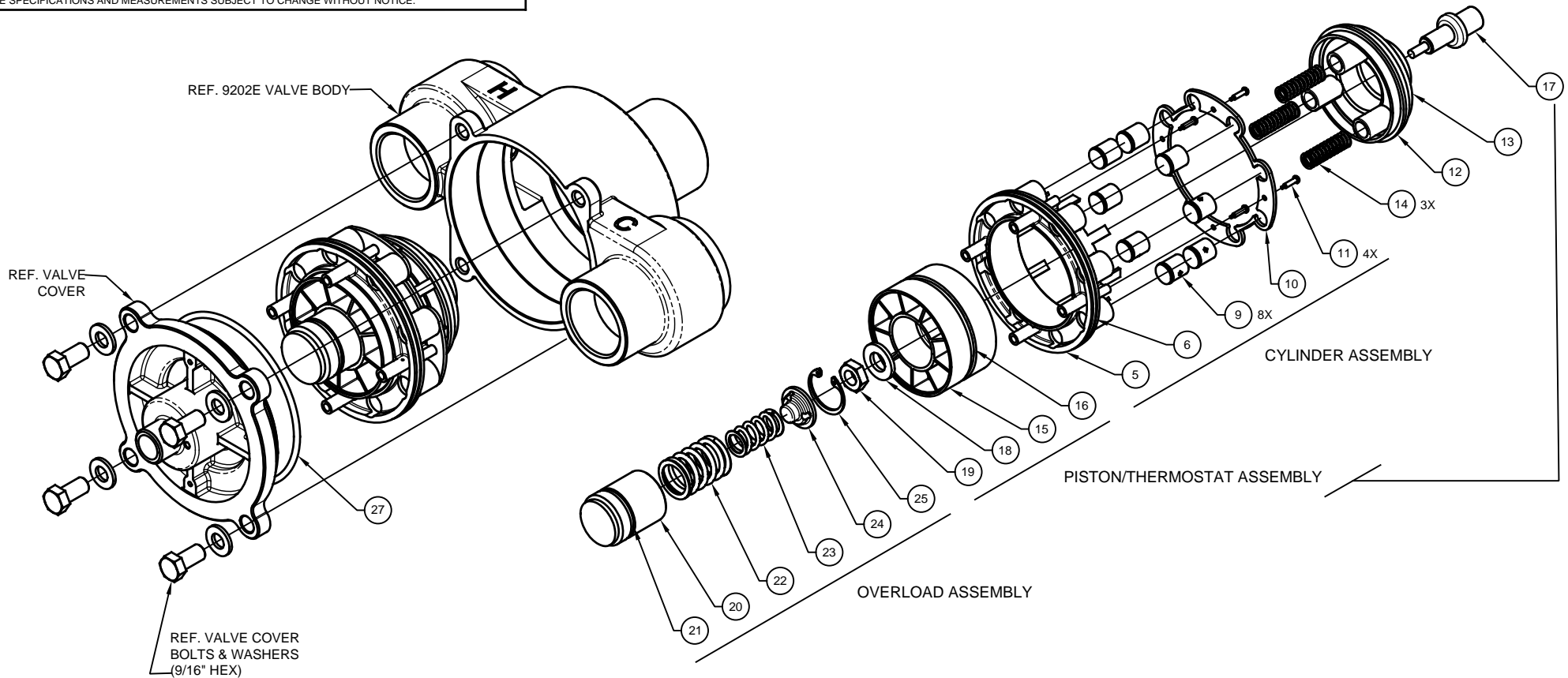
1. NOTE: HOT AND COLD CHECK STOP ASSEMBLIES ARE IDENTICAL.
2. REMOVE HOT CHECK STOP COVER WITH ADJUSTABLE WRENCH (3/4" FLATS).
3. REMOVE SPRING, CHECK STOP ASSEMBLY, CAGE, AND MESH SCREEN FROM VALVE.
4. CLEAN ANY VISIBLE DEBRIS FROM CHECK STOP CAVITY.
5. INSTALL NEW MESH SCREEN, CAGE, AND CHECK STOP ASSEMBLY FROM KIT AS SHOWN ON SHEET 3.
6. INSTALL NEW SPRING, ADJUSTMENT SCREW, AND CHECK STOP COVER FROM KIT. ADJUSTMENT SCREW SHOULD ALWAYS BE FULLY OUT (CCW) UNLESS THERE IS A NEED TO SHUT OFF THE HOT OR COLD WATER FOR TESTING.
7. REPEAT STEPS 2-6 WITH COLD CHECK STOP ASSEMBLY.

VRK02E.E: KIT, BASIC MAINT, 9202E, T-STAT+O-RINGS

1. REFER TO EXPLODED VIEWS IN SHEETS 2 - 4 AND DISASSEMBLY AND RE-ASSEMBLY INSTRUCTIONS ON THIS PAGE.
2. RECOMMEND ANY DRY O-RINGS BE LUBRICATED WITH FOOD GRADE SILICONE LUBRICANT, SUCH AS DOW CORNING 111 PRIOR TO INSTALLATION.
3. THERMOSTAT RETAINING NUT (18MM HEX) SHOULD BE INSTALLED ONLY SNUGLY, TAKING CARE NOT TO DAMAGE THERMOSTAT OR PISTON. STANDARD RIGHT HAND THREAD.
4. VALVE COVER BOLTS SHOULD BE TORQUED TO 25 FT-LBS PER VRK02E.B INSTRUCTIONS.

WARNING! VALVES MUST ALWAYS BE SAFELY REMOVED FROM SERVICE AND DRAINED PRIOR TO MAINTENANCE OR REPAIRS!


		1455 KLEPPE LANE SPARKS, NEVADA 89431 (775) 359-4712 FAX (775) 359-7424 E-MAIL: HAWS@HAWSO.COM WEBSITE: WWW.HAWSO.COM	
		ECN NO. 5429 REVISION: 08/01/19 DRAWN: DP APPROVED: DP	REVISED PER: DP DATE: 08/01/19 DATE: 08/06/19
SCALE: --		DRAWING TYPE: INSTALLATION	
SIZE: A		SHEET 1 OF 3	



VRK02E.B MAIN MIXING CHAMBER REPAIR KIT

ITEM #	SUB ASSEMBLY	QTY	DESCRIPTION	VRK02E.E BASIC MAINT. KIT
27	N/A	1	O-RING DASH# 242 (3.984 ID X .139 W)	INCLUDED
21	OVERLOAD ASSEMBLY	1	O-RING DASH# 123 (1.174 ID X .103 W)	INCLUDED
20	OVERLOAD ASSEMBLY	1	OVERLOAD HOUSING	
22	OVERLOAD ASSEMBLY	1	OVERLOAD COMPRESSION SPRING 1.095 OD	
23	OVERLOAD ASSEMBLY	1	OVERLOAD COMPRESSION SPRING 0.720 OD	
24	OVERLOAD ASSEMBLY	1	OVERLOAD INSERT	
25	OVERLOAD ASSEMBLY	1	RETAINING RING	
19	PISTON/THERMOSTAT ASSY	1	THERMOSTAT RETAINING NUT SST M12X1.75	
18	PISTON/THERMOSTAT ASSY	1	FLAT WASHER SST 12MM	
15	PISTON/THERMOSTAT ASSY	1	PLUNGER	
16	PISTON/THERMOSTAT ASSY	1	O-RING DASH# 231 (2.609 ID X .139 W)	INCLUDED
17	PISTON/THERMOSTAT ASSY	1	THERMOSTAT MAIN 60-100	INCLUDED
5	CYLINDER ASSEMBLY	1	SLEEVE	
6	CYLINDER ASSEMBLY	1	O-RING DASH# 231 (3.987 ID X .103 W)	INCLUDED
9	CYLINDER ASSEMBLY	8	CHECK VALVE 14MM	
10	CYLINDER ASSEMBLY	1	CHECK VALVE RETAINER	
11	CYLINDER ASSEMBLY	4	SCREW #4 SST	
14	N/A	3	PISTON SPRING SST	
12	N/A	1	FUNNEL, VALVE	
13	N/A	1	O-RING DASH# 335 (2.725 ID X .210 W)	INCLUDED

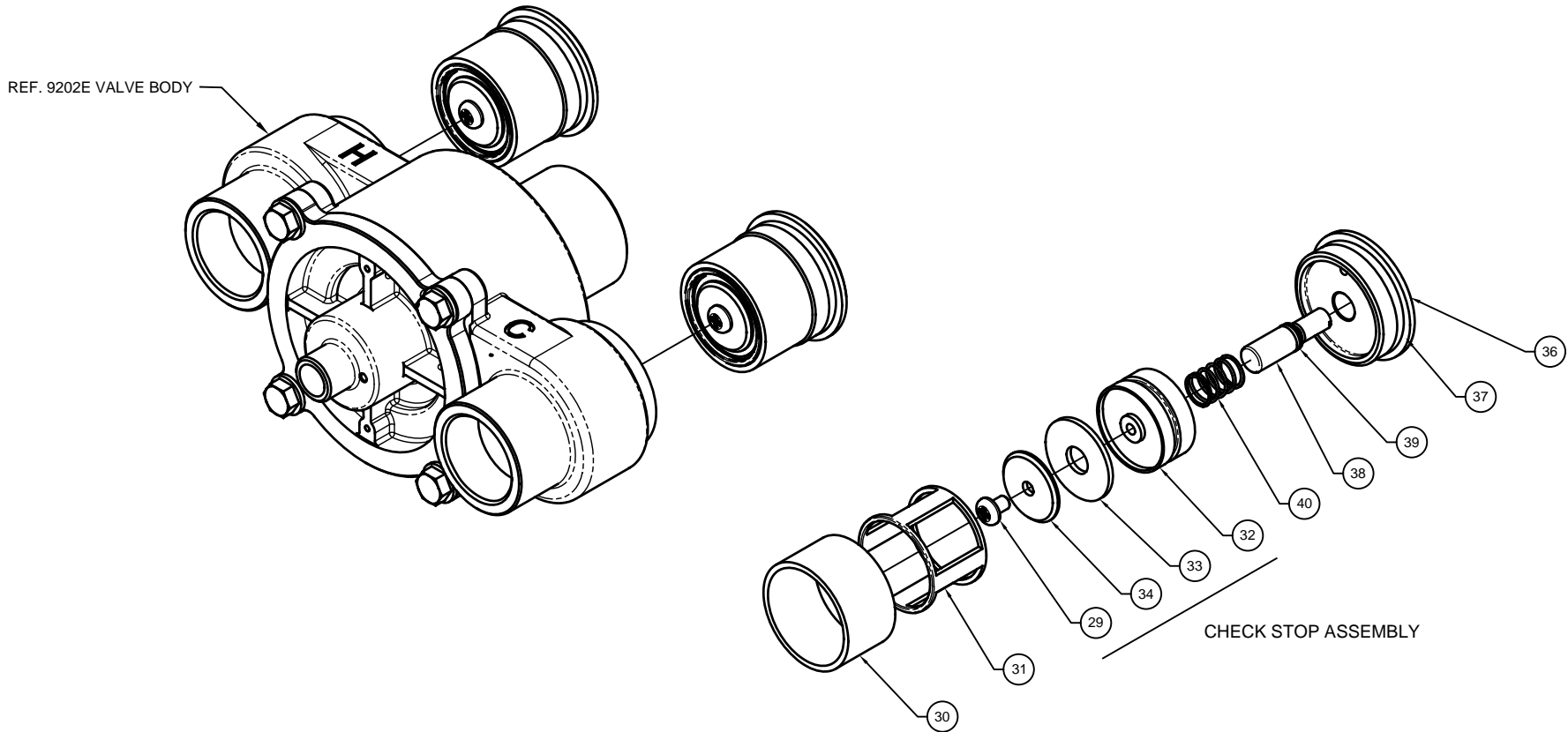
VRK02E.B MAIN MIXING CHAMBER REPAIR KIT SHOWN ON THIS SHEET



Haws

1455 KLEPPE LANE
SPARKS, NEVADA 89431
(775) 359-4712 FAX (775) 359-7424
E-MAIL: HAWS@HAWSCO.COM
WEBSITE: WWW.HAWSCO.COM


ECN NO. 5429	REVISED PER ECN: 5429	BY: DP	MODEL(S)	PART NUMBER
DRAWN: DP	DATE: 08/01/19	CHKD.: FV	VRK02E.A/B/C/E VALVE REPAIR KITS	0510000956
APPROVED: DP	DATE: 08/06/19	SCALE: N/A		DRAWING TYPE: INSTALLATION
			SIZE: A	SHEET 2 OF 3



NOTE: HOT AND COLD CHECK STOPS ARE IDENTICAL. KIT INCLUDES BOTH.

**VRK02E.C CHECK STOPS REPAIR KIT
SHOWN ON THIS SHEET**

VRK02E.C CHECK STOPS REPAIR KIT				
ITEM #	SUB ASSEMBLY	QTY	DESCRIPTION	VRKEWE.E BASIC MAINT. KIT
36	N/A	2	CHECK STOP COVER BONNET	
37	N/A	2	O-RING DASH# 225 (1.859 ID X .139 W)	INCLUDED
39	N/A	2	O-RING DASH# 012 (.364 ID X .070 W)	INCLUDED
38	N/A	2	STEM CHECK STOP ADJUST. SCREW	
40	N/A	2	SPRING	
32	CHECK STOP ASSY	2	POPPET (NO O-RING)	
33	CHECK STOP ASSY	2	WASHER EPDM	
34	CHECK STOP ASSY	2	WASHER CHECK STOP	
29	CHECK STOP ASSY	2	SCREW SST 1/4-20	
31	N/A	2	CAGE SLEEVE	
30	N/A	2	MESH SCREEN SST	

		1455 KLEPPE LANE SPARKS, NEVADA 89431 (775) 359-4712 FAX (775) 359-7424 E-MAIL: HAWS@HAWS.CO.COM WEBSITE: WWW.HAWS.CO.COM	
		ECN NO. 5429 DRAWN: DP APPROVED: DP	REVISED PER: ECN: 5429 DATE: 08/01/19 DATE: 08/06/19
		PART NUMBER 0510000956	REVISION 1
SCALE: N/A		DRAWING TYPE: INSTALLATION	SIZE: A SHEET 3 OF 3