

FEATURES & BENEFITS

OPTIONS

For more information, visit www.hawsco.com or call (888) 640-4297.



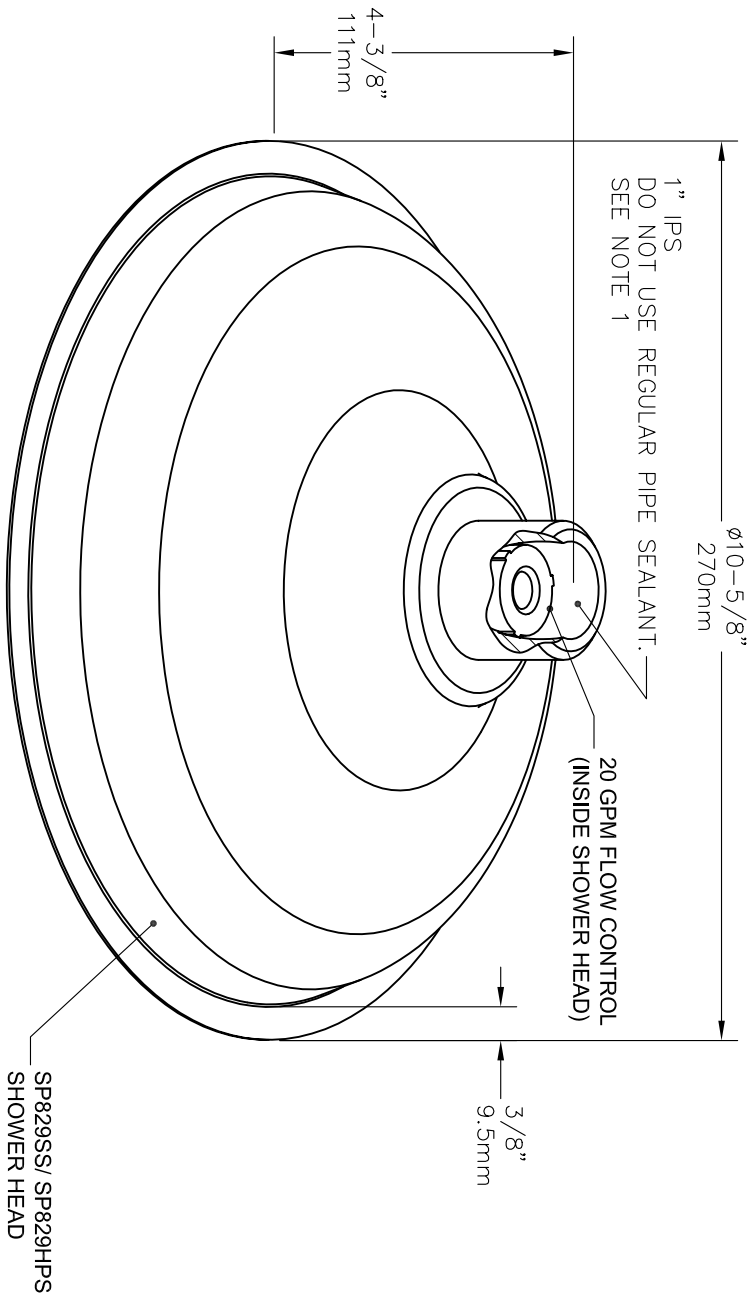
SPECIFICATIONS

Model SP829HPS AXION[®] MSR hydrodynamic designed polished stainless steel showerhead with 20 gpm (75.7 L) flow control and 1" NPT inlet.

APPLICATIONS

Specifically, this showerhead can be used with almost any Haws shower or combination model, with the use of a 1" NPT inlet.

- NOTES:**
1. IF NECESSARY, USE DOW CORNING 832 SEALANT PLACING 5 SMALL BEADS ON THE MALE THREADS OF MATING PART (JUST ABOVE THE FIRST THREAD).



Haws Corporation		1455 KLEPPE LANE SPARKS, NEVADA 89431 (775) 359-4712 FAX (775) 359-7424 E-MAIL: HAWS@HAWSCCO.COM WEBSITE: WWW.HAWSCCO.COM	
FIGURE: 4358	DATE: 2/10/10	MODEL(S): SP829SS/ SP829HPS SHOWER HEAD	DATE: 02/20/10
ISSUED BY: HR	DATE: 2/10/10	INFO FAX DOC #:	DATE: 02/20/10
APPROVED BY: R	DATE: 2/10/10	INSTALLATION/EXTRACT:	DATE: 02/20/10