

FEATURES & BENEFITS

OPTIONS

For more information, visit www.hawesco.com or call (888) 640-4297.



SPECIFICATIONS

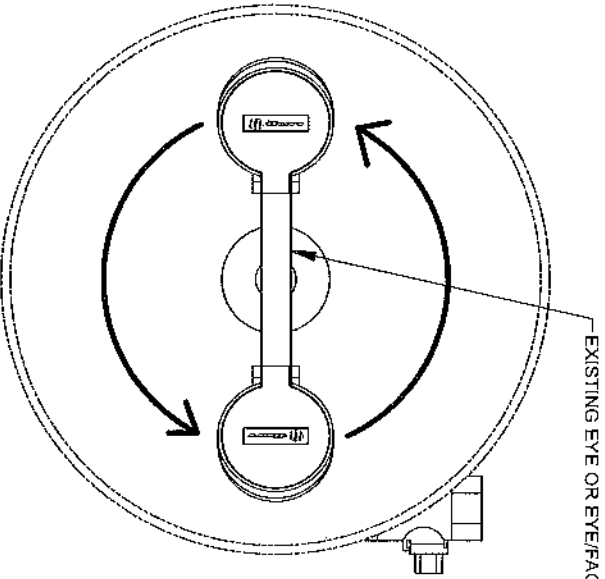
Model SP65SS AXION[®] MSR Type 304 Stainless Steel eye/face wash head shall include inverted directional flow with laminar flow and an integral 3.7 gpm (14 L) flow control, along with a yellow plastic pop-off dust cover. (Not for use with freeze protected models)

APPLICATIONS

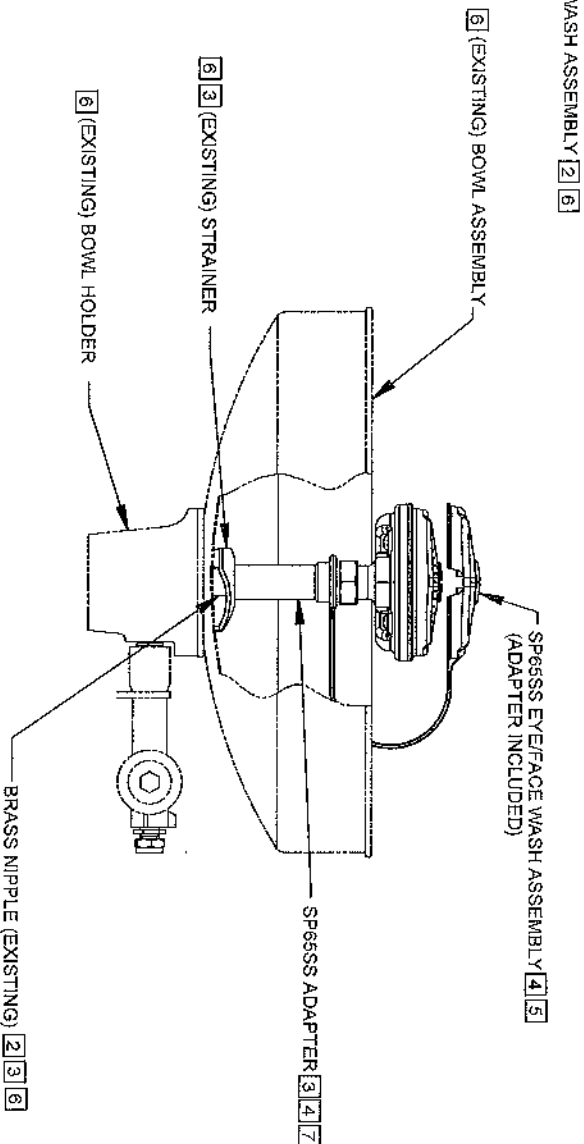
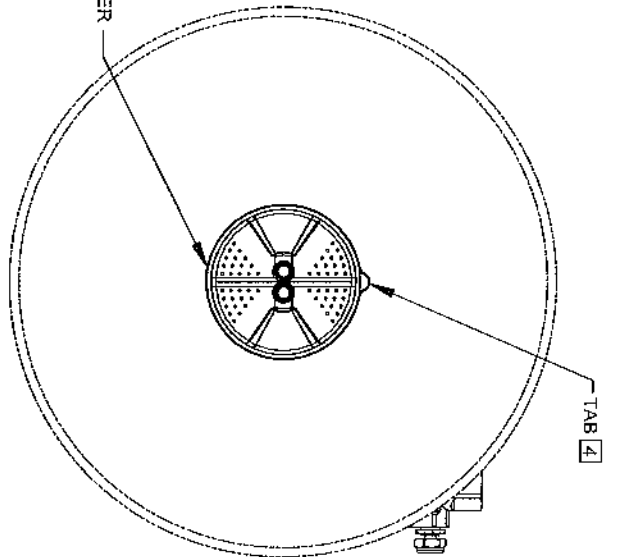
Intended as a direct replacement for the SP63 and SP63FC Haws eyewash assembly. Suitable as a replacement for current SP62, SP62FC, SP69, and SP69FC eyewash assemblies.

INSTALLATION/ RETRO FIT STEPS

1. IF REPLACING AN EXISTING EYEWASH ASSEMBLY WITH SP6SSS FOLLOW STEPS 2 THROUGH 5 AND IF INSTALLING SP6SSS ON NEW UNIT FOLLOW STEPS 3 THROUGH 5 (IF APPLICABLE).
NOTE: NOT FOR USE ON ANY FREEZE RESISTANT UNIT, i.e. 8300FP, 8300.158, 7433FP, 8317CTFP, 8317CTFP-Z20V, AND 8317CTFP-1D1.
- 2 REMOVE EXISTING EYEWASH BY SPINNING EYEWASH TEE COUNTERCLOCKWISE. DO NOT REMOVE BRASS NIPPLE FROM BOWL HOLDER.
- 3 PLACE SP6SSS ADAPTER THROUGH DUST COVER LOOP. THREAD SP6SSS ADAPTER ONTO NIPPLE UNTIL SNUG AGAINST STRAINER.
- 4 THREAD SP6SSS ONTO ADAPTER. ORIENT TAB TOWARDS THE BACK (AWAY FROM USER). DO NOT OVER-TIGHTEN.
- 5 PLACE DUST COVER ONTO EYEFACE WASH IF MODEL 9102 STAINLESS COVER IS NOT INSTALLED.
- 6 EXISTING COMPONENTS SHOWN (TYPICAL MODEL) ARE FOR REFERENCE ONLY AND MAY NOT REPRESENT YOUR SPECIFIC UNIT.
- 7 ADAPTER SUPPLIED WITH SP6SSS MAY NOT BE REQUIRED IN SOME APPLICATIONS.



EYEFACE WASH HEAD SHOWN WITHOUT DUST COVER



SEE SHEET 2 OF 2
 FOR FLOW CONTROL
 CLEANING STEPS



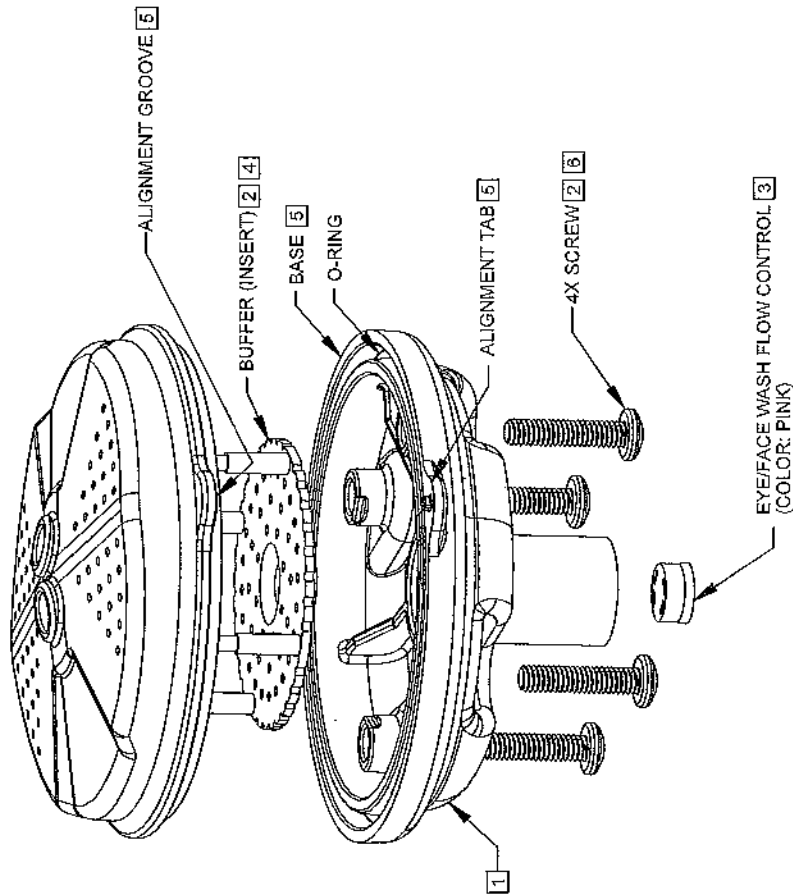
1455 KLEPPE LANE
 SPARKS, NEVADA 89431
 (775) 389-4772 FAX (775) 389-7424
 E-MAIL: HAWSCO@HAWSCO.COM
 WEBSITE: WWW.HAWSCO.COM

ECN NO. REVISED PER BY:	MODEL(S)	PART NUMBER
4388 EDC-4828 HM		0002077593
DATE: 02/02/07		DRAWING NO.
BY: [Signature]		15972A00
SCALE: 1:18	DRAWING TYPE: INSTALLATION	REV: 3
SIZE: A	SHEET: 1 OF 2	

THIS DOCUMENT IS TRUE AND CORRECT AT TIME OF PUBLICATION. CONTINUED PRODUCT IMPROVEMENTS MAKE SPECIFICATIONS AND MEASUREMENTS SUBJECT TO CHANGE WITHOUT NOTICE.

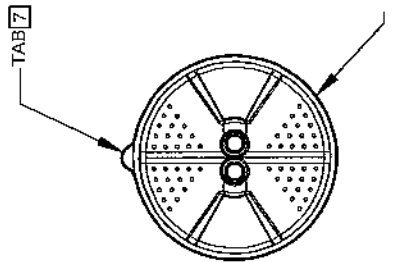
FLOW CONTROL CLEANING STEPS:

- 1 UNSCREW EYE/FACE WASH ASSEMBLY FROM ADAPTER.
- 2 REMOVE SCREWS (QTY. 4) FROM SP65SS EYE/FACE WASH ASSEMBLY. REMOVE EYE/FACE WASH HEAD AND BUFFER (INSERT).
- 3 REMOVE EXISTING FLOW CONTROL FROM BASE BY PUSHING IT OUT FROM THE TOP, AND CAREFULLY REMOVE ANY DEBRIS LODGED BETWEEN O-RING AND HOUSING OR OPENINGS. ALSO, CHECK FOR ANY SEDIMENT OR MINERAL DEPOSITS BLOCKING OPENINGS. EXERCISE CAUTION NOT TO DAMAGE OR LOSE O-RING IN THE PROCESS. ALL OPENINGS ON FLOW CONTROL MUST BE FREE AND CLEAR OF ANY OBSTRUCTIONS FOR FLOW CONTROL TO FUNCTION PROPERLY. REINSTALL FLOW CONTROL. SEE DETAIL A FOR ORIENTATION.
- 4 INSERT BUFFER (INSERT) INTO EYE/FACE WASH HEAD NOTING ORIENTATION OF POST IN RELATIONSHIP TO L-SHAPED RIB AS SHOWN ON DETAIL B.
- 5 REASSEMBLE EYE/FACE WASH HEAD, MAKING SURE THAT ALIGNMENT GROOVE ON BASE AND O-RING IS SEATED IN O-RING GROOVE.
- 6 REINSTALL SCREWS (QTY. 4) INTO THE EYE/FACE WASH ASSEMBLY. TIGHTEN SNUG TO ENSURE A WATER-TIGHT SEAL.
- 7 REASSEMBLE SP65SS EYE/FACE WASH ASSEMBLY ONTO ADAPTER. ORIENT TAB TOWARDS THE BACK (AWAY FROM USER). DO NOT OVER-TIGHTEN.
- 8 PLACE DUST COVER OVER EYE/FACE WASH.



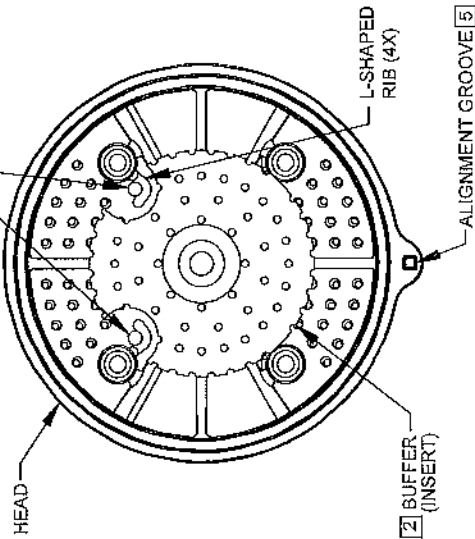
FLOW CONTROL SHOWN IN PLACE
NOTE: PRESS FLOW CONTROL IN
UNTIL IT BOTTOMS OUT

3 DETAIL A



EYE/FACE WASH
SHOWN WITHOUT
DUST COVER 8

NOTE ORIENTATION OF POSTS IN
RELATIONSHIP TO L-SHAPED RIB.
ALL 4 POSTS MUST BE INSIDE OF
RIBS (AS SHOWN).



4 DETAIL B



1455 KLEPPE LANE
SPARKS, NEVADA 89431
(775) 359-4712 FAX (765) 359-7424
E-MAIL: HAWS@HAWSCO.COM
WEBSITE: WWW.HAWSCO.COM

MODEL(S)

SP65SS
AXION EYE/FACE WASH

REVISED FOR BY: HML
DATE: 2/10/10
DRAWN: JAS
CHECKED: JAS
APPROVED: JAS

PART NUMBER
0002077593
DRAWING NO.
15972A00
REV
3

SCALE: 1:3 DRAWING TYPE: INSTALLATION SIZE: A SHEET 2 OF 2

SEE SHEET 1 OF 2
FOR INSTALLATION/
RETROFIT STEPS