

FEATURES & BENEFITS

OPTIONS

For more information, visit www.hawsc.com or call (888) 640-4297.



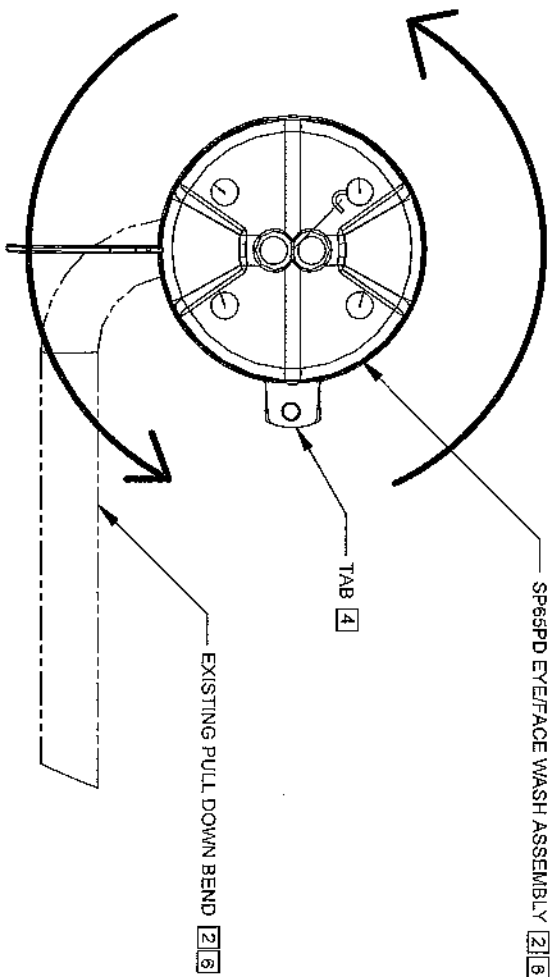
SPECIFICATIONS

Model SP65PD AXION[®] MSR eye/face wash head shall include inverted directional flow with laminar flow and an integral 4.2 gpm (15.9 L) flow control, along with a yellow plastic pop-off dust cover. (Not for use with freeze protected models)

APPLICATIONS

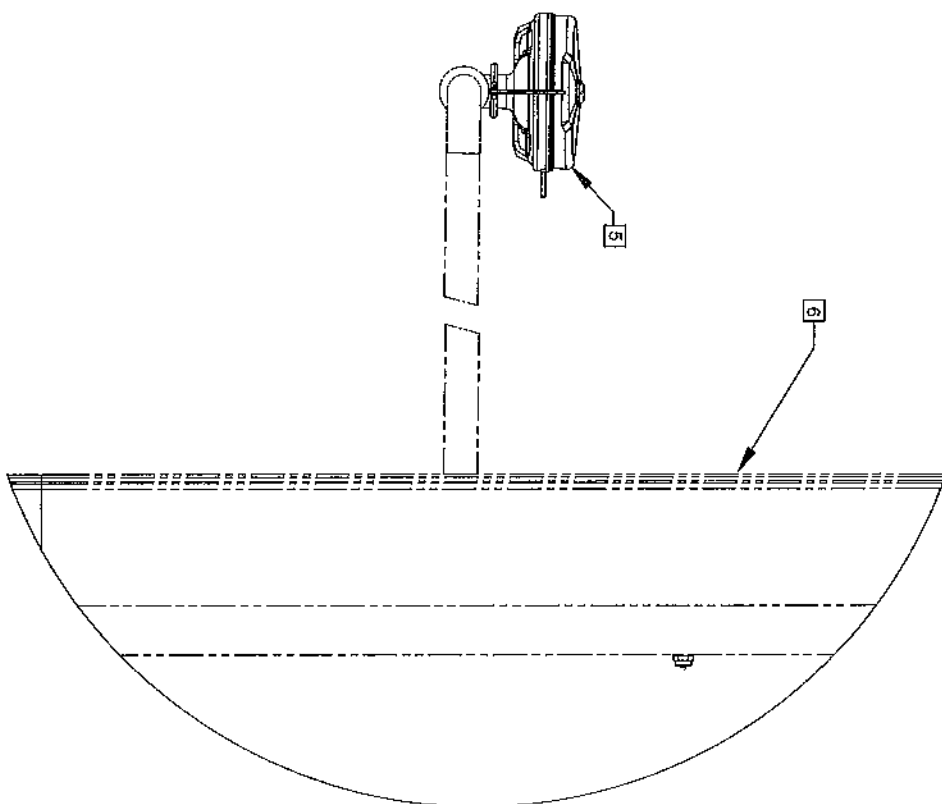
INSTALLATION/ RETRO FIT STEPS

1. IF REPLACING AN EXISTING EYEWASH ASSEMBLY WITH SP65PD FOLLOW STEPS 2 THROUGH 5 AND IF INSTALLING SP65 ON NEW UNIT FOLLOW STEPS 3 THROUGH 5 (IF APPLICABLE).
NOTE: NOT FOR USE ON ANY FREEZE RESISTANT UNIT: I.e., 8300FP, 8300.158, 7433FP, 8317CTFP, 8317CTFP.220V, AND 8317CTFP.C1D1.
2. REMOVE EXISTING EYEWASH BY SPINNING EYEFACE WASH COUNTERCLOCKWISE.
3. PLACE SP65PD STEM THROUGH DUST COVER LOOP. THREAD SP65 ADAPTER ONTO PULL DOWN BEND UNTIL SNUG.
4. THREAD SP65PD ONTO PULL DOWN BEND. ORIENT TAB TOWARDS THE BACK (AWAY FROM USER). DO NOT OVER-TIGHTEN.
5. PLACE DUST COVER ONTO EYEFACE WASH
6. EXISTING COMPONENTS SHOWN (TYPICAL MODEL) ARE FOR REFERENCE ONLY AND MAY NOT REPRESENT YOUR SPECIFIC UNIT.



TOP VIEW

SEE SHEET 2 OF 2
FOR FLOW CONTROL
CLEANING STEPS



		Haws	
1455 KLEPPE LANE SPARKS, NEVADA 89431 (775) 358-4712 FAX (775) 358-7424 E-MAIL: HAWS@HAWSCCO.COM WEBSITE: WWW.HAWSCCO.COM		MODEL(S) SP65PD AXION EYEFACE WASH	
SCAT. NO. 4782	REVISED PER. BY: EOR-4833	DATE: 02/17/12	DATE: 02/17/12
DRAWN: H. KERRITT	DATE: 02/17/12	SCALE: 1:2	DRAWING TYPE: INSTALLATION
PART NUMBER: 0002080022		DRAWING NO: 16276A	
REV: 1		SHEET 1 OF 2	

FLOW CONTROL CLEANING STEPS:

- 1 UNSCREW EYEFACE WASH ASSEMBLY FROM ADAPTER (NOT SHOWN).
- 2 REMOVE SCREWS (QTY. 4) FROM SP65 EYEFACE WASH ASSEMBLY. REMOVE EYEFACE WASH HEAD AND BUFFER (INSERT).
- 3 REMOVE EXISTING FLOW CONTROL FROM BASE BY PUSHING IT OUT FROM THE TOP AND CAREFULLY REMOVE ANY DEBRIS, LODGED BETWEEN O-RING AND HOUSING OR OPENINGS. ALSO, CHECK FOR ANY SEDIMENT OR MINERAL DEPOSITS BLOCKING OPENINGS. EXERCISE CAUTION NOT TO DAMAGE OR LOSE O-RING IN THE PROCESS. ALL OPENINGS ON FLOW CONTROL MUST BE FREE AND CLEAR OF ANY OBSTRUCTIONS FOR FLOW CONTROL TO FUNCTION PROPERLY. REINSTALL FLOW CONTROL. SEE DETAIL A FOR ORIENTATION.
- 4 INSERT BUFFER (INSERT) INTO EYEFACE WASH HEAD NOTING ORIENTATION OF POST IN RELATIONSHIP TO ALIGNMENT GROOVE AS SHOWN ON DETAIL B.
- 5 REASSEMBLE EYEFACE WASH HEAD, MAKING SURE THAT ALIGNMENT GROOVE ON EYEFACE WASH HEAD LINES UP WITH ALIGNMENT TAB ON BASE.
- 6 REINSTALL SCREWS (QTY. 4) INTO THE EYEFACE WASH ASSEMBLY. TIGHTEN SNUG TO ENSURE A WATERTIGHT SEAL. DO NOT OVER-TIGHTEN. TORQUE SPEC. 4 IN. LBS. MAX
- 7 REASSEMBLE SP65 EYEFACE WASH ASSEMBLY ONTO ADAPTER (NOT SHOWN). ORIENT TAB TOWARDS THE BACK (AWAY FROM USER). DO NOT OVER-TIGHTEN.
- 8 PLACE DUST COVER (NOT SHOWN) ONTO EYEFACE WASH.

EYEFACE WASH HEAD HAS 2 LARGE OPENINGS (FOR EYES) AND MULTIPLE SMALLER OPENINGS (FOR FACE/WASH)

ALIGNMENT GROOVE 5

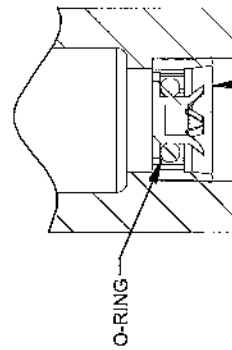
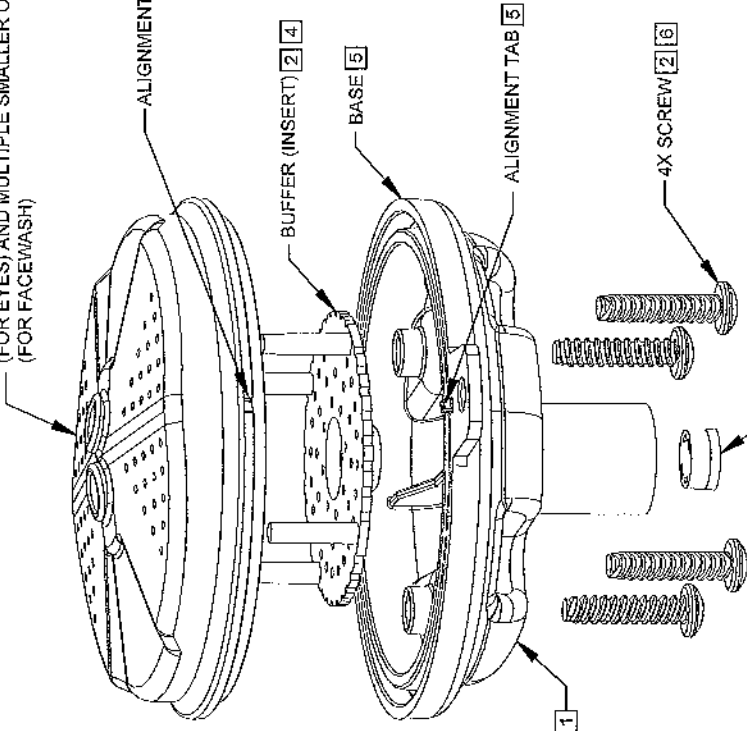
BUFFER (INSERT) 2 4

BASE 5

ALIGNMENT TAB 5

4X SCREW 2 6

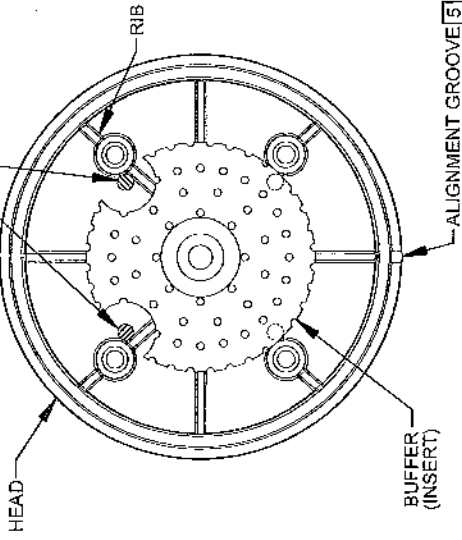
EYEFACE WASH FLOW CONTROL 3 (COLOR: BLUE)



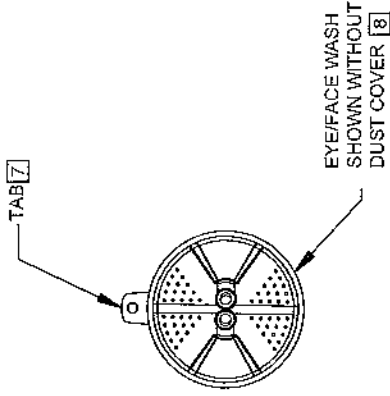
3 DETAIL A

SEE SHEET 1 OF 2 FOR INSTALLATION/RETROFIT STEPS

NOTE ORIENTATION OF POSTS IN RELATIONSHIP TO ALIGNMENT GROOVE. POSTS MUST BE INSIDE OF RIBS (AS SHOWN).



4 DETAIL B



CONTROL NUMBER	MODEL(S)	INSTALLATION	SIZE	SHEET	OF
REVISED PER BY:					
DATE					
APPROVED					
SCALE					
DRAWING NO.	SP65PD				
DRAWING NO.	AXION EYEFACE WASH				
DRAWING NO.	16276A				
DRAWING NO.	1				
DRAWING NO.	16276A				
DRAWING NO.	1				