

## FEATURES & BENEFITS

---

## OPTIONS

---

For more information, visit [www.hawsc.com](http://www.hawsc.com) or call (888) 640-4297.



## SPECIFICATIONS

---

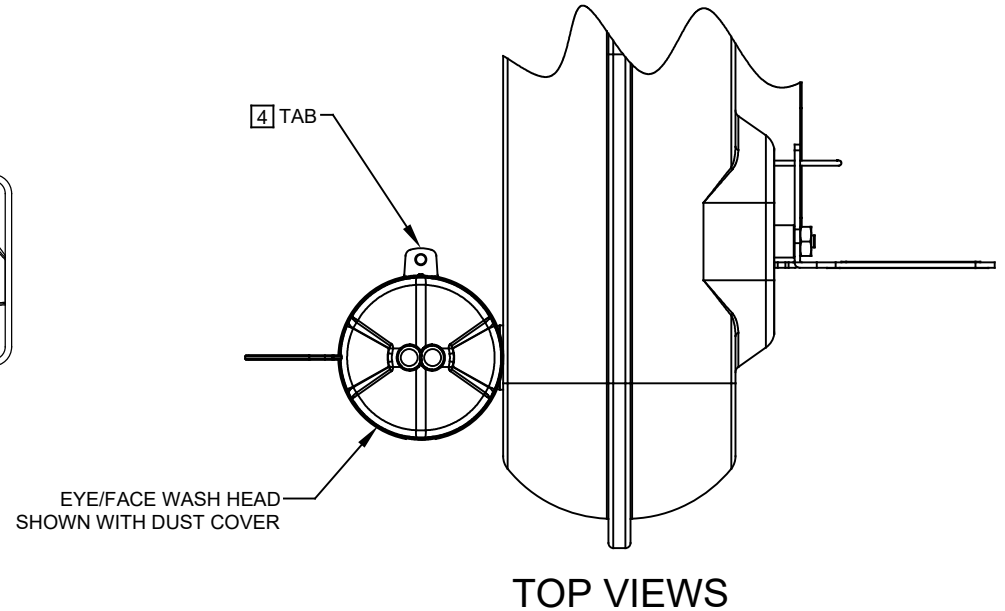
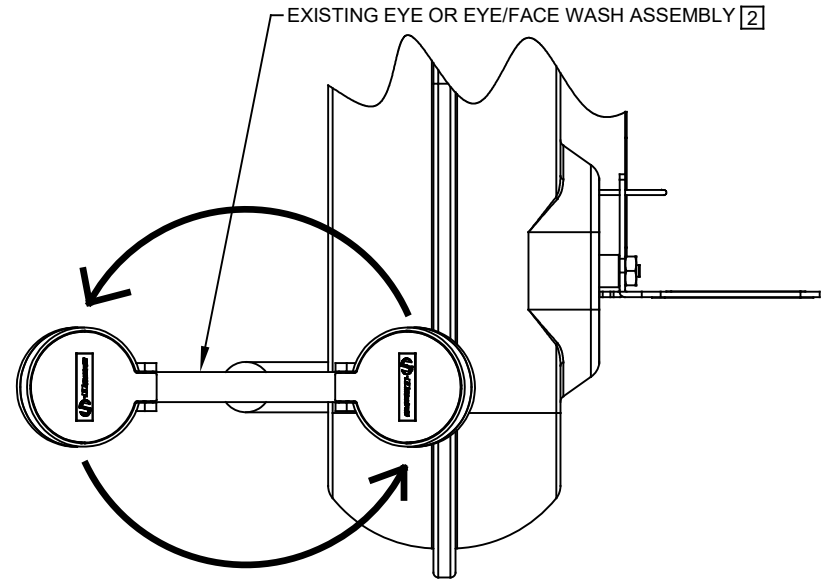
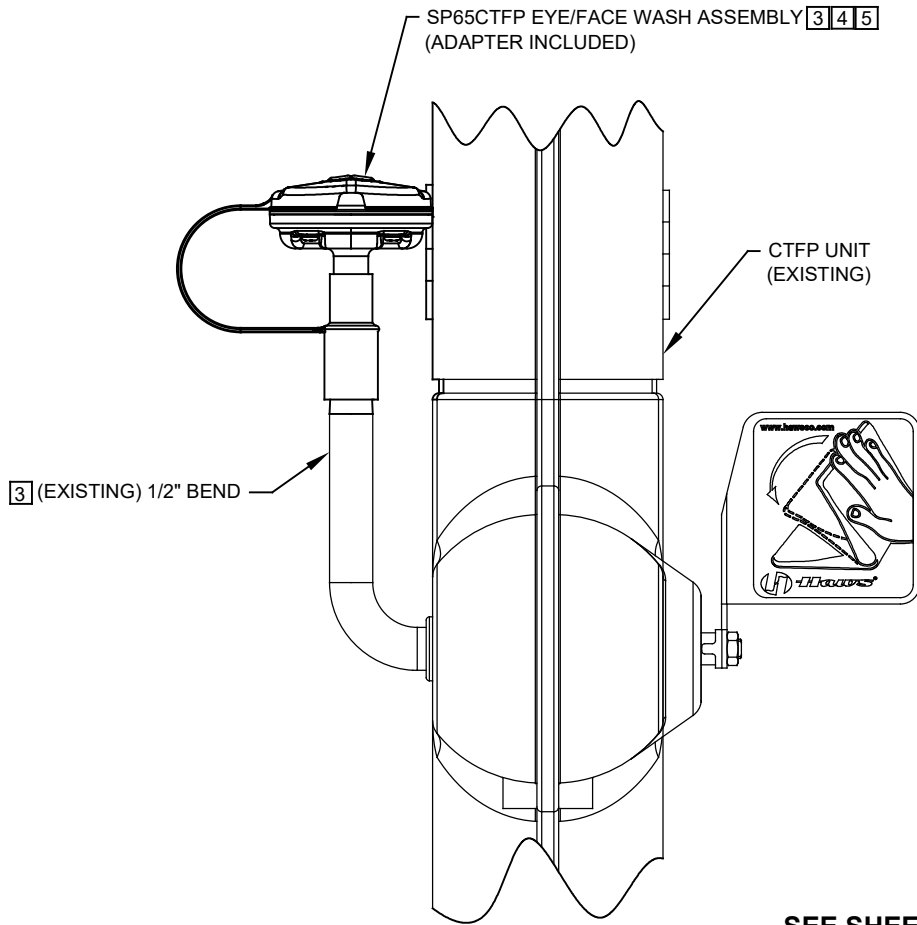
Model SP65CTFP AXION<sup>®</sup> MSR eye/face wash head shall include inverted directional flow with laminar flow and an integral 3.7 gpm (14 L) flow control, along with a yellow plastic pop-off dust cover. This eye/face wash head is specifically designed for the 8317CTFP series.

## APPLICATIONS

---

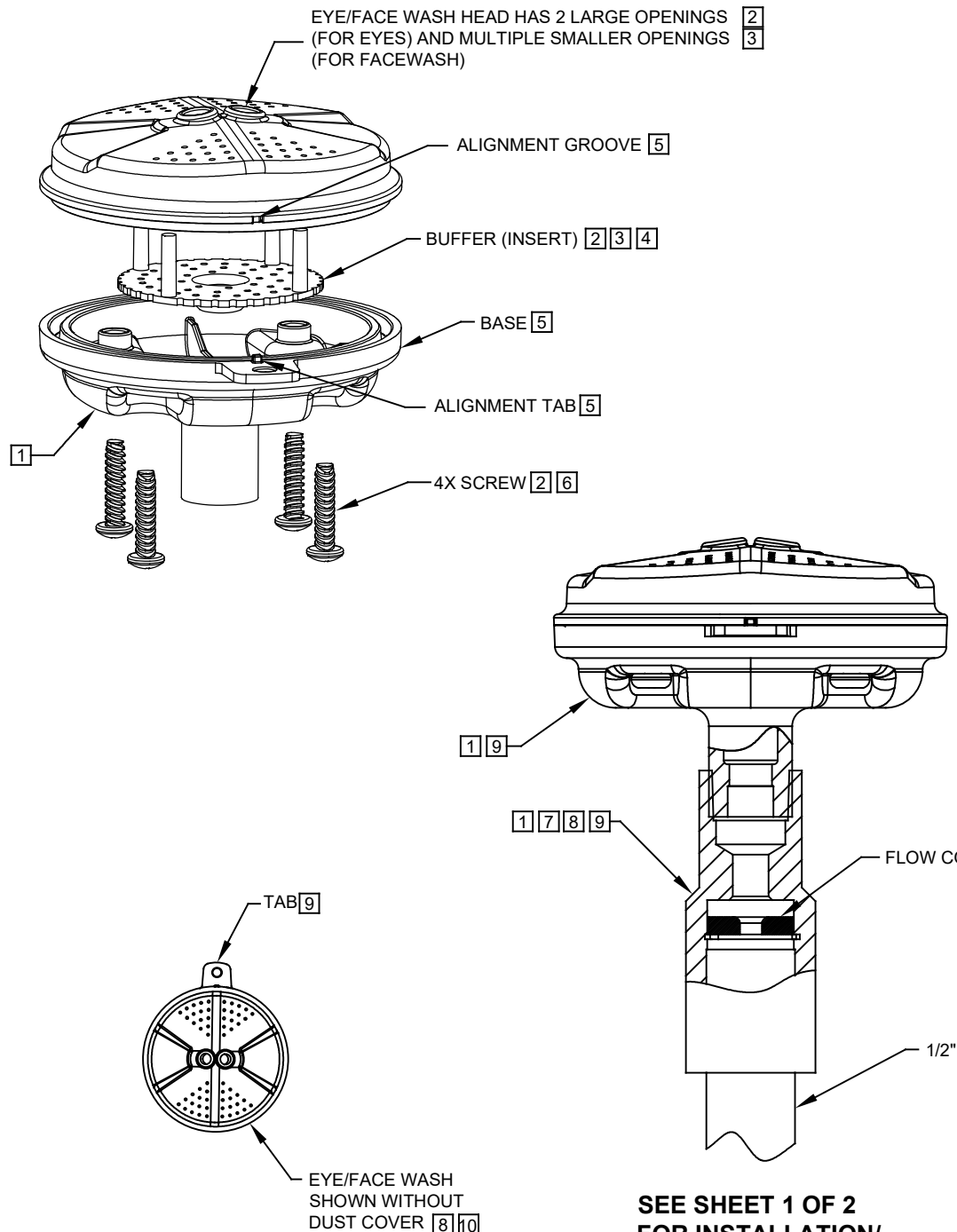
## INSTALLATION/ RETRO FIT STEPS

1. SP65CTFP IS FOR USE ON MODELS 8317CTFP, 8317CTFP.220V AND 8317CTFPC1D1.
- 2 REMOVE EXISTING EYEWASH BY SPINNING EYEWASH TEE COUNTERCLOCKWISE. DO NOT REMOVE 1/2" BEND.
- 3 THREAD SP65CTFP ADAPTER ONTO 1/2" BEND. PLACE DUST COVER LOOP OVER SP65CTFP ADAPTER.
- 4 THREAD EYE/FACE WASH HEAD ONTO ADAPTER. ORIENT TAB TOWARDS THE BACK (AWAY FROM USER). DO NOT OVER-TIGHTEN.
- 5 PLACE DUST COVER ONTO EYE/FACE WASH HEAD.



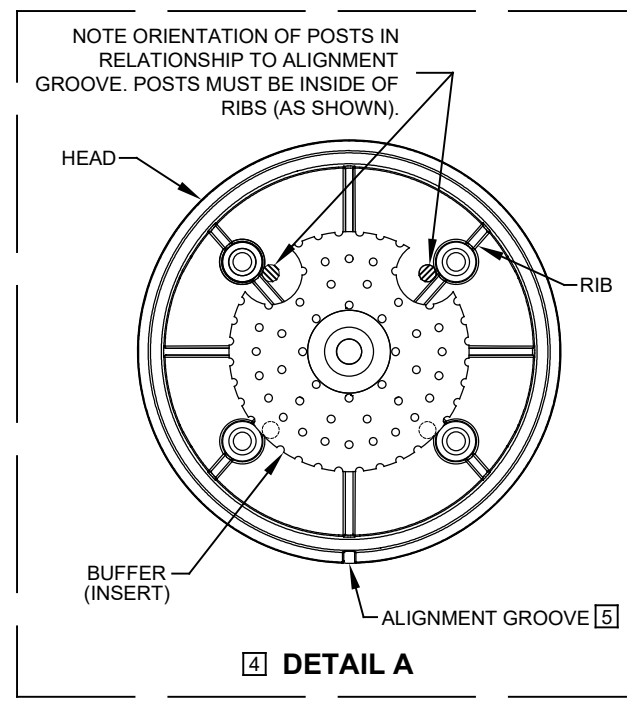
SEE SHEET 2 OF 2  
FOR FLOW CONTROL  
CLEANING STEPS

 <b>Haws®</b>		1455 KLEPPE LANE SPARKS, NEVADA 89431 (775) 359-4712 FAX (755) 359-7424 E-MAIL: HAWS@HAWS.CO.COM WEBSITE: WWW.HAWS.CO.COM	
ECN NO. 4480 DRAWN: I. ROBERTS APPROVED: IR	REVISED PER: DW ECN: 5950 DATE: 9/15/10	MODEL(S) SP65CTFP AXION EYE/FACE WASH	PART NUMBER 0002080264 DRAWING NO. 16061A00 REV 3
DATE: 07/18/23	SCALE: 1/18	DRAWING TYPE: INSTALLATION	SIZE: A SHEET 1 OF 2



### AXION HEAD & FLOW CONTROL CLEANING STEPS:

- 1 UNSCREW EYE/FACE WASH ASSEMBLY FROM ADAPTER.
- 2 REMOVE SCREWS (QTY. 4) FROM SP65CTFP EYE/FACE WASH ASSEMBLY. REMOVE EYE/FACE WASH HEAD AND BUFFER (INSERT).
- 3 CHECK FOR ANY DEBRIS, SEDIMENT OR MINERAL DEPOSITS BLOCKING ORIFICES ON HEAD OR BUFFER AND THOROUGHLY REMOVE ALL OBSTRUCTIONS.
- 4 INSERT BUFFER (INSERT) INTO EYE/FACE WASH HEAD NOTING ORIENTATION OF POST IN RELATIONSHIP TO ALIGNMENT GROOVE AS SHOWN ON **DETAIL A**.
- 5 REASSEMBLE EYE/FACE WASH HEAD, MAKING SURE THAT ALIGNMENT GROOVE ON EYE/FACE WASH HEAD LINES UP WITH ALIGNMENT TAB ON BASE.
- 6 REINSTALL SCREWS (QTY. 4) INTO THE EYE/FACE WASH ASSEMBLY. TIGHTEN SNUG TO ENSURE A WATERTIGHT SEAL. DO NOT OVER-TIGHTEN. TORQUE SPEC: 4 IN. LBS MAX.
- 7 UNSCREW ADAPTER FROM 1/2" BEND TO GAIN ACCESS TO FLOW CONTROL FROM EITHER END OF ADAPTER TO REMOVE ANY DEBRIS LODGED IN ORIFICES.
- 8 REASSEMBLE ADAPTER ONTO 1/2" BEND. PLACE DUST COVER LOOP (NOT SHOWN) OVER ADAPTER.
- 9 REASSEMBLE SP65CTFP EYE/FACE WASH ASSEMBLY ONTO ADAPTER. ORIENT TAB TOWARDS THE BACK (AWAY FROM USER). DO NOT OVER-TIGHTEN.
- 10 PLACE DUST COVER (NOT SHOWN) ONTO EYE/FACE WASH.



SEE SHEET 1 OF 2 FOR INSTALLATION/RETROFIT STEPS

		1455 KLEPPE LANE SPARKS, NEVADA 89431 (775) 359-4712 FAX (755) 359-7424 E-MAIL: HAWS@HAWSO.COM WEBSITE: WWW.HAWSO.COM	
		ECN NO. 4798 DRAWN: H. MERRITT APPROVED: IR	REVISED PER: ECN: 5950 DATE: 04/22/13 DATE: 07/18/23
SCALE: 1:18		DRAWING TYPE: INSTALLATION	SIZE: A SHEET 2 OF 2