

FEATURES & BENEFITS

OPTIONS

For more information, visit www.hawsco.com or call (888) 640-4297.



SPECIFICATIONS

Model SP65 AXION[®] MSR eye/face wash head shall include inverted directional flow with laminar flow and an integral 3.7 gpm (14 L) flow control, along with a yellow plastic pop-off dust cover. (Not for use with freeze protected models)

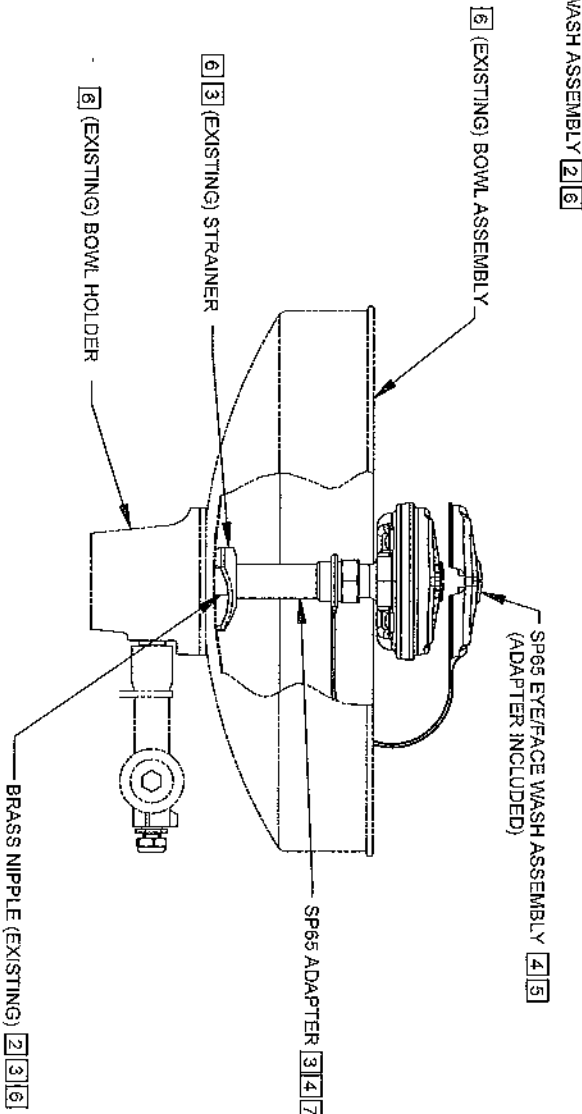
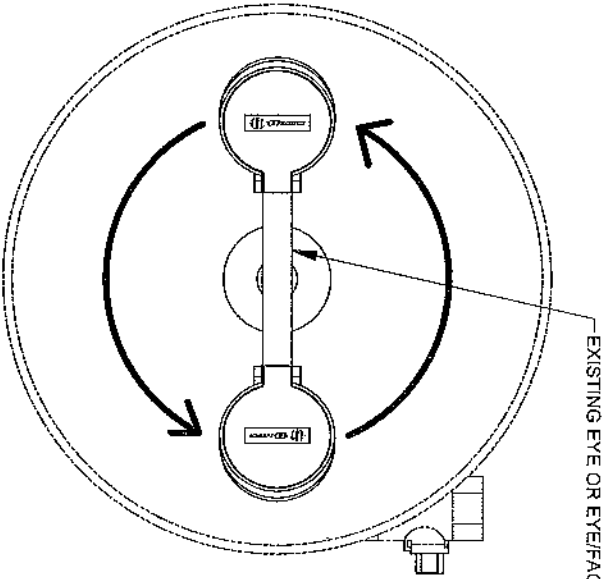
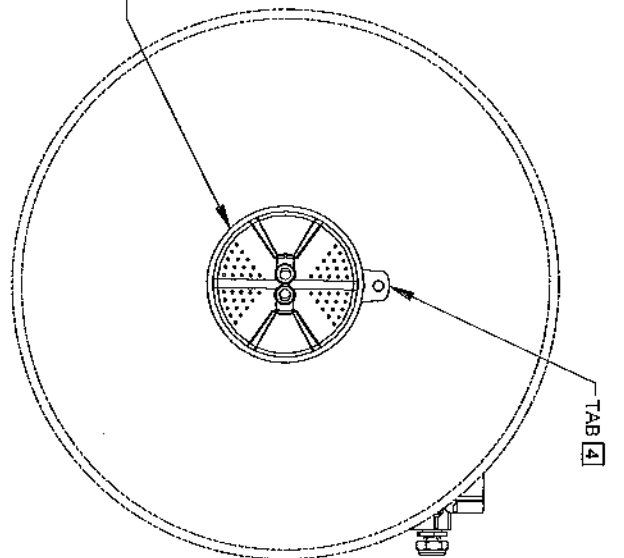
APPLICATIONS

Suitable as a replacement for current SP62, SP62FC, SP69, and SP69FC Haws eyewash assemblies.

INSTALLATION/ RETRO FIT STEPS

1. IF REPLACING AN EXISTING EYEWASH ASSEMBLY WITH SP65 FOLLOW STEPS 2 THROUGH 5 AND IF INSTALLING SP65 ON NEW UNIT FOLLOW STEPS 3 THROUGH 5 (IF APPLICABLE).
NOTE: NOT FOR USE ON ANY FREEZE RESISTANT UNIT: i.e. 8300FP, 8300, 158, 7433FP, 8317CTFP, 8317CTFP 220V, AND 8317CTFP-1D1.
2. REMOVE EXISTING EYEWASH BY SPINNING EYEWASH TEE COUNTERCLOCKWISE. DO NOT REMOVE BRASS NIPPLE FROM BOWL HOLDER.
3. PLACE SP65 ADAPTER THROUGH DUST COVER LOOP. THREAD SP65 ADAPTER ONTO BRASS NIPPLE UNTIL SNUG AGAINST STRAINER.
4. THREAD SP65 ONTO ADAPTER. ORIENT TAB TOWARDS THE BACK (AWAY FROM USER). DO NOT OVER-TIGHTEN.
5. PLACE DUST COVER ONTO EYEFACE WASH
6. EXISTING COMPONENTS SHOWN (TYPICAL MODEL) ARE FOR REFERENCE ONLY AND MAY NOT REPRESENT YOUR SPECIFIC UNIT.
7. ADAPTER SUPPLIED WITH SP65 MAY NOT BE REQUIRED IN SOME APPLICATIONS.

EYEFACE WASH HEAD SHOWN WITHOUT DUST COVER



SEE SHEET 2 OF 2
FOR FLOW CONTROL
CLEANING STEPS

Haws

1465 KLEPPER LANE
SPARKS, NEVADA 89431
(775) 359-4712 FAX (775) 359-7424
EMAIL: HAWS@HAWSCO.COM
WEBSITE: WWW.HAWSCO.COM

DRAWN: [REDACTED]	DATE: [REDACTED]	MODEL(S):	INSTALLATION:
ROBERTS [REDACTED]	12/11	SP65 AXION EYEFACE WASH	
APPROVED: [REDACTED]	DATE: [REDACTED]		
SCALE: 1/2"	DRAWING TYPE:		
			SIZE: A
			SHEET: 1 OF 2

FLOW CONTROL CLEANING STEPS:

- 1 UNSCREW EYEFACE WASH ASSEMBLY FROM ADAPTER (NOT SHOWN).
- 2 REMOVE SCREWS (QTY. 4) FROM SP65 EYEFACE WASH ASSEMBLY. REMOVE EYEFACE WASH HEAD AND BUFFER (INSERT).
- 3 REMOVE EXISTING FLOW CONTROL FROM BASE BY PUSHING IT OUT FROM THE TOP, AND CAREFULLY REMOVE ANY DEBRIS LODGED BETWEEN O-RING AND HOUSING OR OPENINGS. ALSO, CHECK FOR ANY SEDIMENT OR MINERAL DEPOSITS BLOCKING OPENINGS. EXERCISE CAUTION NOT TO DAMAGE OR LOSE O-RING IN THE PROCESS. ALL OPENINGS ON FLOW CONTROL MUST BE FREE AND CLEAR OF ANY OBSTRUCTIONS FOR FLOW CONTROL TO FUNCTION PROPERLY. REINSTALL FLOW CONTROL. SEE DETAIL A FOR ORIENTATION.
- 4 INSERT BUFFER (INSERT) INTO EYEFACE WASH HEAD NOTING ORIENTATION OF POST IN RELATIONSHIP TO ALIGNMENT GROOVE AS SHOWN ON DETAIL B.
- 5 REASSEMBLE EYEFACE WASH HEAD, MAKING SURE THAT ALIGNMENT GROOVE ON EYEFACE WASH HEAD LINES UP WITH ALIGNMENT TAB ON BASE.
- 6 REINSTALL SCREWS (QTY. 4) INTO THE EYEFACE WASH ASSEMBLY, TIGHTEN SNUG TO ENSURE A WATERTIGHT SEAL. DO NOT OVER-TIGHTEN. TORQUE SPEC. 4 IN. LBS. MAX.
- 7 REASSEMBLE SP65 EYEFACE WASH ASSEMBLY ONTO ADAPTER (NOT SHOWN). ORIENT TAB TOWARDS THE BACK (AWAY FROM USER). DO NOT OVER-TIGHTEN.
- 8 PLACE DUST COVER (NOT SHOWN) ONTO EYEFACE WASH.

EYEFACE WASH HEAD HAS 2 LARGE OPENINGS (FOR EYES) AND MULTIPLE SMALLER OPENINGS (FOR FACEWASH)

ALIGNMENT GROOVE 5

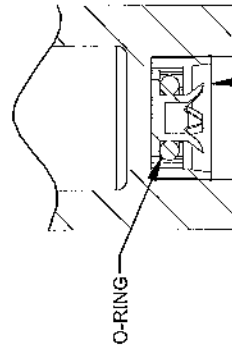
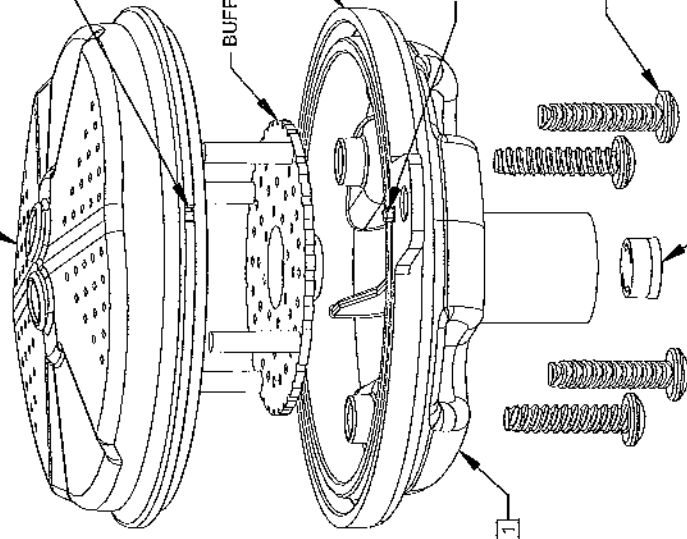
BUFFER (INSERT) 2 4

BASE 5

ALIGNMENT TAB 5

4X SCREW 2 6

EYEFACE WASH FLOW CONTROL 3 (COLOR: PINK)

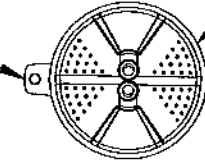


FLOW CONTROL SHOWN IN PLACE
NOTE: PRESS FLOW CONTROL IN
UNTIL IT BOTTOMS OUT

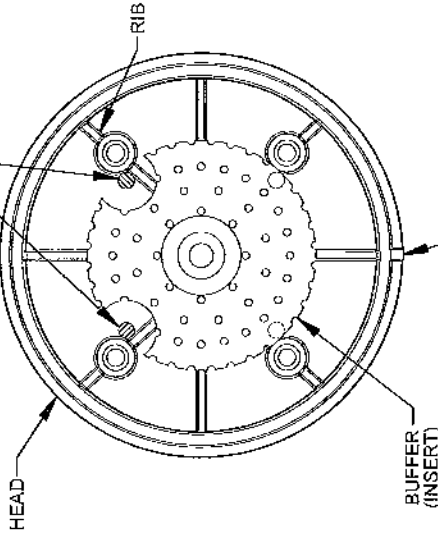
3 DETAIL A

TAB 7

EYEFACE WASH
SHOWN WITHOUT
DUST COVER 8




NOTE ORIENTATION OF POSTS IN
RELATIONSHIP TO ALIGNMENT
GROOVE. POSTS MUST BE INSIDE OF
RIBS (AS SHOWN).



4 DETAIL B

SEE SHEET 1 OF 2
FOR INSTALLATION/
RETROFIT STEPS



1455 KLEPPE LANE
SPARKS, NEVADA 89431
(775) 359-4712 FAX (775) 359-7424
E-MAIL: HAWS@HAWS.CO.COM
WEBSITE: WWW.HAWS.CO.COM

ECN NO.	REVISED PER(S)	MODEL(S)	SIZE: A	INSTALLATION	SIZE: A	SHEET 2 OF 2
DESIGN	DATE	SCALE: 1:1	118	DRAWING TYPE	1534-2A00	8
APPROVER	DATE					
DESIGNED BY	DATE					
CHECKED BY	DATE					
DATE						

SP65 AXION EYEFACE WASH