

FEATURES & BENEFITS

OPTIONS

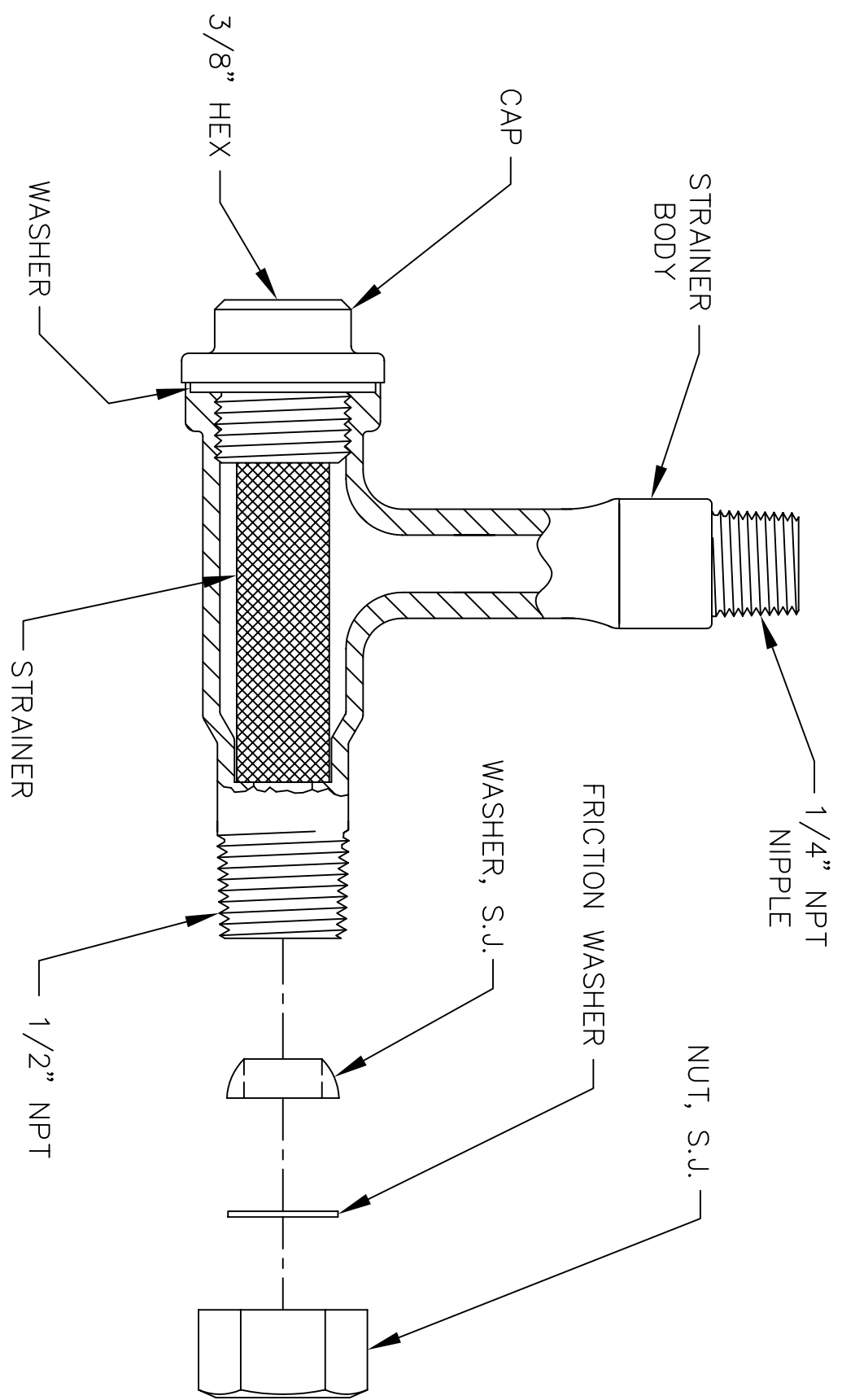
For more information, visit www.hawesco.com or call (888) 640-4297.



SPECIFICATIONS

Model SP509 is a fully serviceable in-line, 50 x 50 mesh strainer filters debris from reaching the eye or eye/face wash.

APPLICATIONS



Info FAX : 1-888-FAX-HANS (1-888-329-4297)
Phone : 775-359-4121
775-359-1424
Home Ag Building 3 Ch-3401 Burgdorf Switzerland
Home Mfg Pile Ltd 74 Sungai Kerdul Loop Singapore 729531
e-mail: HANS@HANSCO.COM website: www.hansco.com

MODEL NO.	SP-509	TITLE	INSTALLATION
DATE	6/83	INFO FAX DOC #	252509
REV. A		REV. A	
DESIGNED BY		REVISIONS	
DRAWN BY		DATE	
CHECKED BY		BY	
APPROVED BY		DATE	