

FEATURES & BENEFITS

OPTIONS

For more information, visit www.hawesco.com or call (888) 640-4297.

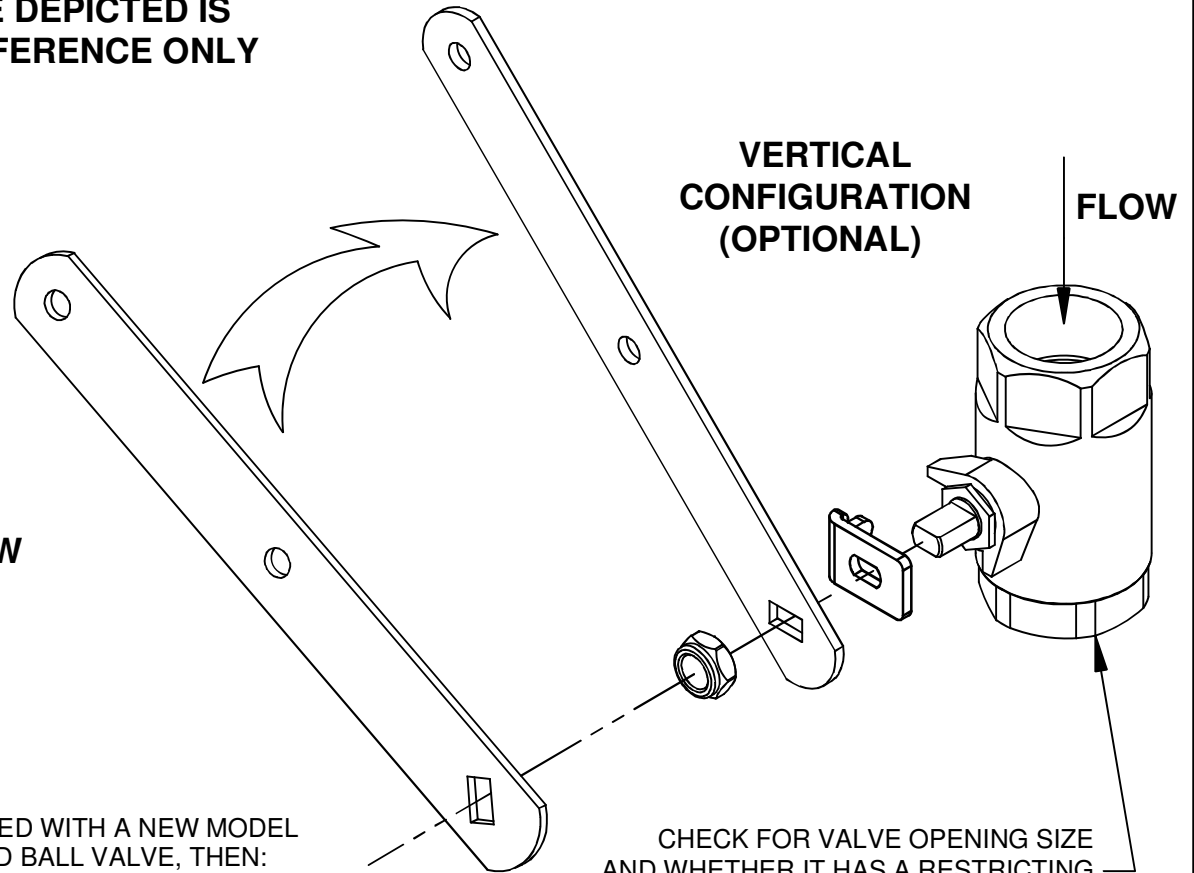
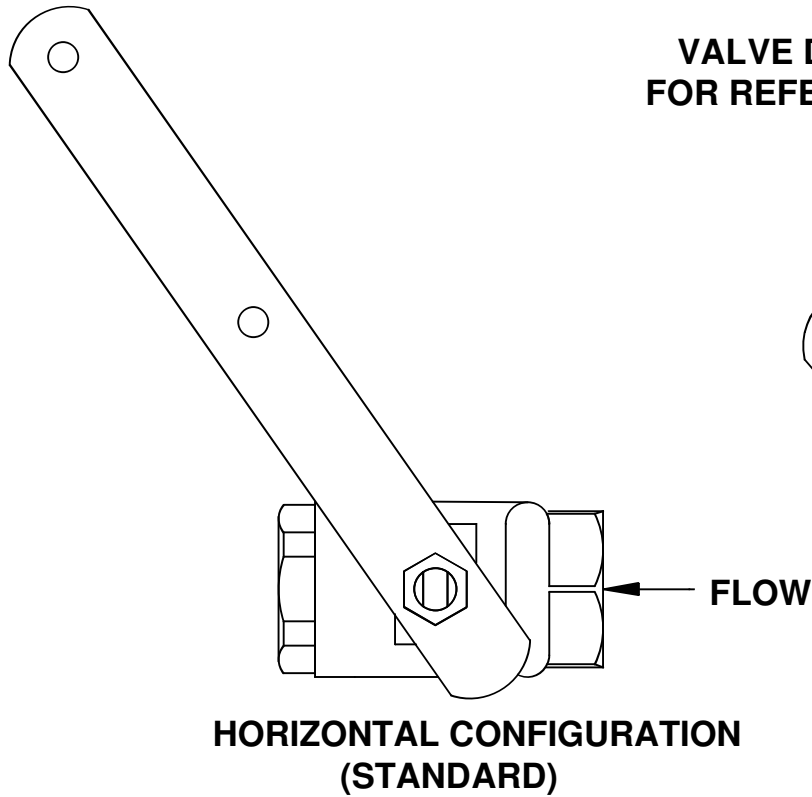


SPECIFICATIONS

Model SP260 is a chrome-plated, stay-open, brass ball shower valve with stainless steel stem for horizontal or vertical installation. Model includes handle. 1" NPT.

APPLICATIONS

VALVE DEPICTED IS FOR REFERENCE ONLY



CHECK FOR VALVE OPENING SIZE AND WHETHER IT HAS A RESTRICTING WASHER OR NOT.

NOTES:

1. WHEN EXISTING SHOWER BALL VALVE NEEDS TO BE REPLACED WITH A NEW MODEL SP260 OR SP265 BALL VALVE, FIRST REMOVE AND CHECK OLD BALL VALVE, THEN:

OPTION 1: IF IT HAS A FULL PORT BUT DOES NOT HAVE A BRASS RESTRICTING WASHER INSTALLED IN FRONT OF THE VALVE BALL, THEN JUST REPLACE IT.

OPTION 2: IF IT HAS A FULL PORT AND A BRASS RESTRICTING WASHER INSTALLED IN FRONT OF THE VALVE BALL, THEN REUSE THE WASHER WHEN INSTALLING THE VALVE.

OPTION 3: IF IT HAS A REDUCED PORT $\varnothing(1/2")$, THEN CALL HAWS TECHNICAL SUPPORT (1-800-766-5612) AND ASK FOR RESTRICTING WASHER.

FAILURE TO DO OPTION 2 OR 3 (IF YOUR SITUATION FITS) COULD RESULT IN THE SHOWER AND THE EYEWASH NOT WORKING SIMULTANEOUSLY.

2. FOR VERTICAL CONFIGURATION; REMOVE HANDLE, FLIP COMPLETELY TO OTHER SIDE AND REATTACH.

		1455 KLEPPE LANE SPARKS, NEVADA 89431 (775) 359-4712 FAX (755) 359-7424 E-MAIL: HAWS@HAWS.CO.COM WEBSITE: WWW.HAWS.CO.COM	
		ECN NO. REVISED PER BY: MODEL(S) ECN: 4513	PART NUMBER 0002080333
DRAWN: RTM DATE: 07/31/02 APPROVED:	DATE:	CHKD.:	SP260 / SP265 1" BALL VALVE ASSEMBLY
SCALE: 1:1	DRAWING TYPE: INSTALLATION	SIZE: A	SHEET 1 OF 1