



# model PBM1311ADA

Bottom Plate for 1311

## FEATURES & BENEFITS

---

## OPTIONS

---

For more information, visit [www.hawsc.com](http://www.hawsc.com) or call (888) 640-4297.



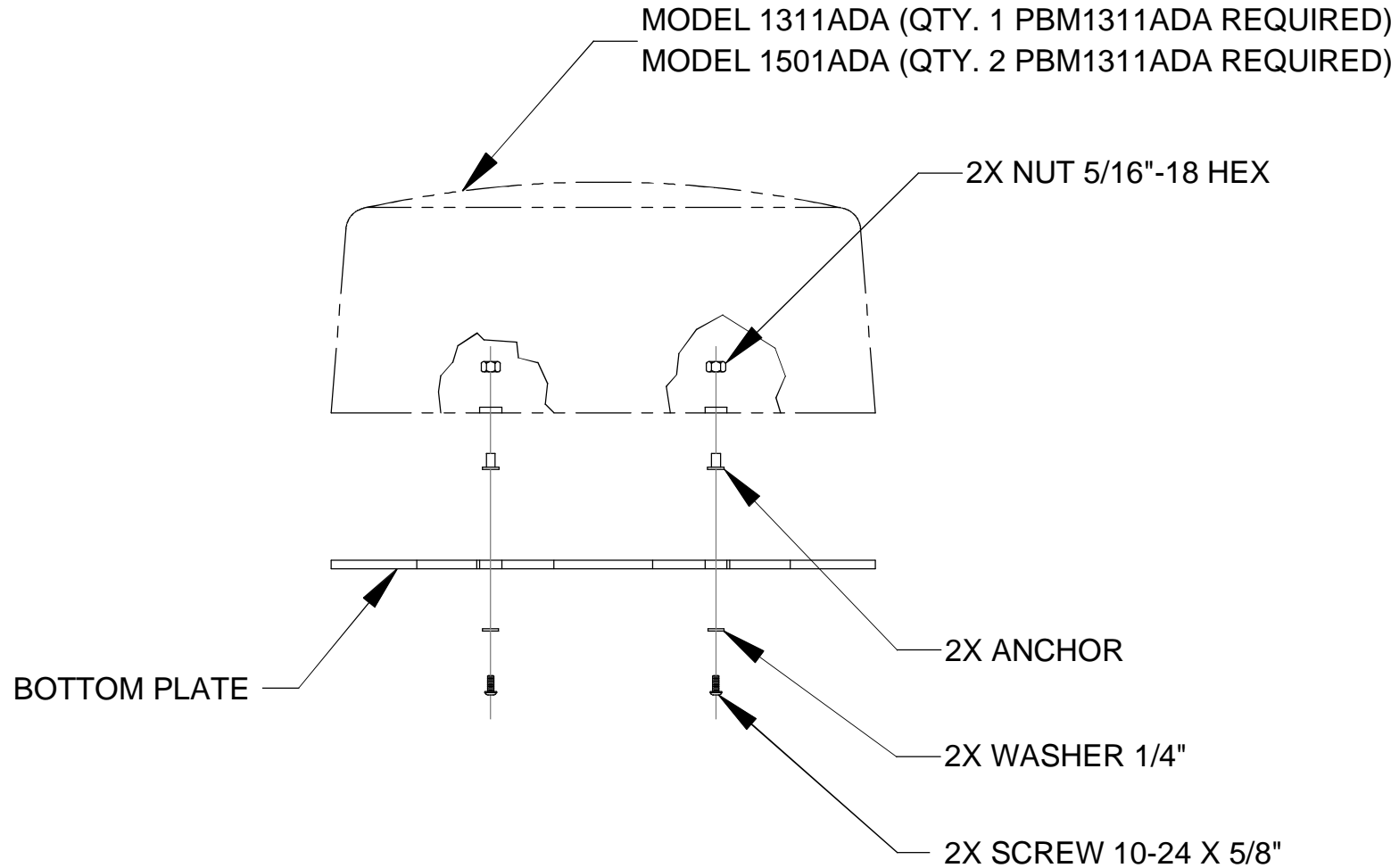
## SPECIFICATIONS

---


Model PBM1311ADA, heavy gauge galvanized steel bottom plate with vandal resistant screws. For models 1311 and 1501 made after Jan 1st, 2017.

## APPLICATIONS

---



MODEL PBM1311ADA

		<b>Haws</b> <sup>®</sup>		1455 KLEPPE LANE SPARKS, NEVADA 89431 (775) 359-4712 FAX (775) 359-7424 E-MAIL: HAWS@HAWS.CO.COM WEBSITE: WWW.HAWS.CO.COM	
				ECN NO. 5010 DRAWN: H. MERRITT APPROVED: FV	REVISED PER: HM DATE: 08/26/15 DATE: 12/15/15
			SCALE: 1:1	DRAWING TYPE: INSTALLATION	SIZE: A
				SHEET 1 OF 1	REVISION 1