

## FEATURES & BENEFITS

### CONSTRUCTION

Unit is made of 18 gauge Type 304 stainless steel with a satin finish that resists stains and corrosion, and has soft, rounded corners. Unit features stainless steel satin finish back panel, vandal-resistant bottom plate, and 1-1/4" integral trap.

### BUBBLER HEADS

Polished chrome-plated brass bubbler heads with integral 11/16" dia. basin shank and stainless anti-rotation roll pin for vandal resistance strength. Shielded, angled stream opening provides a steady, sanitary source of drinking water at .45 gpm.

### DRINKING FOUNTAIN VALVES

The push-button activated valve offers the only all stainless steel valve body that is machined out of solid bar stock, is fully serviceable through the front of the push button assembly offering access to the water control cartridge and integral water supply strainer, and with front access to the water stream height adjustment for easy maintenance without having to remove the valve. Operating pressure range of 30 to 90 psi (2.1 to 6.2 bar).

### VANDAL RESISTANT

The bubbler heads, push buttons, drain strainers and bottom plates are locked in place, discouraging unwanted vandal tampering.

### MOUNTING

Heavy-duty 16-gauge galvanized steel mounting frame with welded-in heavy-duty 10 gauge mounting plate with pre-punched mounting holes. Further convenience is given to the chiller with the integral fold-out shelf.

### INTEGRATED TRAP

All cast brass 1-1/4" NPT adjustable traps completely concealed inside bottom plates for easy installation and lack of unwanted access.

## OPTIONS

- Water Filter: Model 6480 filter kit with 3000 gallon carbon block filter, filter head, and mounting bracket.
- Bottle Filler: Model 1920, bottle filler can be a stand-alone station, or mounted above Haws 1119 series drinking fountain models.
- Back Panel: Model BP32, satin finish stainless steel 32" back panel for model 1920 bottle filler.
- Strainer, 1920 Drip Tray: Model 6469, bottle filler drip tray accessory for combining the 1920 bottle filler with the 1109 style drinking fountains

For more information, visit [www.hawsc.com](http://www.hawsc.com) or call (888) 640-4297.



## SPECIFICATIONS

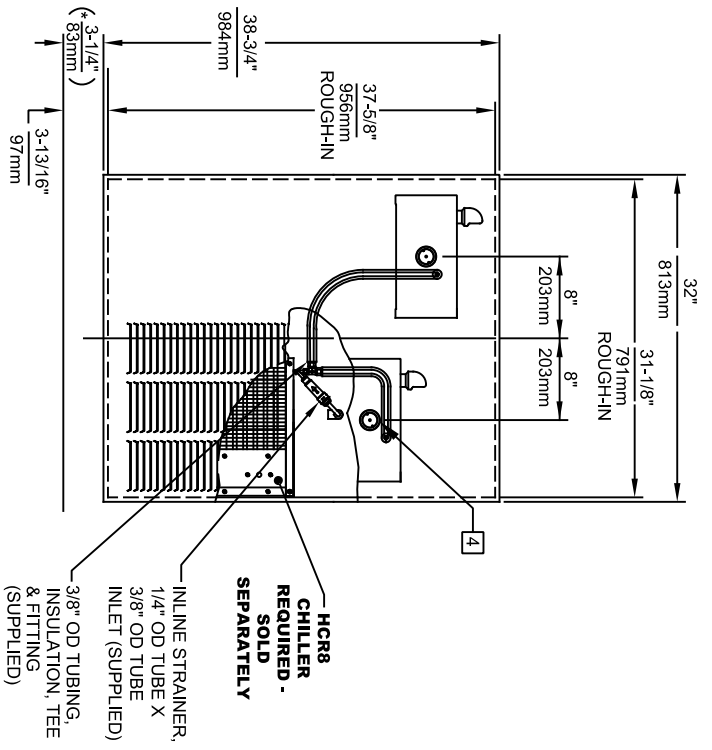
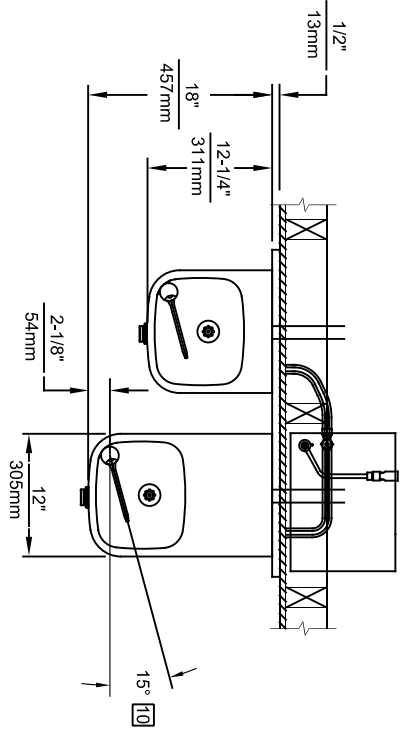
Model H1119.8 electric vandal-resistant wall mounted barrier-free water cooler shall include dual 18 gauge Type 304 Stainless Steel satin finish basins, 16 gauge galvanized steel in-wall mounting frame with welded-in heavy-duty 10 gauge mounting plate, vandal-resistant push-button operated stainless steel valves with front-accessible cartridge, in-line strainer and flow adjustment, 100% lead-free waterways, polished chrome-plated brass vandal-resistant bubbler heads, polished chrome-plated vandal-resistant waste strainers, vandal-resistant stainless bottom plates, stainless steel satin finish back panel and louvered intrusion-proof grill, high and low fountain mounting levels, and 1-1/4" NPT concealed all cast-brass traps. The refrigeration system is hermetically sealed and delivers a minimum of 8 gph (30.3 L) of water at 50° F (10° C) cooled from 80° F (26.7° C) inlet water at 90° F (32.2° C) ambient. 115 Volts, 60Hz, rated watts: 370, full load amps: 5.

**REQUIRES MODELS H1119.8, HCR8 & MTGFR.LG ORDERED SEPARATELY.**

## APPLICATIONS

Perfect for either public or private settings, our stainless steel electric drinking fountains are a great fit in indoor environments. Specifically, this type fountain may be placed in settings such as: schools, office buildings, shopping malls, and other indoor environments. Electric water coolers are not recommended or designed for outdoor applications or enclosed pool areas (chlorine). These conditions may void warranty. Model meets all current Federal Regulations for the disabled including those in the Americans with Disabilities Act. Haws manufactures drinking fountains, faucets and electric water coolers to be lead-free by all known definitions including NSF/ANSI/CAN 61-Section 9, NSF/ANSI/CAN 372, California Proposition 65, and the Federal Safe Drinking Water Act. Product is compliant to California Health and Safety Code 116875 (AB 1953-2006), and 116876 (AB 100) "NSF/ANSI/CAN 61: Q ≤ 1". Haws electric water coolers comply with ARI Standard 1010 and ANSI A117.1, and are listed by Underwriter Laboratories to U.S. and Canadian standards.





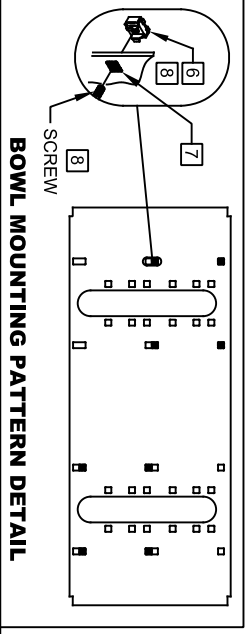
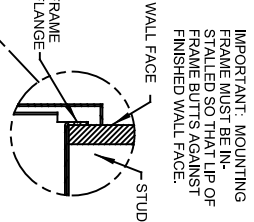
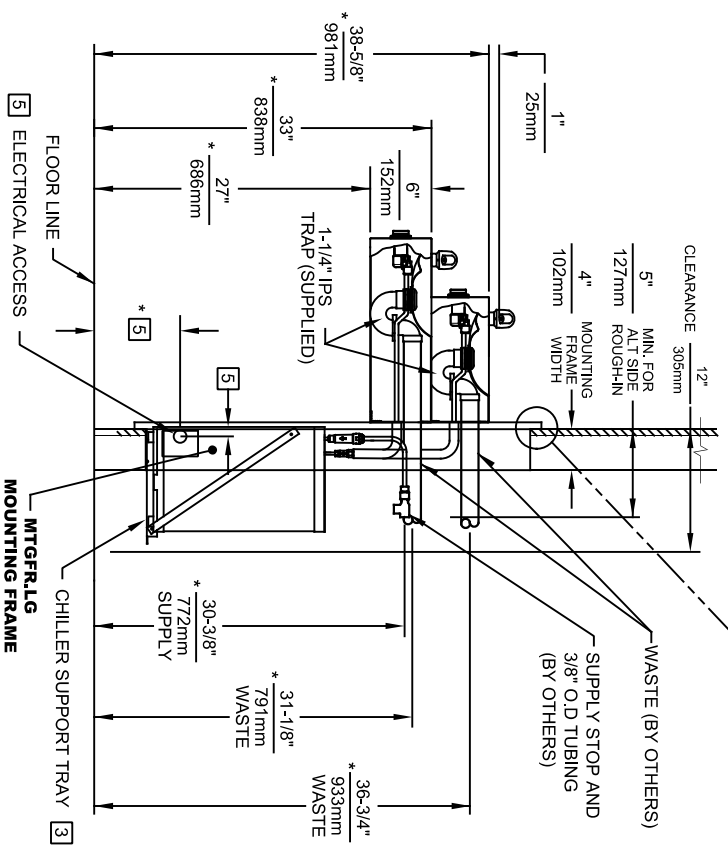
**HCR8 CHILLER - SOLD SEPARATELY**

INLINE STRAINER, 1/4" OD TUBE X 3/8" OD TUBE INLET (SUPPLIED)

3/8" OD TUBING, INSULATION, TEE & FITTING (SUPPLIED)

**NOTES:**

- HOLD ROUGH-IN DIMENSIONS ± 1/8" (3.2mm)
- WHEN INSTALLING THIS UNIT, LOCAL, STATE OR FEDERAL CODES SHOULD BE ADHERED TO. FOR INSTALLATION HEIGHTS OTHER THAN SHOWN, DIMENSIONS MARKED (\*) MUST BE ADJUSTED ACCORDINGLY.
- ALIGN HOLES IN CHILLER SUPPORT TRAY WITH HOLES IN FRAME AND FASTEN WITH #10 SHEET METAL SCREWS.
- REFER TO 5874 SERIES OPERATION AND MAINTENANCE MANUAL FOR PUSH BUTTON AND VALVE INSTALLATION/MAINTENANCE INSTRUCTIONS.
- REFER TO MTGRFLG INSTALLATION DRAWING FOR ROUGH-IN DIMENSIONS.
- INSERT 5/16"-18 PANEL INSERTS FROM OPPOSITE SIDE AT LOCATIONS SHOWN BY DARKENED HOLES. HOLE COMBINATIONS SHOWN ARE FOR USE WITH LOW FOUNTAIN ON THE RIGHT AND THE HI FOUNTAIN ON THE LEFT. USE OPPOSITE HOLES FOR HI ON RIGHT AND LOW ON LEFT.
- HOLE COMBINATION SHOWN BELOW IS FOR USE WITH LOW FOUNTAIN ON THE RIGHT AND HIGH FOUNTAIN ON THE LEFT. USE OPPOSITE HOLES FOR HIGH ON RIGHT AND LOW ON LEFT.
- TO CHANGE FOUNTAIN MTG. SCREW LOCATIONS: FIRST REMOVE SCREWS AND THEN SQUEEZE CLIPS ON NUT RETAINER TO POP OUT. SNAP INTO NEW POSITIONS AND RE-ASSEMBLE SCREWS.
- IMPORTANT: ALTHOUGH (OPTIONAL) CONFIGURATION WILL REQUIRE A DIFFERENT BACK PANEL AND THE WASTE AND SUPPLY DIMENSIONS SHOWN (\*) MUST BE REVERSED.
- MAXIMUM ADJUSTABLE RANGE IS 15° FROM PARALLEL TO BACK WALL.



**5 ELECTRICAL ACCESS**

**3 CHILLER SUPPORT TRAY REQUIRED - SOLD SEPARATELY**

**5 MOUNTING FRAME REQUIRED - SOLD SEPARATELY**

**Haws**  
Since 1906

1455 KLEPPE LANE  
SPARKS, NEVADA 89431  
(775) 359-4712 FAX (775) 358-7424  
E-MAIL: HAWS@HAWSCO.COM  
WEBSITE: WWW.HAWSCO.COM

REVISED PERBY: JG  
DATE: CHKO:  
DRAWN: FASQUEZ (8941248) JIG  
APPROVED: DVN (0211725)  
SCALE: 1:19 DRAWING TYPE: INSTALLATION  
SIZE: A SHEET 1 OF 1

MODEL(S) 1119.8

PART NUMBER 0002080262.D  
REVISION 24

CALLOUT LEGEND	
A	1/4" OD WATER OUTLET
B	3/8" OD WATER INLET
C	TEMPERATURE CONTROL
D	JUNCTION BOX
E	ELECTRICAL WIRING OPENING

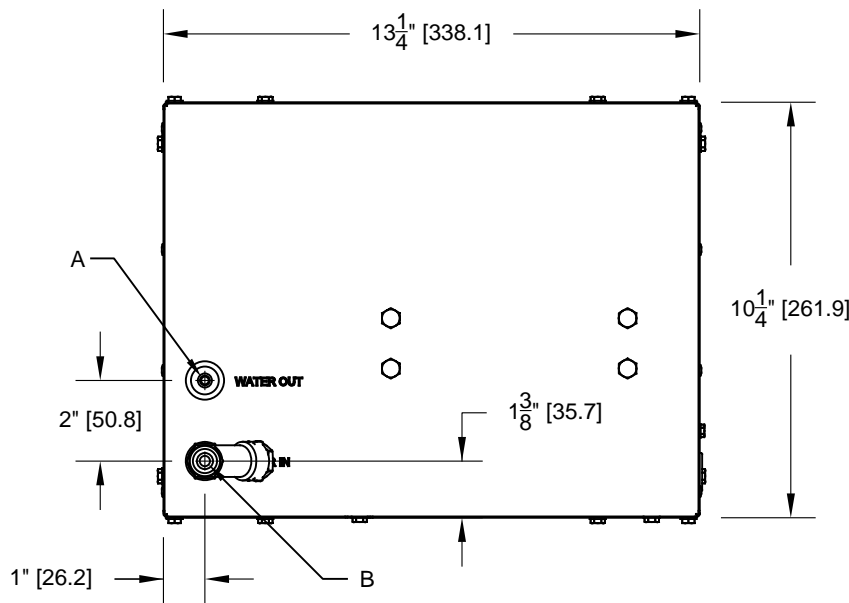


FIG. 2

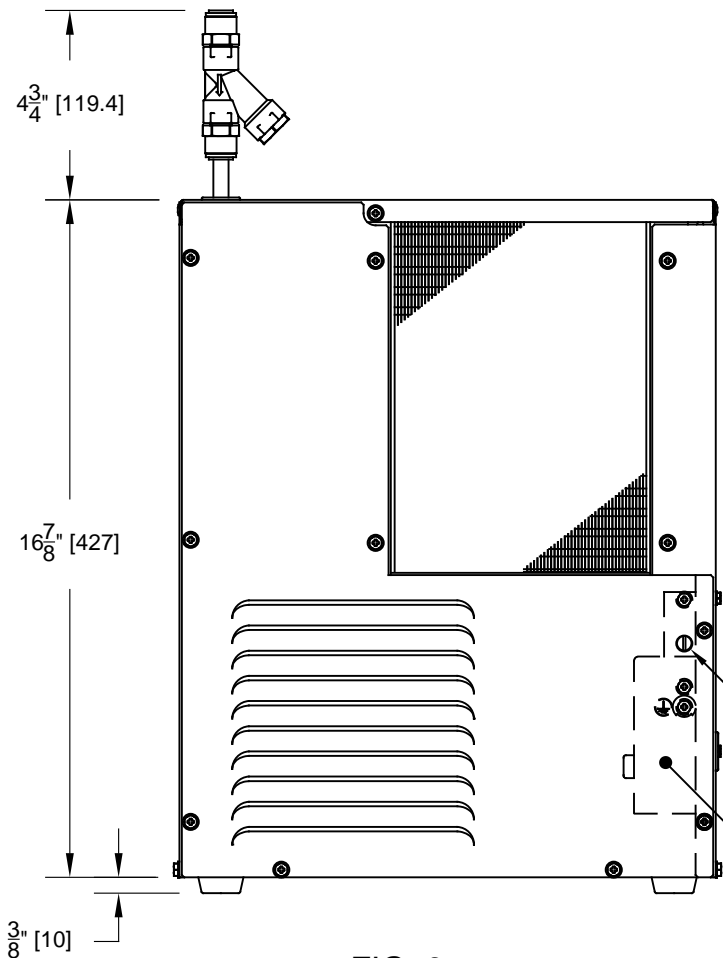


FIG. 3

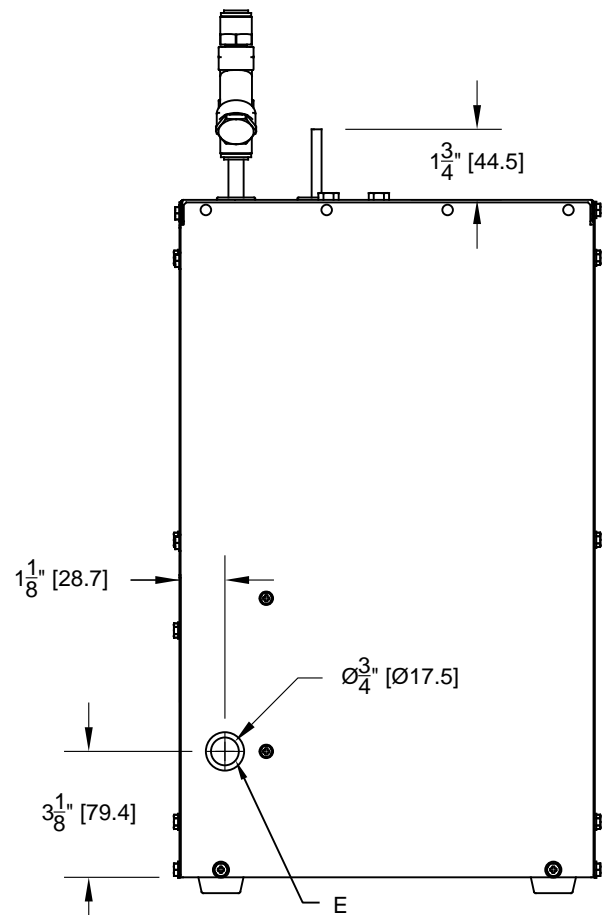


FIG. 4

		<b>Haws</b> <sup>®</sup>		1455 KLEPPE LANE SPARKS, NEVADA 89431 (775) 359-4712 FAX (775) 359-7424 E-MAIL: HAWS@HAWSCO.COM WEBSITE: WWW.HAWSCO.COM	
				ECN NO. 4997 DRAWN VVC APPROVED JL	REVISED PER BY ECN: 5401 DATE 01/25/16 DATE 02/05/19
SCALE: NA		DRAWING TYPE: INSTALLATION		SIZE: A	

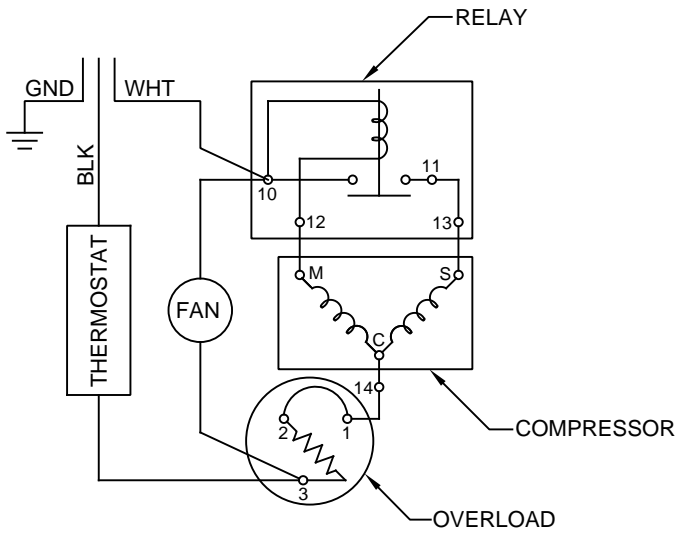


FIG. 5  
WIRING DIAGRAM

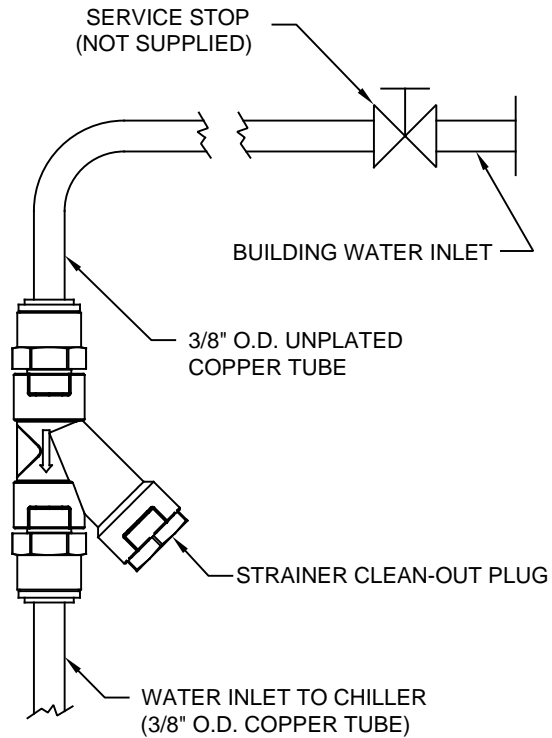
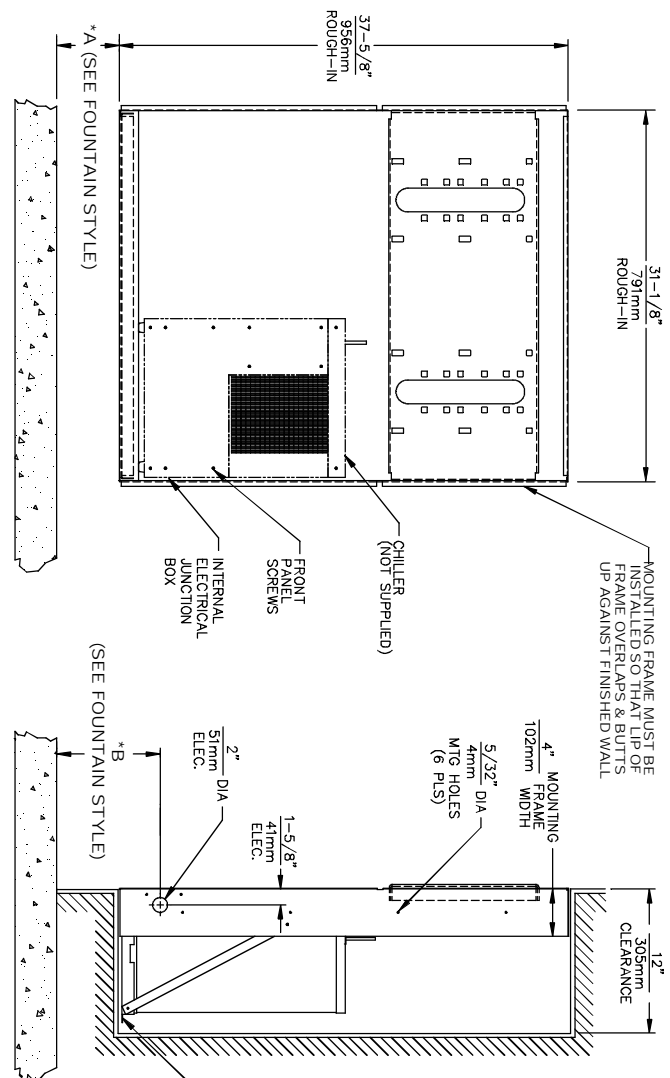


FIG. 6  
WATER CONNECTION DIAGRAM

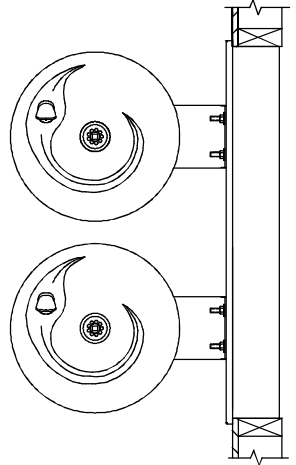
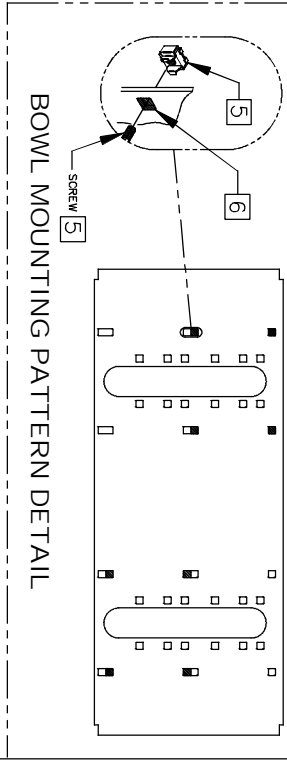
		<b>Haws</b> <sup>®</sup>		1455 KLEPPE LANE SPARKS, NEVADA 89431 (775) 359-4712 FAX (775) 359-7424 E-MAIL: HAWS@HAWS.CO.COM WEBSITE: WWW.HAWS.CO.COM	
				ECN NO. 4997 DRAWN VWC APPROVED JL	REVISED PER DATE 01/25/16 BY DHP CHKD DHP
DATE 02/05/19		SCALE: NA	DRAWING TYPE: INSTALLATION	SIZE: A	SHEET 2 OF 2



- CHILLER ELECTRICAL INSTALLATION**
1. ENSURE ELECTRICAL POWER IS OFF AND POWER MATCHES VOLTAGE, PHASE AND CYCLE LISTED ON CHILLER LABEL.
  2. REMOVE FRONT PANEL TO GAIN ACCESS TO INTERNAL JUNCTION BOX.
  3. HARDWIRE CHILLER THROUGH ITS SIDE. WIRE IN ACCORDANCE WITH LOCAL, STATE OR FEDERAL CODES.
  4. REPLACE FRONT PANEL. DO NOT APPLY POWER UNTIL WATER SUPPLY IS CONNECTED AND ON.

**MOUNTING FRAME INSTALLATION**

1. THIS FRAME IS USED WITH SEVERAL DIFFERENT MODELS. SEE INSTALLATION INSTRUCTIONS RECEIVED WITH THE FOUNTAIN FOR PROPER LOCATIONS OF 5/16-18 PANEL NUT RETAINERS. FOR ROUGH-IN USE THE APPROPRIATE DIMENSIONS SHOWN ABOVE. WASTE AND SUPPLY HEIGHTS ARE ALSO DETAILED ON THE FOUNTAIN INSTALLATION INSTRUCTIONS.
2. HOLD ROUGH-IN DIMENSIONS  $\pm 1/8"$  (3.2mm).
3. WHEN INSTALLING THIS UNIT LOCAL, STATE OR FEDERAL CODES SHOULD BE ADHERED TO. FOR DIFFERENT INSTALLATION HEIGHTS, OTHER THAN SHOWN, DIMENSIONS MARKED (\*) MUST BE ADJUSTED ACCORINGLY.
4. ALIGN HOLES IN CHILLER SUPPORT TRAY WITH HOLES IN FRAME AND FASTEN IN PLACE WITH #10 SHEET-METAL SCREWS SUPPLIED WITH UNIT.
5. FOUNTAIN REMOVAL: FIRST REMOVE SCREWS AND THEN SQUEEZE CLIPS ON NUT RETAINER TO POP OUT. INSTALL IS REVERSE OF REMOVAL.
6. HOLE COMBINATION SHOWN ABOVE IS FOR USE WITH LOW FOUNTAIN ON THE RIGHT AND HIGH FOUNTAIN ON THE LEFT. USE OPPOSITE HOLES FOR HIGH ON RIGHT AND LOW ON LEFT.
7. IMPORTANT: A L.H. LOW (OPTIONAL) CONFIGURATION WILL REQUIRE A DIFFERENT BACK PANEL AND THE WASTE AND SUPPLY DIMENSIONS SHOWN (\*) MUST BE REVERSED.



\* IF YOUR FOUNTAIN IS THIS STYLE USE THESE DIMENSIONS

A	B
2-1/4" (57mm)	5-3/4" (146mm)

\* IF YOUR FOUNTAIN IS THIS STYLE USE THESE DIMENSIONS

A	B
3-15/16" (100mm)	7-7/16" (189mm)

**INFO FAX :** 1-888-FAX-HAWS (1-888-329-4297)  
 1455 Klappé Ln, Sparks, NY, 89431  
 Phone: 775-359-4712 Fax: 775-359-7424  
 Haws Ag, Böhmerg 3 CH-3401 Burgdorf, Switzerland  
 Haws Wg, Fte Ltd 74 Sungai Kadut Loop Singapore 729531  
 e-mail: Haws@hawsco.com website: www.hawsco.com

FOR NO.:	REVISION PER:	DATE:	MODEL(S):
D. ZHOU	06/97	06/97	MTGFR LG MOUNTING FRAME DUAL

DRAWING TYPE: INSTALLATION/BACKPACK  
 SCALE: 1:10  
 INFO FAX DOC # 2654  
 PART NUMBER: 06665A00  
 SIZE: A | SHT: 1 OF 1