

FEATURES & BENEFITS

CONSTRUCTION

Unit is made of 18 gauge Type 304 stainless steel with a satin finish that resists stains and corrosion, and has soft, rounded corners. Unit features stainless steel satin finish back panel, vandal-resistant bottom plate, and 1-1/4" integral trap.

BUBBLER HEAD

Polished chrome-plated brass bubbler head with integral 11/16" dia. basin shank and stainless anti-rotation roll pin for vandal resistance strength. Shielded, angled stream opening provides a steady, sanitary source of drinking water at .45 gpm.

DRINKING FOUNTAIN VALVE

The push-button activated valve offers the only all stainless steel valve body that is machined out of solid bar stock, is fully serviceable through the front of the push button assembly offering access to the water control cartridge and integral water supply strainer, and with front access to the water stream height adjustment for easy maintenance without having to remove the valve. Operating pressure range of 30 to 90 psi (2.1 to 6.2 bar).

VANDAL RESISTANT

The bubbler head, push button, drain strainer and bottom plate are locked in place, discouraging unwanted vandal tampering.

MOUNTING

Heavy-duty 16-gauge galvanized steel mounting frame with welded-in heavy-duty 10 gauge mounting plate with pre-punched mounting holes. Further convenience is given to the chiller with the integral fold-out shelf.

INTEGRATED TRAP

All cast brass 1-1/4" NPT adjustable trap completely concealed inside bottom plate for easy installation and access.

OPTIONS

- Water Filter: Model 6480 filter kit with 3000 gallon carbon block filter, filter head, and mounting bracket.
- Bottle Filler: Model 1920, bottle filler can be a stand-alone station, or mounted above Haws 1109 series drinking fountain models.
- Strainer, 1920 Drip Tray: Model 6469, bottle filler drip tray accessory for combining the 1920 bottle filler with the 1109 style drinking fountains.
- Back Panel: Model BP15, satin finish stainless steel 15 inch back panel for Model 1920.

For more information, visit www.hawsc.com or call (888) 640-4297.



SPECIFICATIONS

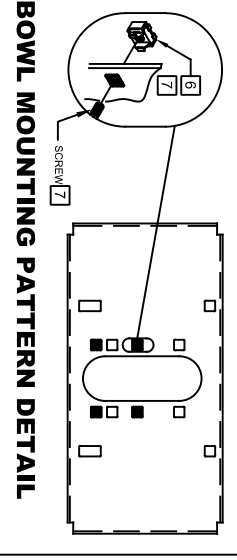
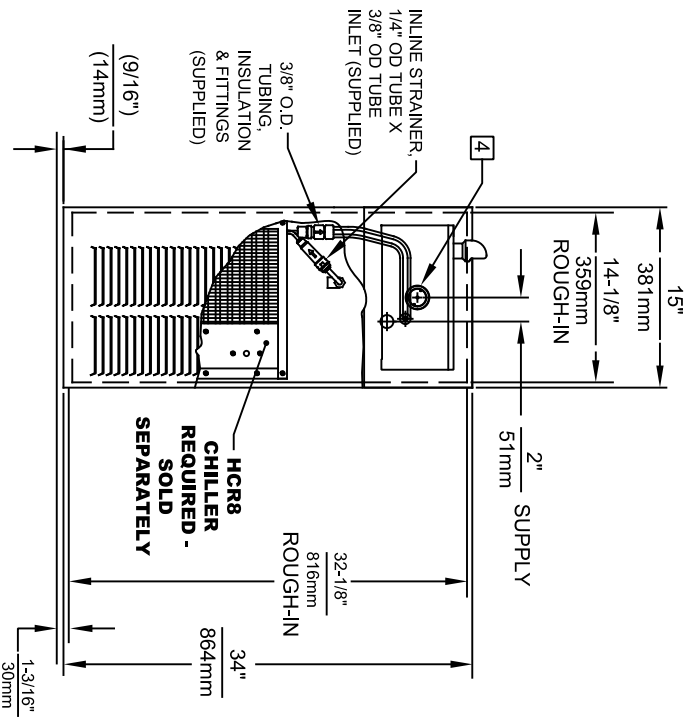
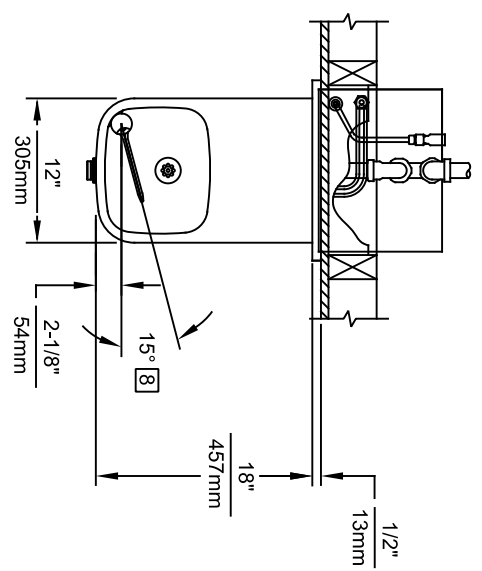
Model H1109.8 electric ADA wall mounted vandal-resistant water cooler shall include an 18 gauge Type 304 Stainless Steel satin finish basin, 16 gauge galvanized steel in-wall mounting frame with welded-in heavy-duty 10 gauge mounting plate, vandal-resistant push-button operated stainless steel valve with front-accessible cartridge, in-line strainer and flow adjustment, 100% lead-free waterways, polished chrome-plated brass vandal-resistant bubbler head, polished chrome-plated brass vandal-resistant waste strainer, vandal-resistant bottom plate, stainless steel satin finish back panel and louvered intrusion-proof grill, and 1-1/4" NPT concealed all cast-brass trap. The refrigeration system is hermetically sealed and delivers a minimum of 8 gph (30.3 L) of water at 50° F (10° C) cooled from 80° F (26.7° C) inlet water at 90° F (32.2° C) ambient. 115 Volts, 60Hz, rated watts: 370, full load amps: 5.

REQUIRES MODELS H1109.8, HCR8 & MTGFR.7 ORDERED SEPARATELY.

APPLICATIONS

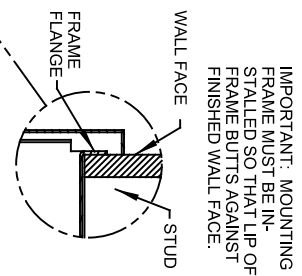
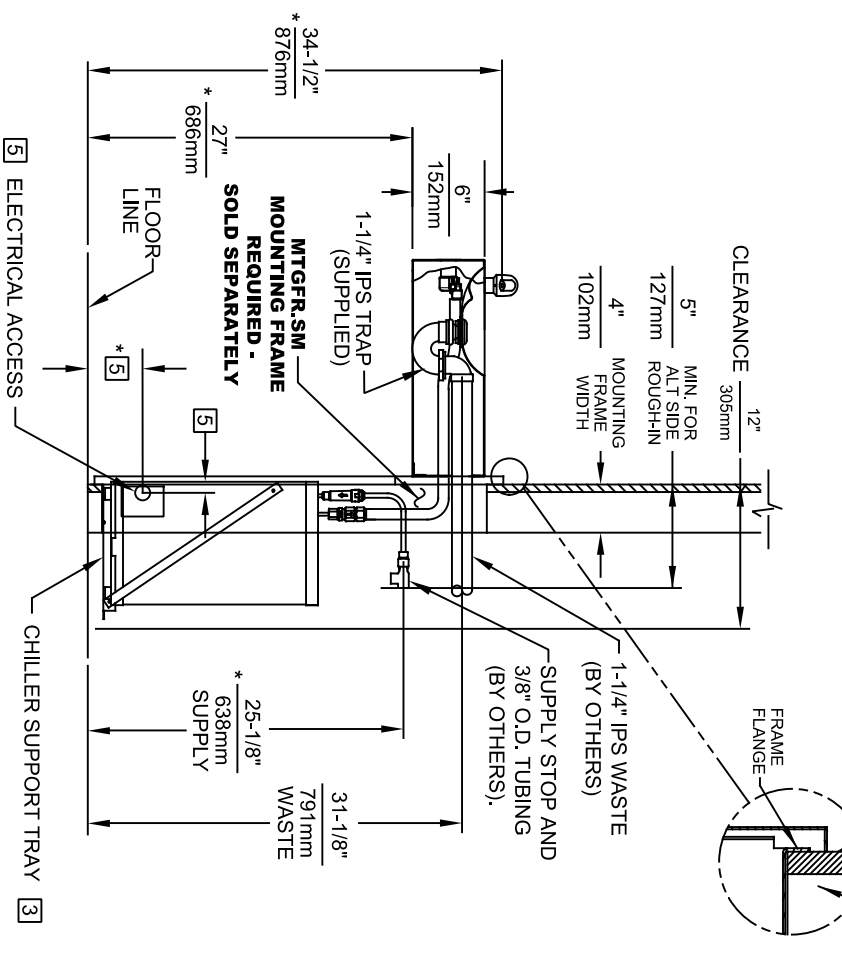
Perfect for either public or private settings, our stainless steel electric drinking fountains are a great fit in indoor environments. Specifically, this type fountain may be placed in settings such as: schools, office buildings, shopping malls, and other indoor environments. Electric water coolers are not recommended or designed for outdoor applications or enclosed pool areas (chlorine). These conditions may void warranty. Model meets all current Federal Regulations for the disabled including those in the Americans with Disabilities Act. Haws manufactures drinking fountains, faucets and electric water coolers to be lead-free by all known definitions including NSF/ANSI/CAN 61-Section 9, NSF/ANSI/CAN 372, California Proposition 65, and the Federal Safe Drinking Water Act. Product is compliant to California Health and Safety Code 116875 (AB 1953-2006), and 116876 (AB 100) "NSF/ANSI/CAN 61: Q ≤ 1". Haws electric water coolers comply with ARI Standard 1010 and ANSI A117.1, and are listed by Underwriter Laboratories to U.S. and Canadian standards.





BOWL MOUNTING PATTERN DETAIL

- NOTES:**
1. HOLD ROUGH-IN DIMENSIONS $\pm 1/8"$ (3.2mm)
 2. WHEN INSTALLING THIS UNIT, LOCAL, STATE, OR FEDERAL CODES SHOULD BE ADHERED TO. FOR INSTALLATION HEIGHTS OTHER THAN SHOWN, DIMENSIONS MARKED (*) MUST BE ADJUSTED ACCORDINGLY.
 3. ALIGN HOLES IN CHILLER SUPPORT TRAY WITH HOLES IN FRAME AND FASTEN WITH #10 SHEETMETAL SCREWS.
 4. REFER TO 8874 SERIES OPERATION AND MAINTENANCE MANUAL FOR PUSH BUTTON AND VALVE INSTALLATION/MAINTENANCE INSTRUCTIONS.
 5. REFER TO MTGFR-SM INSTALLATION DRAWING FOR ROUGH-IN DIMENSIONS.
 6. INSERT 5/16"-18 PANEL INSERTS FROM OPPOSITE SIDE AT LOCATIONS SHOWN BY DARKENED HOLES.
 7. FOUNTAIN REMOVAL: FIRST REMOVE SCREWS AND THEN SQUEEZE CLIPS ON NUT RETAINER TO POP OUT. INSTALL IS REVERSE OF REMOVAL.
 7. MAXIMUM RANGES IS 15° FROM PARALLEL TO BACK WALL.



Haws Since 1906		1455 KLEPPE LANE SPARKS, NEVADA 89431 (775) 358-4712 FAX (775) 358-7424 E-MAIL: HAWS@HAWS.CO.COM WEBSITE: WWW.HAWS.CO.COM	
ECU NO. REVISED PER BY: EON 6148 JLG DRAWING: EON 6148 JLG APPROVED: EVANSQUEZ (DATE) JG DATE: 02/11/25	MODEL(S) 1109.8	SCALE: 1:15 DRAWING TYPE: INSTALLATION	PART NUMBER: 0002080252.D REVISION: 21

CALLOUT LEGEND	
A	1/4" OD WATER OUTLET
B	3/8" OD WATER INLET
C	TEMPERATURE CONTROL
D	JUNCTION BOX
E	ELECTRICAL WIRING OPENING

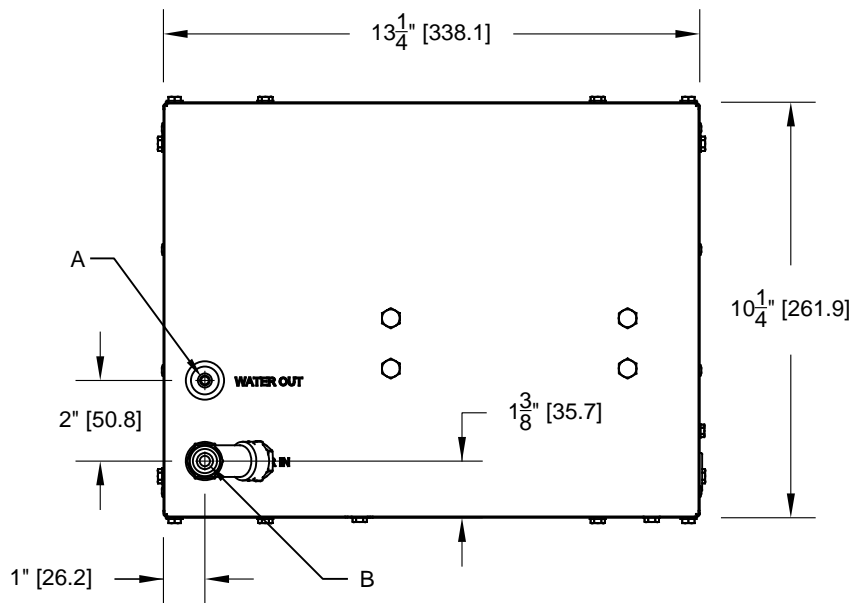


FIG. 2

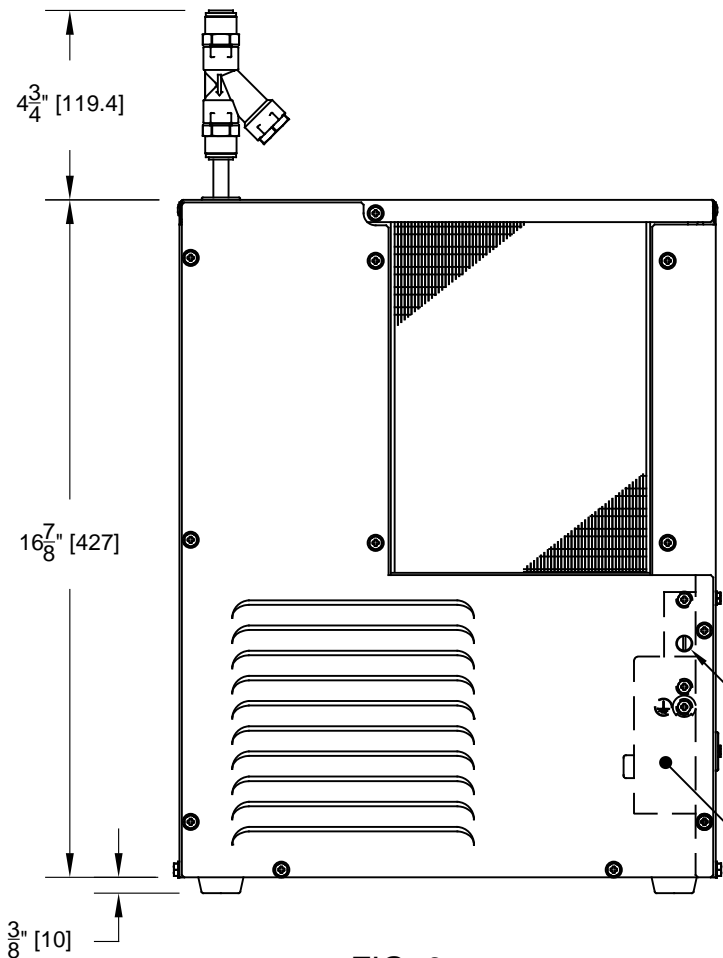


FIG. 3

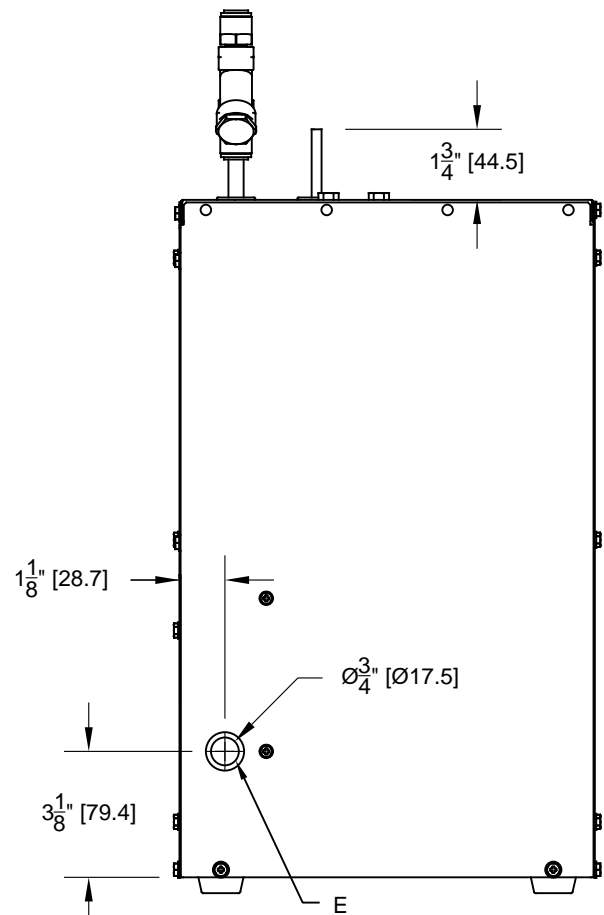


FIG. 4

		Haws ®		1455 KLEPPE LANE SPARKS, NEVADA 89431 (775) 359-4712 FAX (775) 359-7424 E-MAIL: HAWS@HAWSCO.COM WEBSITE: WWW.HAWSCO.COM	
				ECN NO. 4997 DRAWN VWC APPROVED JL	REVISED PER BY ECN: 5401 DATE 01/25/16 DATE 02/05/19
SCALE: NA		DRAWING TYPE: INSTALLATION		SIZE: A	

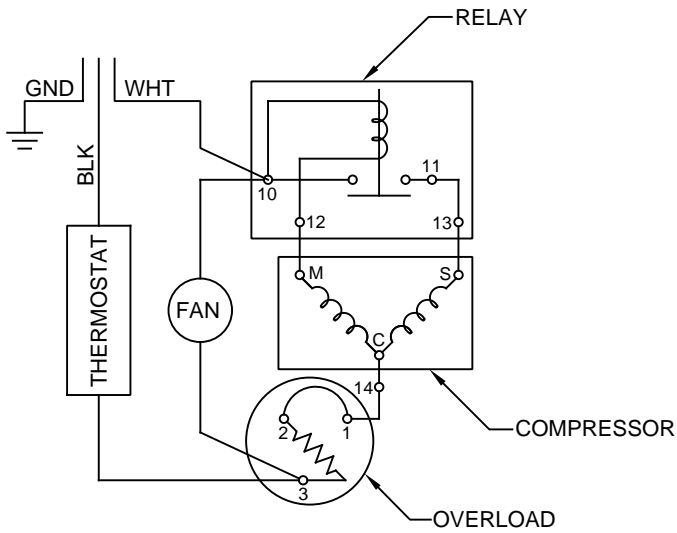


FIG. 5
WIRING DIAGRAM

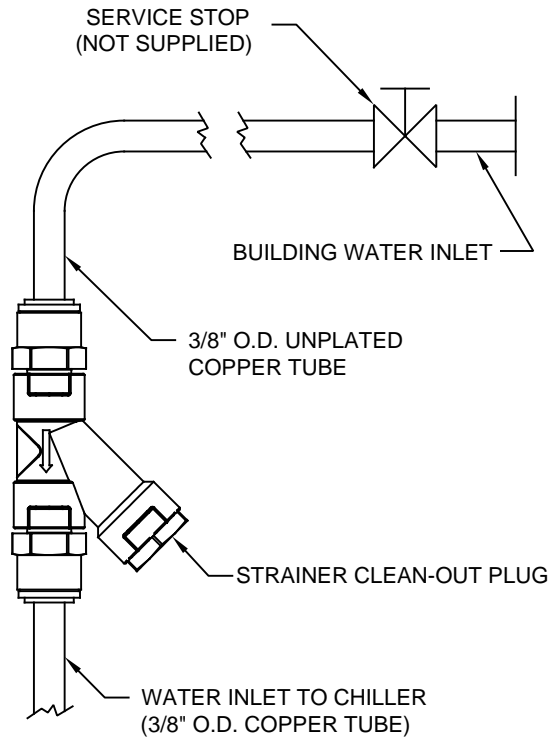
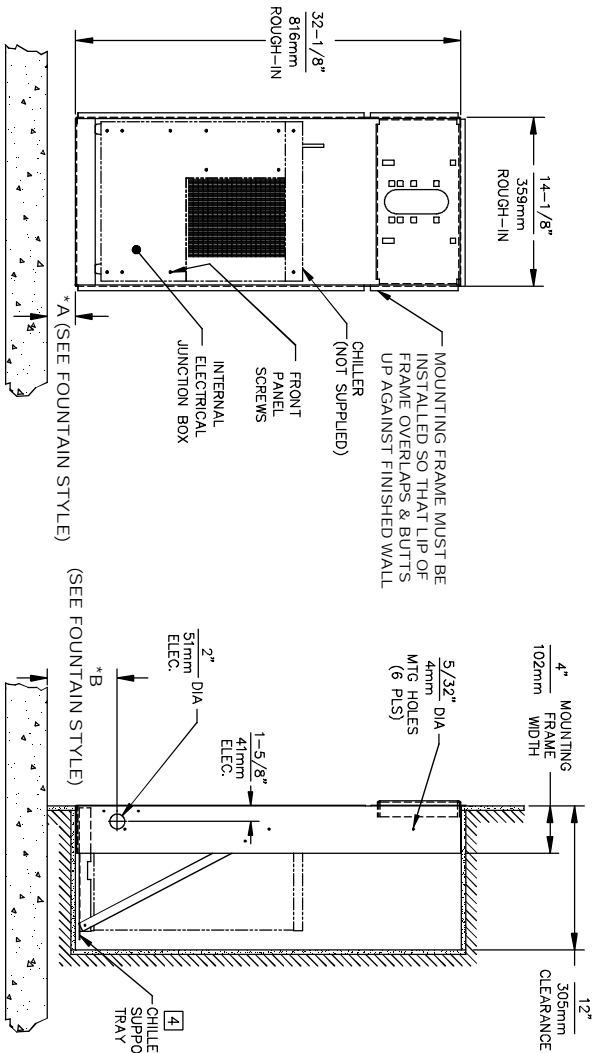


FIG. 6
WATER CONNECTION DIAGRAM

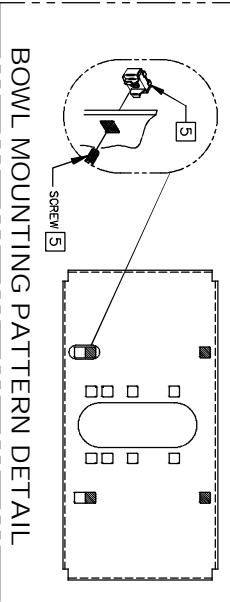
		1455 KLEPPE LANE SPARKS, NEVADA 89431 (775) 359-4712 FAX (775) 359-7424 E-MAIL: HAWS@HAWSO.COM WEBSITE: WWW.HAWSO.COM			
				ECN NO. 4997 DRAWN VWC APPROVED JL	REVISED PER ECN: 5401 DATE 01/25/16 DATE 02/05/19
SCALE: NA		DRAWING TYPE: INSTALLATION		SIZE: A	SHEET 2 OF 2



- CHILLER ELECTRICAL INSTALLATION**
1. ENSURE ELECTRICAL POWER IS OFF AND POWER MATCHES VOLTAGE, PHASE AND CYCLE LISTED ON CHILLER LABEL.
 2. REMOVE FRONT PANEL TO GAIN ACCESS TO INTERNAL JUNCTION BOX.
 3. HARDWIRE CHILLER THROUGH ITS SIDE WIRE IN ACCORDANCE WITH LOCAL, STATE OR FEDERAL ELECTRICAL CODES.
 4. REPLACE FRONT PANEL. DO NOT APPLY POWER UNTIL WATER SUPPLY IS CONNECTED AND ON.

MOUNTING FRAME INSTALLATION

1. THIS FRAME IS USED WITH SEVERAL DIFFERENT MODELS. SEE INSTALLATION INSTRUCTIONS RECEIVED WITH THE FOUNTAIN FOR PROPER LOCATIONS OF 5/16-18 PANEL NUT RETAINERS. FOR ROUGH-IN USE THE APPROPRIATE DIMENSIONS SHOWN ABOVE. WASTE AND SUPPLY HEIGHTS ARE ALSO DETAILED ON THE FOUNTAIN INSTALLATION INSTRUCTIONS.
2. HOLD ROUGH-IN DIMENSIONS ±1/8" (3.2mm).
3. WHEN INSTALLING THIS UNIT LOCAL, STATE OR FEDERAL CODES SHOULD BE ADHERED TO. FOR DIFFERENT INSTALLATION HEIGHTS OTHER THAN SHOWN, DIMENSIONS MARKED (*) MUST BE ADJUSTED ACCORDINGLY.
4. ALIGN HOLES IN CHILLER SUPPORT TRAY WITH HOLES IN FRAME AND FASTEN IN PLACE WITH #10 SHEET-METAL SCREWS SUPPLIED WITH UNIT.
5. FOUNTAIN REMOVAL: FIRST REMOVE SCREWS AND THEN SQUEEZE CLIPS ON NUT RETAINER TO POP OUT. INSTALL IS REVERSE OF REMOVAL.

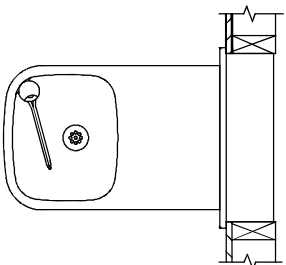


* IF YOUR FOUNTAIN IS THIS STYLE USE THESE DIMENSIONS

A	B
1-3/8" (35mm)	4-7/8" (124mm)

* IF YOUR FOUNTAIN IS THIS STYLE USE THESE DIMENSIONS

A	B
1-3/16" (30mm)	4-11/16" (119mm)



Haws Corporation

INFO FAX : 1-888-FAX-HAWS (1-888-329-4297)
 1455 Kleppe Ln, Sparks NV, 89431
 Phone: 775-359-4712 Fax: 775-359-7424
 Haws Ag Boehrweg 3 CH-3401 Burgdorf Switzerland
 Haws Mfg Pte Ltd 74 Sungai Kedut Loop Singapore 729531
 e-mail: Haws@hawsco.com website: www.hawsco.com

FORM NO. 06650A00

DATE: 08/97

SCALE: 1:16

DRAWING TYPE: INSTALLATION/BACKPACK

SIZE: A 1 OF 1

REV: 4

DRWG. NO. 06650A00

DATE: 08/97

SCALE: 1:16

DRAWING TYPE: INSTALLATION/BACKPACK

SIZE: A 1 OF 1