

FEATURES & BENEFITS

OPTIONS

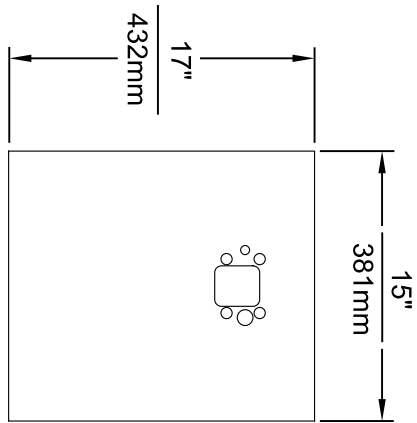
For more information, visit www.hawSCO.com or call (888) 640-4297.



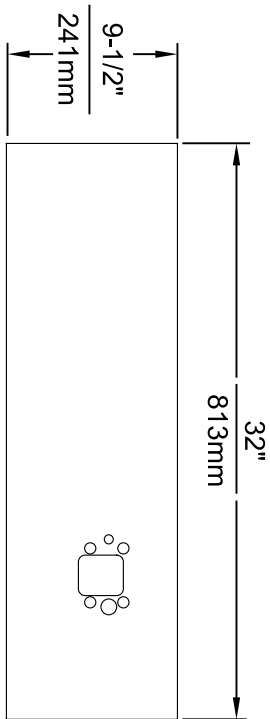
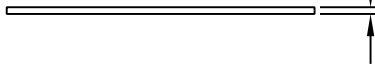
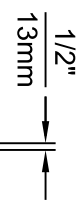
SPECIFICATIONS

Model BP32R is a versatile and decorative reversed mount back panel for model 1920 bottle filler that increases location visibility, and also helps protect wall from inadvertent splash. This back panel is 32" x 9.5" (81 x 24 cm) stainless steel with a satin finish, and allows the bottle filler to be mounted over the left side low portion of the fountain that has been reversed from right side low. BP32R can be used with model 1920 over 1011, 1117 and 1119 series dual fountains.

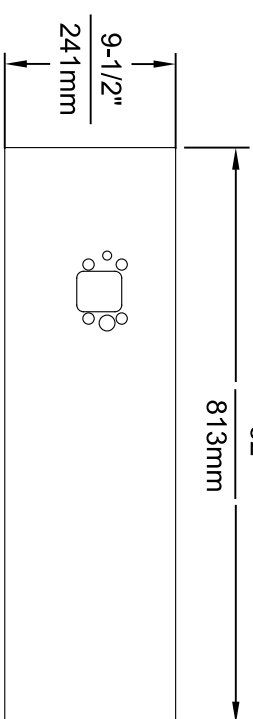
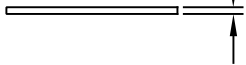
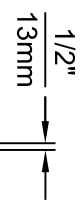
APPLICATIONS



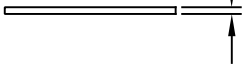
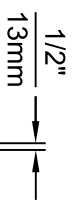
MODEL BP15 / BP15HPS / BP15W



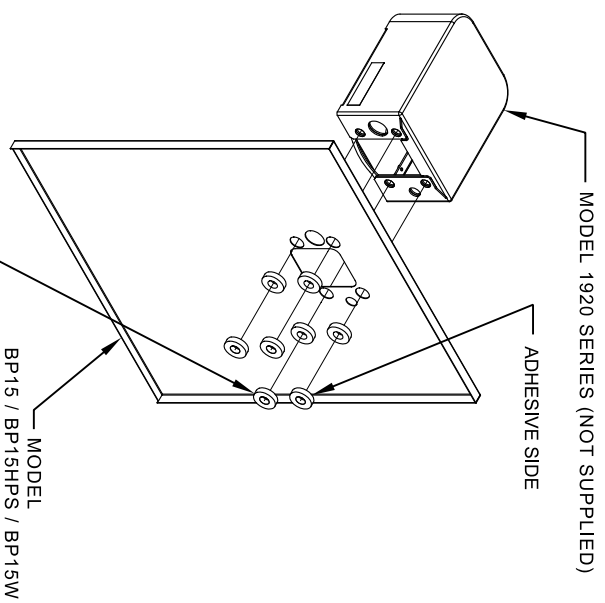
MODEL BP32 / BP32HPS / BP32W



MODEL BP32R / BP32RW



- NOTES:
1. WHEN INSTALLING THIS UNIT, LOCAL, STATE OR FEDERAL CODES SHOULD BE ADHERED TO.
 2. BOTTLE FILLER SHOWN FOR REFERENCE ONLY (NOT SUPPLIED).



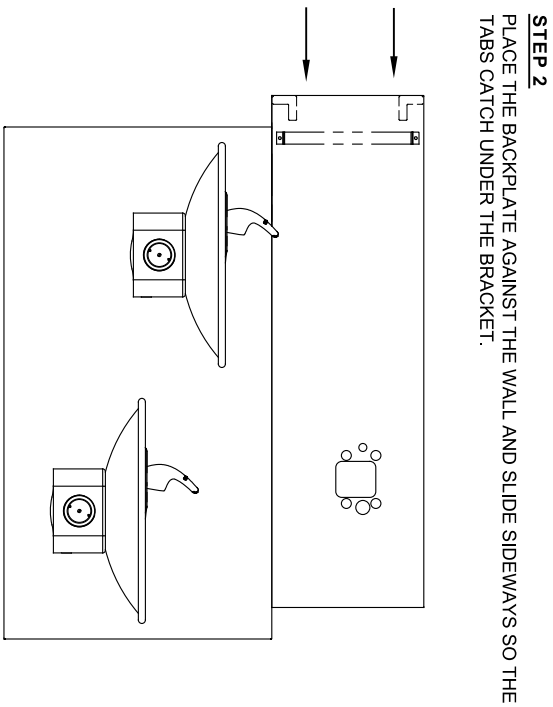
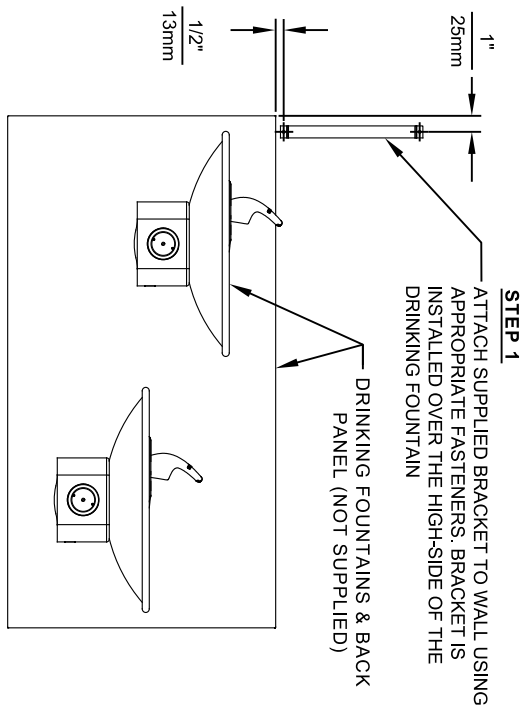
8 SPACERS (2 PER MOUNTING BOLT IF THE MOUNTING PLATE (MODEL 6700 - NOT SUPPLIED) IS INSTALLED BEHIND THE FINISHED WALL. USE 1 SPACER PER BOLT FOR RETROFITS WHERE THE MOUNTING PLATE (MODEL 6700R - NOT SUPPLIED) IS INSTALLED IN FRONT OF THE FINISHED WALL)

INSTALLATION OVER SINGLE FOUNTAIN

SHOWN FROM REAR

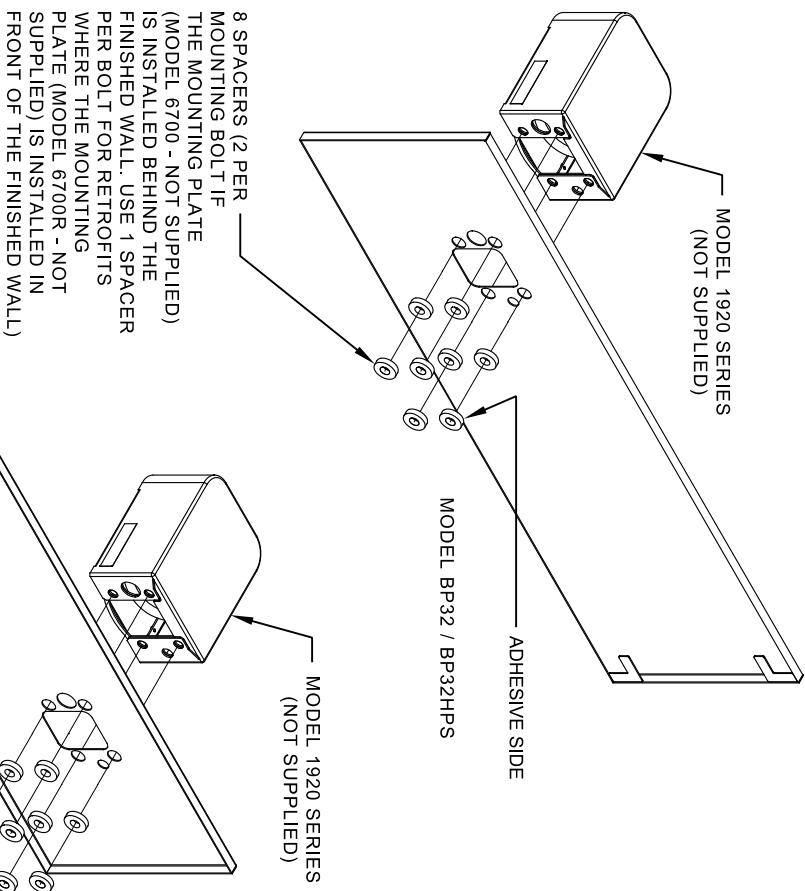
(SEE SHEET 3 OF 3 FOR INSTALLATION OF SPACERS ON COMBINATION BOTTLE FILLER AND FOUNTAIN BACK PANELS FOR CHILD HEIGHT APPLICATIONS - MODELS BP15C & BP15WC)

		Since 1906	
EGN NO. REVISED PER BY: FV 5081 ECN: 5972		MODEL(S) DRAWING, BACK PANEL, SPACER INSTALLATION	
DRAWN: JC DATE: 06/27/16	CHK'D: JC DATE: 06/15/24	SCALE: 1"=1"	DRAWING TYPE: INSTALLATION
APPROVED: FV	PART NUMBER 0510000493	SIZE: A1	SHEET: 1 OF 3
1455 KLEPPLELANE SPARKS, NEVADA 89431 (775) 359-4712 FAX (775) 359-7424 E-MAIL: HAWS@HAWSCO.COM WEBSITE: WWW.HAWSCO.COM			

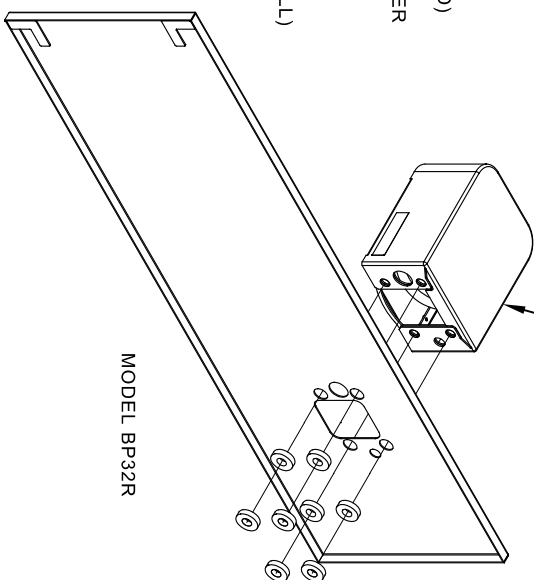



STEP 3
INSTALL THE BOTTLE FILLER (NOT SUPPLIED) PER THE INSTRUCTIONS SUPPLIED WITH THE UNIT.

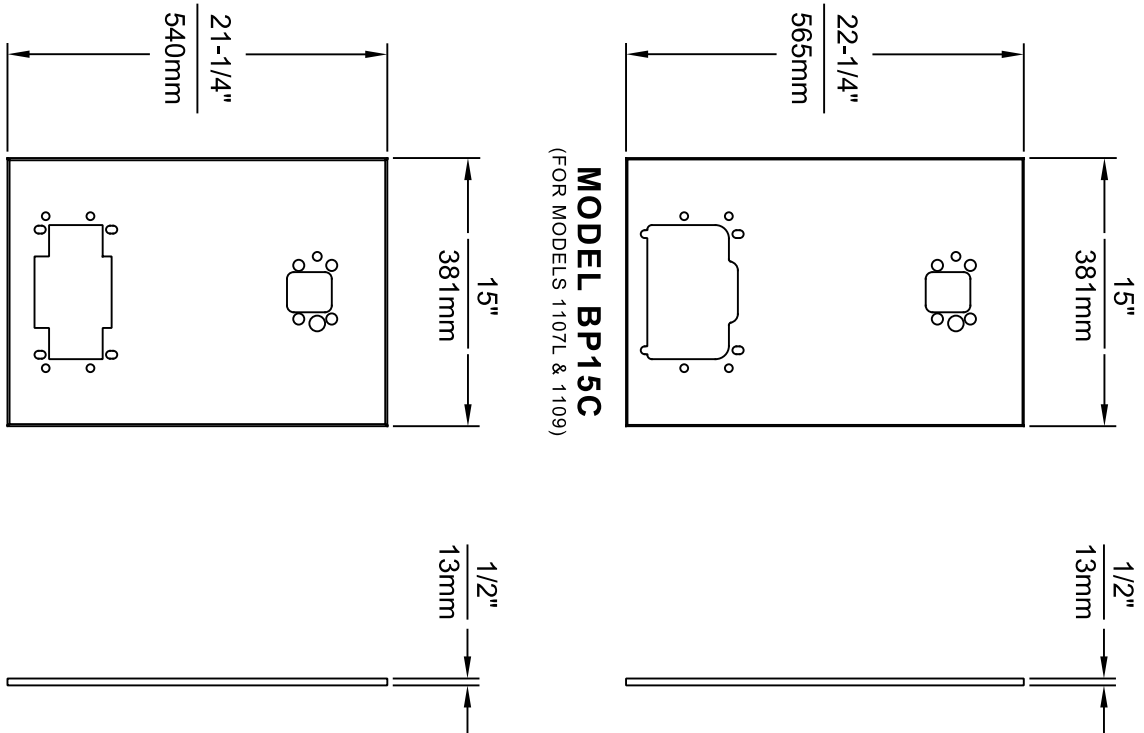
- NOTES:
1. WHEN INSTALLING THIS UNIT, LOCAL, STATE OR FEDERAL CODES SHOULD BE ADHERED TO.
 2. BOTTLE FILLERS, DRINKING FOUNTAINS & DRINKING FOUNTAIN BACK PANELS SHOWN FOR REFERENCE ONLY (NOT SUPPLIED).



INSTALLATION OVER DOUBLE FOUNTAIN SHOWN FROM REAR



 <p>Haws Since 1906</p>		<p>1455 KLEPPLELANE SPARKS, NEVADA 89431 (775) 359-4712 FAX (775) 359-7424 E-MAIL: HAWS@HAWSCO.COM WEBSITE: WWW.HAWSCO.COM</p>	
EGN NO. REVISED PER BY:	MODEL(S)	PART NUMBER	
5081 EGN: 5972 FV	MODEL(S)	0510000493	
DRAWN: DATE: 02/02/17	CHKD: JC	REVISION: 5	
APPROVED: FV DATE: 04/19/24	SCALE: 1:1	DRAWING TYPE: INSTALLATION	
<p>FOR BP15 SERIES & BP32 SERIES, BOTTLE FILLER</p>		<p>SIZE: A1 SHEET: 2 OF 3</p>	

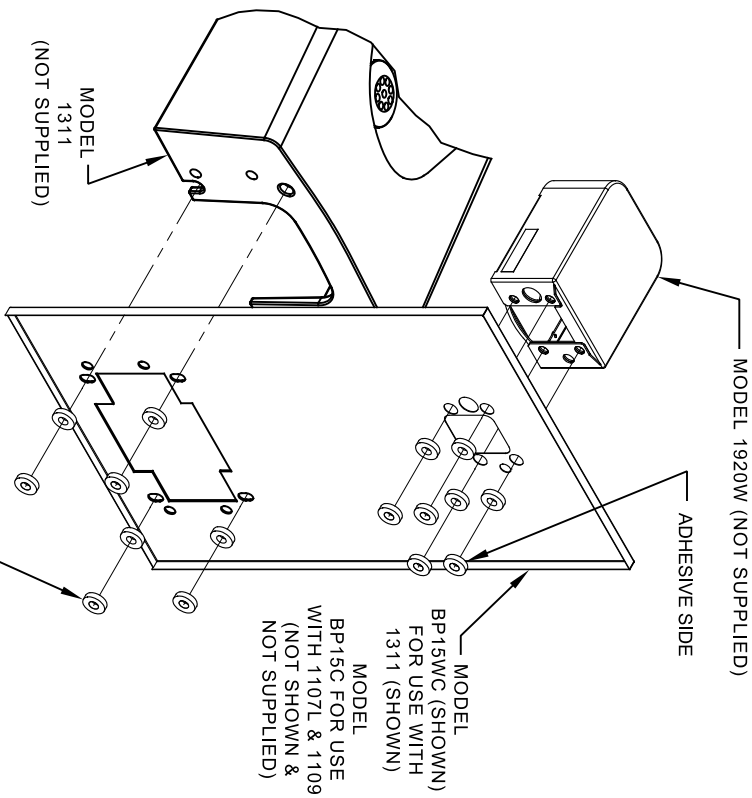


- NOTES:
1. WHEN INSTALLING THIS UNIT, LOCAL, STATE OR FEDERAL CODES SHOULD BE ADHERED TO.
 2. BOTTLE FILLER AND DRINKING FOUNTAIN SHOWN FOR REFERENCE ONLY (NOT SUPPLIED).

MODEL BP15WC
(FOR MODEL 1311)

MODEL BP15C
(FOR MODELS 1107L & 1109)


16 SPACERS (2 PER MOUNTING BOLT IF BOTH MOUNTING PLATES (MODEL 6700 - NOT SUPPLIED) ARE INSTALLED BEHIND THE FINISHED WALL. USE 1 SPACER PER BOLT FOR RETROFITS WHERE BOTH MOUNTING PLATES (MODEL 6700R - NOT SUPPLIED) ARE INSTALLED IN FRONT OF THE FINISHED WALL)



ONE PIECE INSTALLATION ON SINGLE FOUNTAIN

SHOWN FROM REAR

(MODEL BP15C & BP15WC ARE COMBINATION BOTTLE FILLER AND FOUNTAIN BACK PANELS USED FOR CHILD HEIGHT APPLICATIONS ONLY ON MODELS 1107L, 1109 & 1311 - BOTTLE FILLER & DRINKING FOUNTAIN NOT SUPPLIED)

 <p>Haws Since 1906</p>		<p>1455 KLEPPLELANE SPARKS, NEVADA 89431 (775) 359-4712 FAX (775) 359-4242 E-MAIL: HAWS@HAWSCO.COM WEBSITE: WWW.HAWSCO.COM</p>	
<p>ECON. NO. 5972 REVISED PER BY: FV DATE: 12/19/23 CHK'D: JC DATE: 04/19/24</p>	<p>MODEL(S) DRAWING, BACK PANEL, SPACER INSTALLATION FOR BP15 SERIES & BP32 SERIES, BOTTLE FILLER</p>	<p>PART NUMBER 0510000493 REVISION 5</p>	<p>SCALE: 1" = 1" DRAWING TYPE: INSTALLATION SIZE: A1 SHEET 3 OF 3</p>