

FEATURES & BENEFITS

OPTIONS

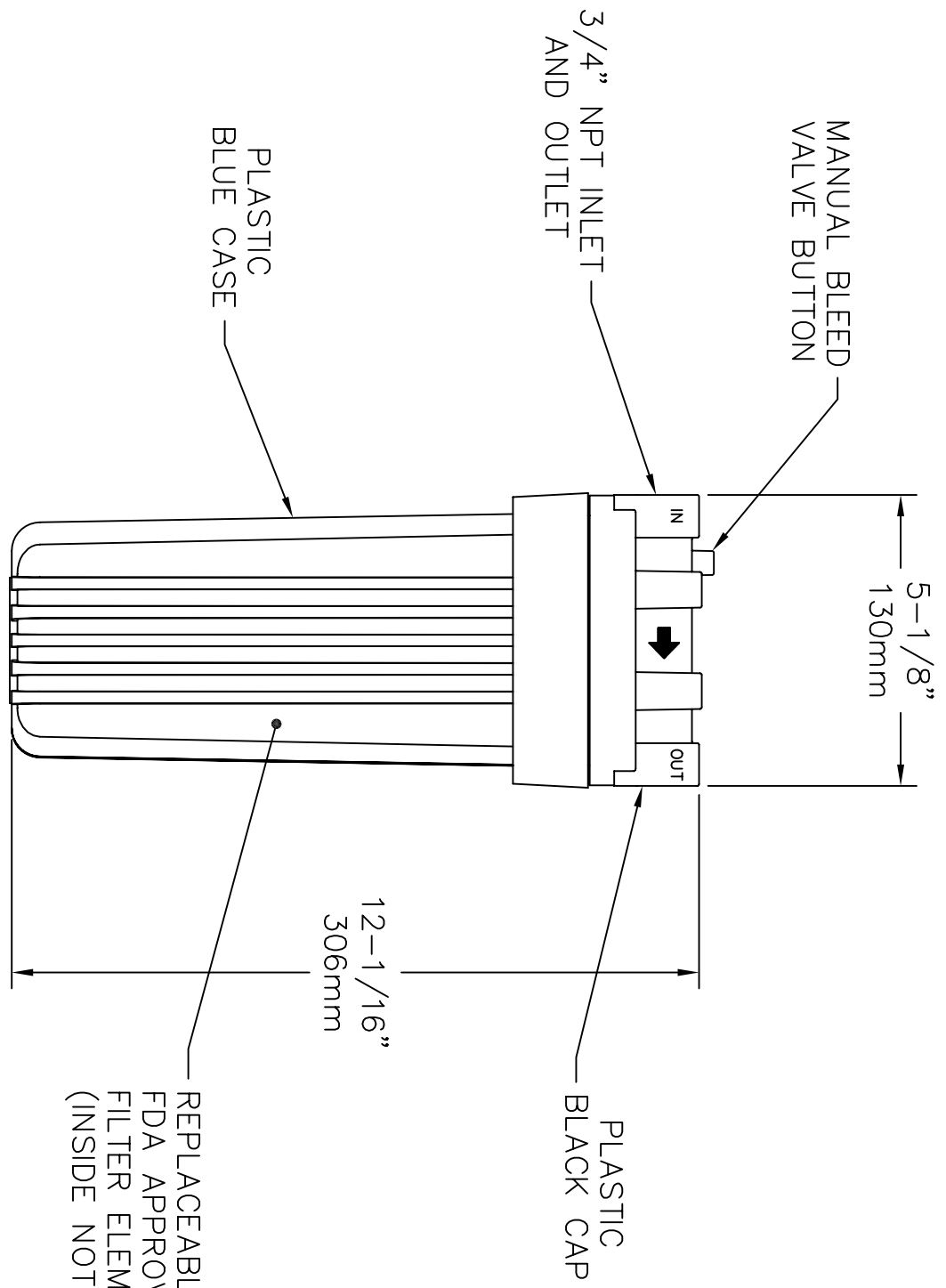
For more information, visit www.hawesco.com or call (888) 640-4297.



SPECIFICATIONS

Model 9070 Filter is recommended for installation on all eyewash units for additional protection for eyes. Made of FDA approved polypropylene with disposable FDA approved viscose fiber filter media which removes particles down to 20 microns. Flow Capacity: 7 gpm (26.5 L) max (recommended). Maximum Working Pressure: 125 psi (8.62 bar) Size: 15" (38.1 cm) overall by 5" (12.7 cm) diameter Supply: 3/4" NPT inlet and outlet.

APPLICATIONS



REPLACEABLE 20 MICRON
 FDA APPROVED VISCOSE
 FILTER ELEMENT MODEL 9070C
 (INSIDE NOT SHOWN)

20 MICRON EYEWASH FILTER WITH 5 GPM FLOW CAPACITY
 AT A MAXIMUM WORKING PRESSURE OF 125 PSI AT 125° F.

Haws Corporation

INFO FAX : 1-888-FAX-HAWS (1-888-329-4297)
 1455 Kleppe Ln, Sparks NV, 89431
 Phone: 775-359-4712 Fax: 775-359-7424
 Haws Ag, Bööchweg 3 CH-3401 Burgdorf Switzerland
 Haws Mfg Pte Ltd 74 Sungai Kadut Loop Singapore 729531
 e-mail: Haws@hawsco.com website: www.hawsco.com

DESIGNED PER	DATE	TITLE: FILTER WITH DISPOSABLE 20 MICRON ELEMENT
RTM	3/5/03	MODEL: 9070
ENGR		
CHKD		
APPV		
PART NUMBER	DRAWING NUMBER	REV
EN_9070	EN_9070	1
SIZE A	SHT. 1	OF 1

SCALE: SC DRAWING TYPE: ENVELOPE

DWG. NO. DWG-NO-S