

FEATURES & BENEFITS

OPTIONS

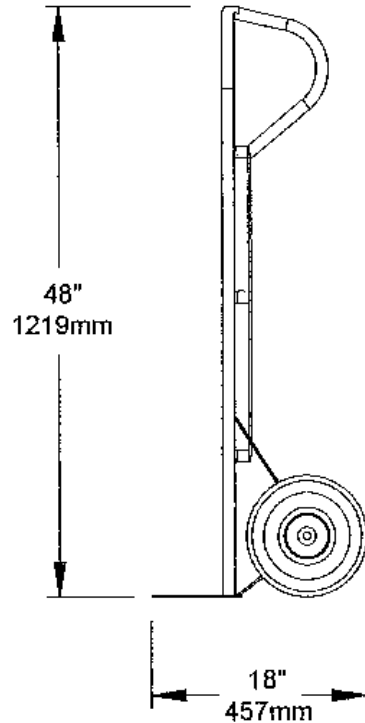
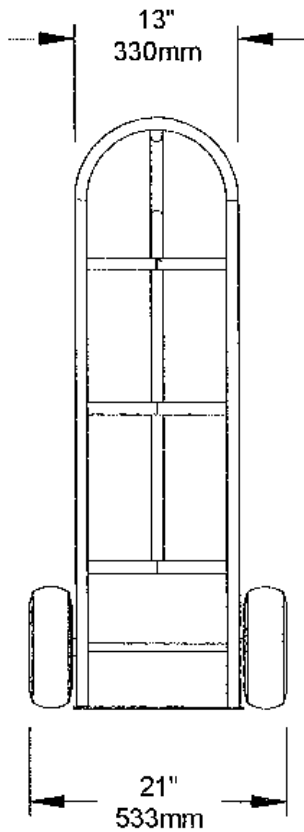
For more information, visit www.hawesco.com or call (888) 640-4297.



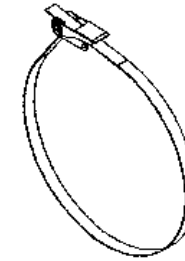
SPECIFICATIONS

Model 9008 cart designed to transport all stainless steel portable eyewashes. Unit is constructed of heavy-duty 1" (2.5 cm) tubular frame with grey powder-coated finish, features rubber wheels, and is equipped with a ratchet tie down strap to securely hold the tank to the cart.

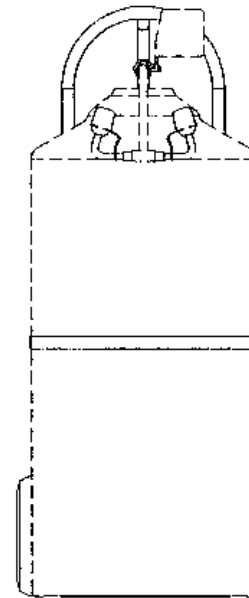
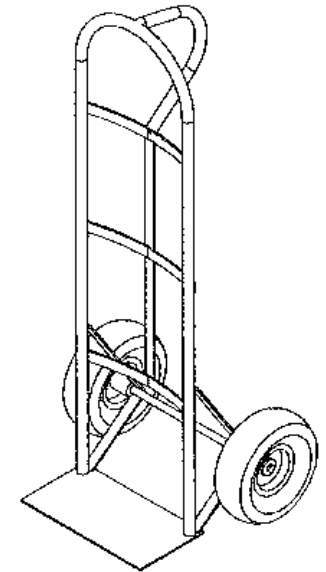
APPLICATIONS



STRAP



CART



STRAP FOR
SECURING TANK

SHOWN WITH
MODEL 7601.37
(NOT SUPPLIED)



1455 KLEPPE LANE
SPARKS, NEVADA 89431
(775) 359-4712 FAX (775) 359-7424
E-MAIL: HAWS@HAWS.CO.COM
WEBSITE: WWW.HAWS.CO.COM

GCN NO. REVISED PER BY:	MODEL(S)	PART NUMBER
ECN: 1992 VWC	9008 CART	0002080213
DRAWN: DATE: 09/08/08	FOR SST PORTABLE TANKS	DRAWING NO. REV
C. HAYES		12600A00 3
APPROVED: DATE: 11/11/11	SCALE: 1:1	DRAWING TYPE: INSTALLATION
		SIZE: A SHEET 1 OF 1