

FEATURES & BENEFITS

AUDIBLE/VISUAL

Notification of an emergency is clearly noticeable with a brightly flashing amber light and easily recognizable with a 90 db buzzer. Buzzer can be silenced during testing by use of the silencing switch.

FLOW SWITCH

The alarm is activated by an 1-1/4" IPS double pole, double throw brass flow switch that is supplied with an extra set of electrical contacts for remote alarm hook-up.

FLEXIBILITY

The alarm is easily placed in a number of mounting configurations with the supplied pipe clamp.

OPTIONS

For more information, visit www.hawscos.com or call (888) 640-4297.



SPECIFICATIONS

Model 9001TYPE4X emergency alarm and light system will be operated by a double pole, double throw flow switch, which contains multiple sets of contacts for remote activation, and activates an amber flashing light and buzzer at 90 db, audible at 10 feet (304.8 cm) (buzzer can be silenced during testing). Switch will activate at 2.4 gpm (9.1 L). System can be mounted to pipe or wall. Voltage: 120 VAC, 50 or 60 cycles. Supply: 1-1/4" IPS. Model 9001 is CSA electrical certified, TYPE 4X. (Equivalent to NEMA 4X)

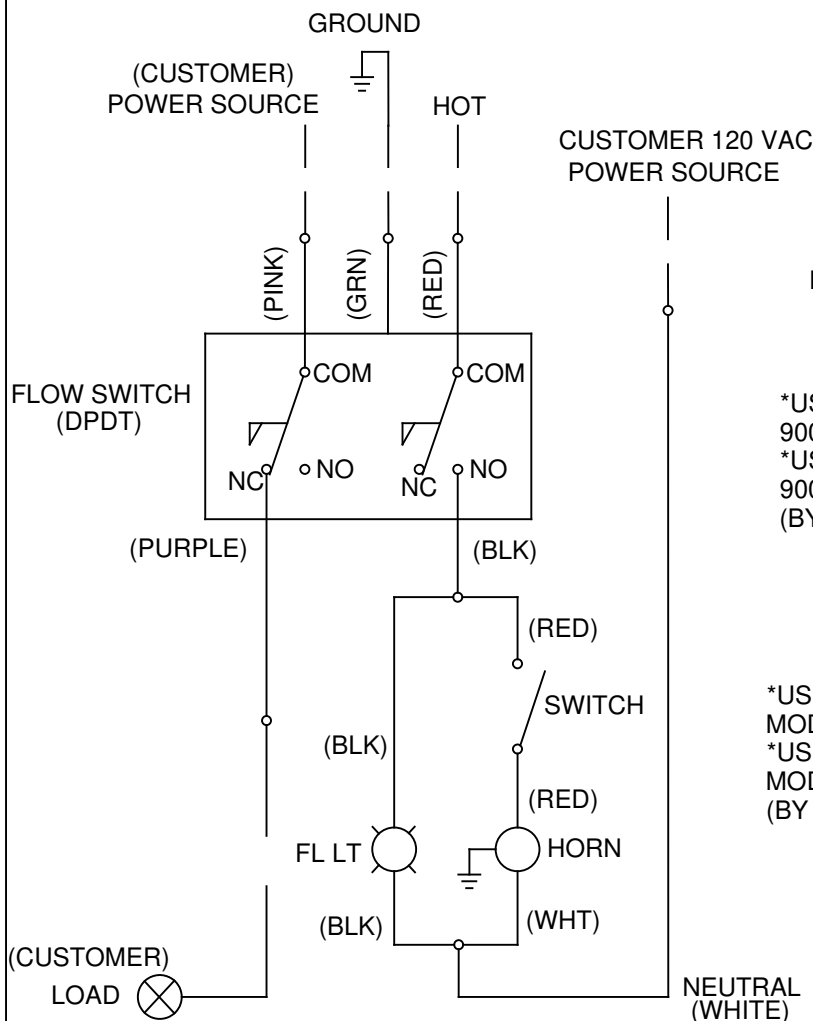
APPLICATIONS

Specifically, this alarm can be used with almost any Haws combination shower/eyewash model. Model 9001 is CSA electrical certified, TYPE 4X. (NEMA 4X equivalent)



NOTES:

1. THE SIGNAL FROM THE PURPLE WIRE WILL BE SUPPLY VOLTAGE WHEN NO WATER IS FLOWING AND ZERO VOLTAGE WHEN THE FLOW SWITCH AND LOCAL ALARM ARE ACTIVATED. IF A REMOTE ALARM IS NOT USED, THE PURPLE WIRE MUST BE INSULATED AT ITS FREE END. LEAVING THE TWO CRIMP TERMINALS (SUPPLIED) CONNECTED WILL DO THIS.
2. INSTALLER MUST USE A THREAD SEALANT, SUCH AS APPLETON TLC3, RECOMMENDED FOR USE ON ELECTRICAL COMPONENTS ON ALL ELECTRICAL NPT CONNECTIONS.



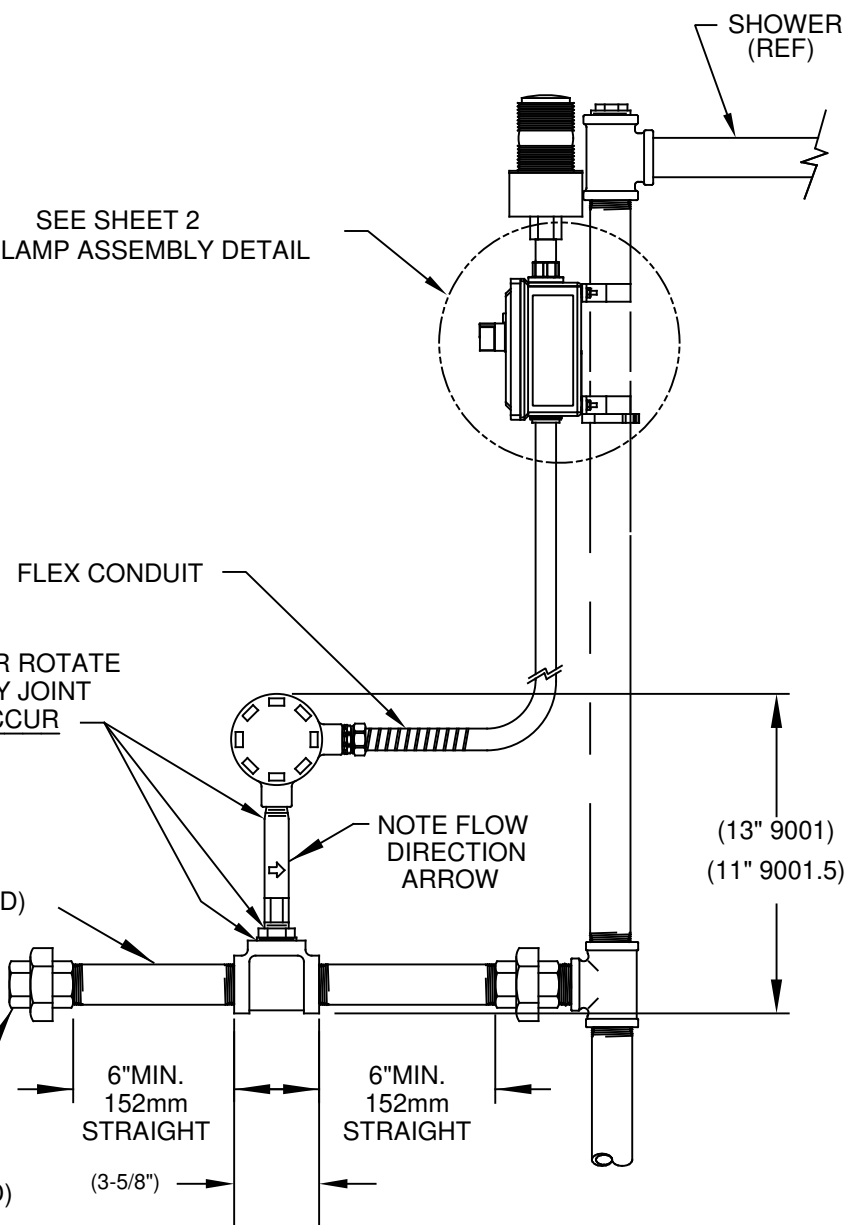
WIRING DIAGRAM

SEE SHEET 2 FOR CLAMP ASSEMBLY DETAIL

CAUTION:
DO NOT DISASSEMBLE OR ROTATE THIS ASSEMBLY AT ANY JOINT AS DAMAGE WILL OCCUR

*USE 1 1/4" IPS FOR MODEL 9001ESDTYPE4X.
*USE 1/2" IPS FOR MODEL 9001.5ESDTYPE4X.
(BY OTHERS RECOMMENDED)

*USE 1 1/4" UNIONS FOR MODEL 9001ESDTYPE4X.
*USE 1/2" UNIONS FOR MODEL 9001.5ESDTYPE4X
(BY OTHERS RECOMMENDED)

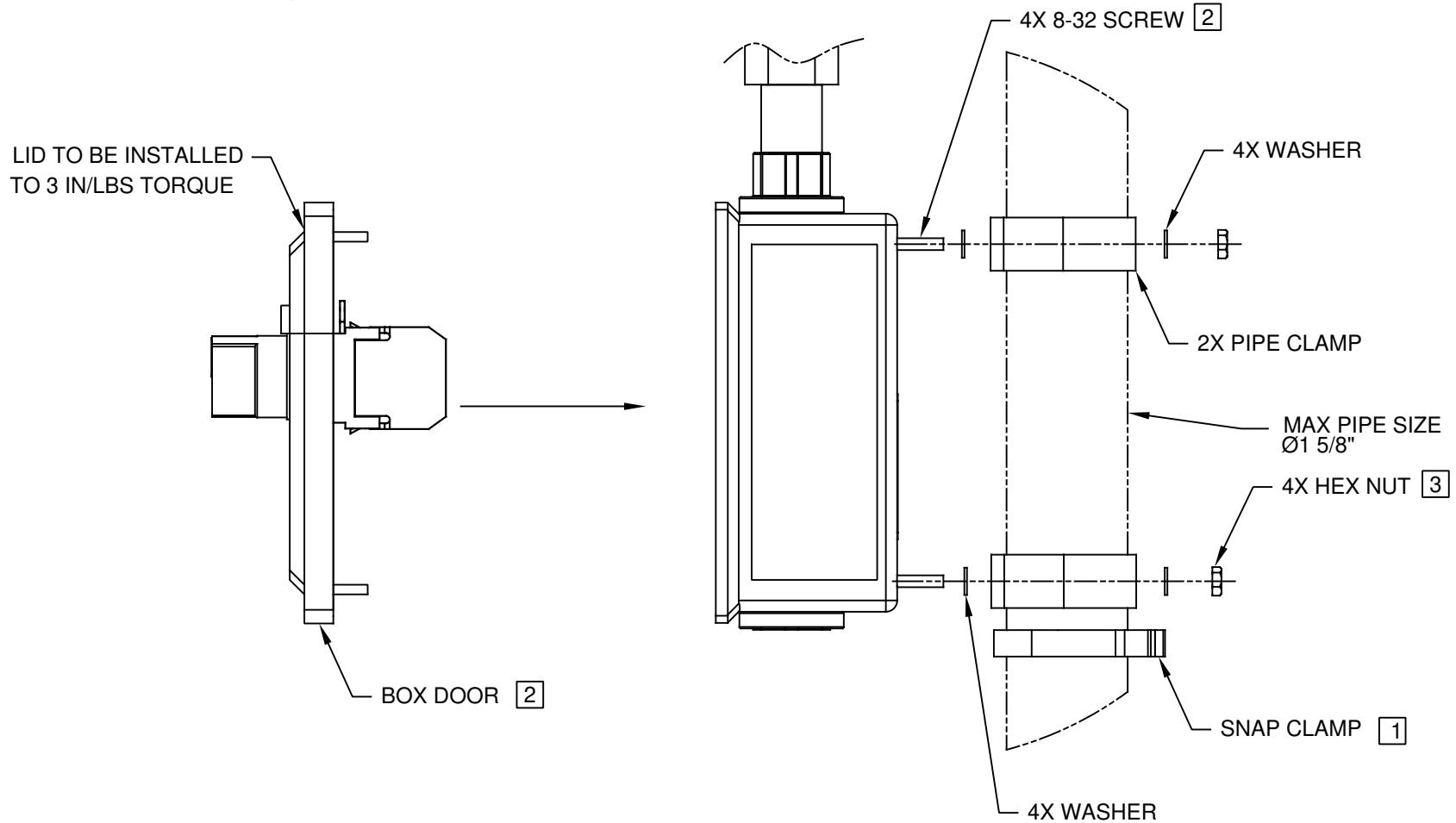


FLOW SWITCH MUST BE MOUNTED IN HORIZONTAL POSITION

		1455 KLEPPE LANE SPARKS, NEVADA 89431 (775) 359-4712 FAX (775) 359-7424 E-MAIL: HAWS@HAWS.CO.COM WEBSITE: WWW.HAWS.CO.COM	
		ECN NO. 4785 DRAWN: VWC APPROVED: FV	REVISED PER: ECN: 5232 DATE: 9/27/13 DATE: 11/22/17
PART NUMBER 0002080630.D			REVISION 5
SCALE: 1:1		DRAWING TYPE: INSTALLATION	SIZE: A SHEET 1 OF 2

NOTES:

- 1 SNAP CLAMP TO BE INSTALLED FIRST FOR VERTICAL SUPPORT.
- 2 SCREWS INSTALLED FROM FRONT, WITH BOX DOOR OFF.
- 3 NUTS TO BE INSTALLED TO A TORQUE OF 12 IN-LBS MAX.



CLAMP ASSEMBLY DETAIL

		1455 KLEPPE LANE SPARKS, NEVADA 89431 (775) 359-4712 FAX (775) 359-7424 E-MAIL: HAWS@HAWS.CO.COM WEBSITE: WWW.HAWS.CO.COM	
		ECN NO. 4785 DRAWN: VWC APPROVED: FV	REVISED PER: ECN: 5232 DATE: 9/26/13 DATE: 11/22/17
PART NUMBER 0002080630.D			REVISION 5
SCALE: 1:1		DRAWING TYPE: INSTALLATION	SIZE: A SHEET 2 OF 2