

## FEATURES & BENEFITS

### EYE/FACE WASH HEAD

AXION® MSR eye/face wash head uses an inverted directional laminar flow to sweep contaminants away from the vulnerable nasal cavity.

### VALVE

Valve is designed so full continuous flow occurs with the simple squeeze of a lever providing an easy start to the irrigation process.

### HOSE

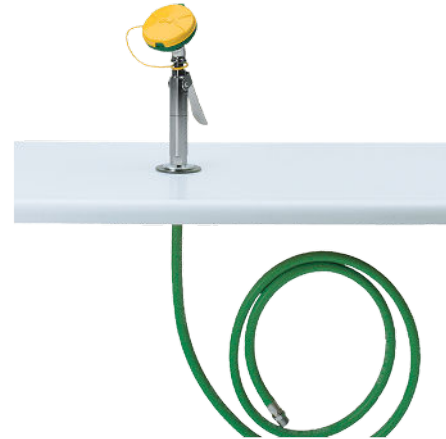
The 8' (243.8 cm) swivel hose delivers a wide coverage area and is pressure rated at 250 psi (17.2 bar) to further optimize durability.

### MOUNTING

Counter-mounted design provides a practical and space efficient piece of emergency equipment.

### SAFETY

8" x 10-3/4" (20.3 x 27.3 cm) universal emergency sign make the unit easily detected in an emergency. Test card to record weekly checks helps maintain the unit's best working quality.



## OPTIONS

- Thermostatic Mixing Valve: Model 9201EW AXION® Emergency Tempering Valve thermostatically mixes hot and cold water to provide a safe fluid supply for a single emergency eye/face wash, with a flow rate of 10 gpm (38.8 L).
- Emergency Alarm System : Model 9001.5, 1/2" 120 VAC emergency alarm and light system. Buzzer and flashing light are activated by a 1/2" IPS double pole, double throw flow switch.
- Thermostatic Mixing Valve: Model 9201EFE AXION® Emergency Tempering Valve thermostatically mixes hot and cold water to provide a safe fluid supply for a single emergency eye/face wash, with a flow rate of 12 gpm (38.8 L).
- Vacuum Breaker: Model SP212 is a chrome-plated brass vacuum breaker.

For more information, visit [www.hawsc.com](http://www.hawsc.com) or call (888) 640-4297.

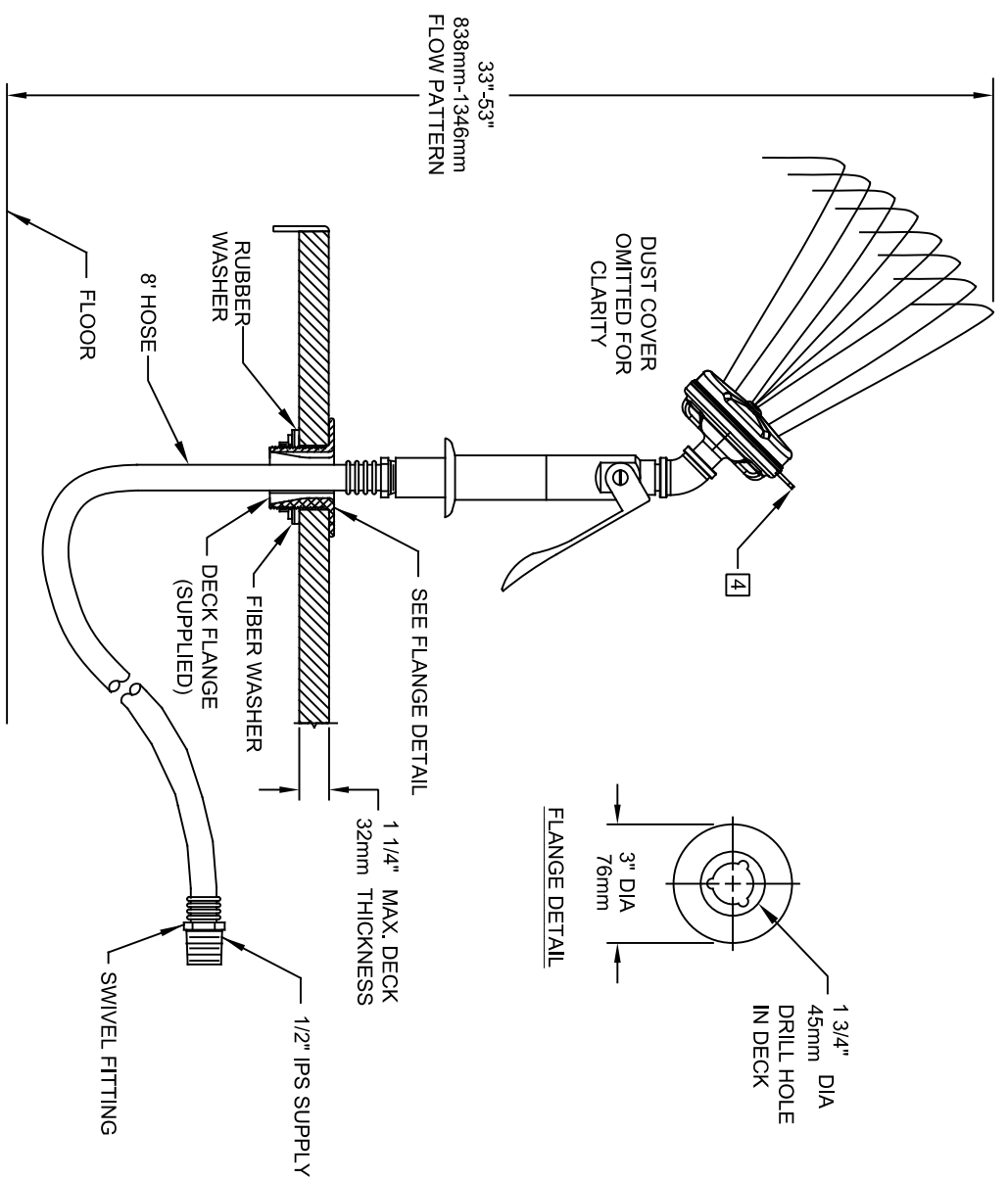
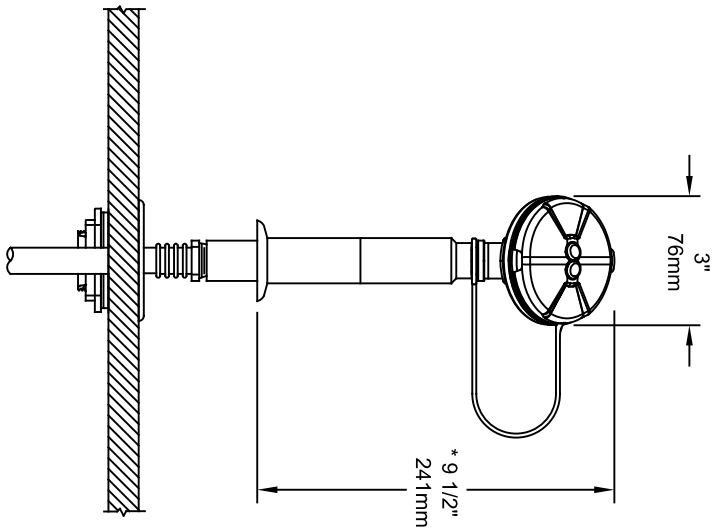
## SPECIFICATIONS

Model 8904 counter-mounted eye/face wash and body spray shall include an AXION® MSR eye/face wash head which features an inverted directional laminar flow which achieves "Zero Vertical Velocity" supplied by an integral 3.7 gpm flow control. The unit shall also include a chrome plated brass stay-open squeeze lever valve, 8 foot (243.8 cm) 250 psi (17.2 bar) green hose with chrome-plated swivel fitting at one end, Noryl plastic deck flange with integral key slot for proper positioning of unit, universal sign, and 1/2" NPT inlet. In order to comply with state codes the use of a vacuum breaker is required with all hand held eye/face wash body spray units (Haws offers model SP212)

## APPLICATIONS


Perfect for the environment where safety is of the utmost importance and an extended coverage area may be needed. When installed properly, the functionally constructed, deck mounted design is space efficient. Model 8904 is certified by CSA to meet the ANSI/ISEA Z358.1 Standard for Emergency Eyewash and Shower Equipment.





NOTES:

1. WHEN INSTALLING THIS UNIT, LOCAL, STATE, OR FEDERAL CODES SHOULD BE ADHERED TO FOR INSTALLATION DIMENSIONS (LOCATIONS), WASTE AND SUPPLY REQUIREMENTS OTHER THAN SHOWN.
2. TO COMPLY WITH ANSI Z358.1-2014 FOR EMERGENCY EYEWASH OR EYE/FACE WASH: EYEWASH OR EYE/FACE WASH SHALL BE POSITIONED SUCH THAT FLUSHING FLUID PATTERN IS NOT LESS THAN 33" (838mm), NO GREATER THAN 53" (1346mm) FROM SURFACE ON WHICH USER STANDS, AND 6.0" (153mm) MINIMUM FROM WALL OR NEAREST OBSTRUCTION.
3. IN ORDER TO COMPLY WITH STATE CODES, THE USE OF A VACUUM BREAKER IS REQUIRED WITH ALL HAND HELD EYE/FACE WASH AND BODY SPRAY UNITS (HAWKS OFFERS MODEL SP212).
4. ASSEMBLE EYE/FACE WASH ASSEMBLY AND DUST COVER TO HOSE; ORIENT TAB ON ASSEMBLY, AWAY FROM USER.
5. SQUEEZE VALVE MUST BE MANUALLY PULLED CLOSE TO STOP FLOW.
6. \* DIMENSIONS MAY VARY ±1/2" (12.7mm).

 <p><b>Haws</b> Since 1906</p>		<p>1459 KLEPPE LANE SPARKS, NEVADA, 89431 (775) 359-4712 FAX (775) 359-7424 E-MAIL: HAWS@HAWSCO.COM WEBSITE: WWW.HAWSCO.COM</p>	
ECN NO. REVISED PER BY:	MODEL(S)	8904	PART NUMBER
0002080198.D	EYE/FACE WASH BODY SPRAY		
DATE: 07/1/24	SCALE: NA	DRAWING TYPE: INSTALLATION	SIZE: A
DATE: 08/25/93	SCALE: NA	DRAWING TYPE: INSTALLATION	SHEET 1 OF 1
DATE: 07/1/24	SCALE: NA	DRAWING TYPE: INSTALLATION	SHEET 1 OF 1