



model 8901RFK

Emergency Body Spray Kit

FEATURES & BENEFITS

VALVE

Valve is designed so full continuous flow occurs with the simple squeeze of a lever providing an easy start to the irrigation process.

SAFETY

8" x 10-3/4" (20.3 x 27.3 cm) universal emergency sign make the unit easily detected in an emergency. Test card to record weekly checks helps maintain the unit's best working quality.

HOSE

The 8' (243.8 cm) swivel hose delivers a wide coverage area and is pressure rated at 250 psi (17.2 bar) to further optimize durability.

FLOW CONTROL

Rubber 6.25 gpm (23.7 L) flow insert automatically controls the water flow rate to produce a full continuous flow of water for the irrigation process.



OPTIONS

- Vacuum Breaker: Model SP212 is a chrome-plated brass vacuum breaker.
- Valve Repair Kit For SP248: Model VRKSP248 valve repair kit for Model SP248 squeeze handle valve.

For more information, visit www.hawsc.com or call (888) 640-4297.

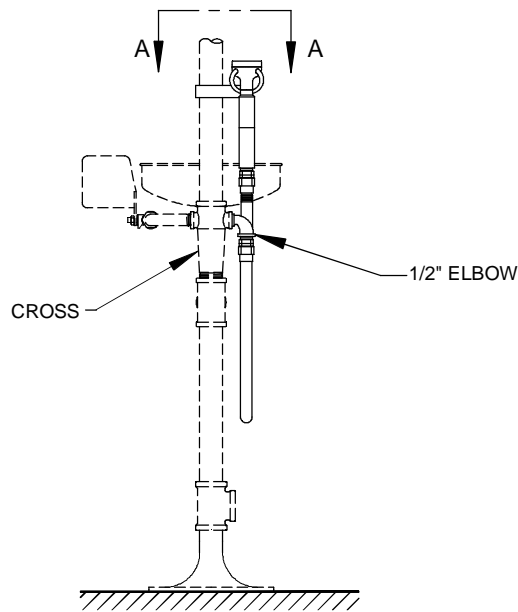
SPECIFICATIONS

Model 8901RFK body spray features a ABS plastic head, stay-open squeeze lever valve, 8 foot (243.8 cm) hose and installation kit. Kit includes clamp hook-up, tee clips and fitting for retrofit installation on most combination shower and eyewash units. Supply: 1/2" NPT. In order to comply with state codes the use of a vacuum breaker is required with all hand held body spray units (Haws offers model SP212) Per ANSI, "Hand held drench hoses provide support for emergency shower and eyewash units, but shall not replace them."

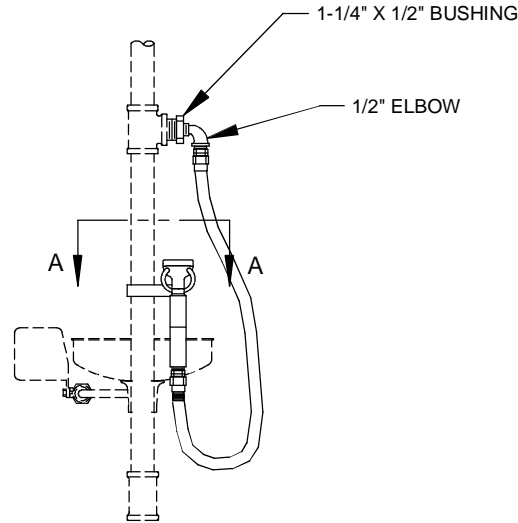
APPLICATIONS

Perfect for the environment where safety is of the utmost importance and an extended coverage area may be needed. When installed properly, the 8901RFK is not only space efficient but also versatile, adapting to most Haws showers and eyewashes. Per ANSI, "Hand held drench hoses provide support for emergency shower and eyewash units, but shall not replace them."

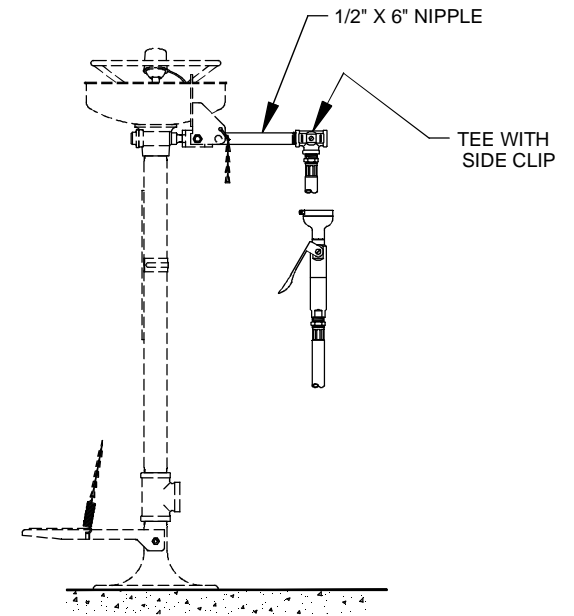
THIS DOCUMENT IS TRUE AND CORRECT AT TIME OF PUBLICATION. CONTINUED PRODUCT IMPROVEMENTS MAKE SPECIFICATIONS AND MEASUREMENTS SUBJECT TO CHANGE WITHOUT NOTICE.



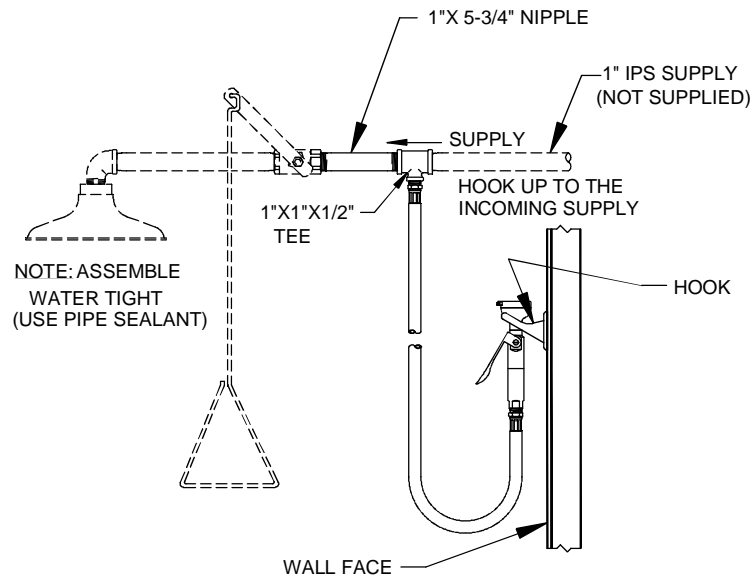
RETROFIT KIT EYE/FACE WASH INSTALLED WITH UNITS PROVIDED WITH A CROSS



RETROFIT KIT EYE/FACE WASH INSTALLED WITH UNITS NOT PROVIDED WITH A CROSS



RETROFIT KIT EYE/FACE WASH INSTALLED WITH PEDESTAL EYEWASH UNIT



CLAMP HOOK UP DETAIL VIEW A'-A'

NOTES:

1. IN ORDER TO COMPLY WITH STATE CODES, THE USE OF A VACUUM BREAKER IS REQUIRED WITH ALL HAND HELD EYE/FACE WASH AND BODY SPRAY UNITS (HAWS OFFERS MODEL SP212).

		1455 KLEPPE LANE SPARKS, NEVADA 89431 (775) 359-4712 FAX (775) 359-7424 E-MAIL: HAWS@HAWS.CO.COM WEBSITE: WWW.HAWS.CO.COM	
ECN NO. ECN:4938 DRAWN: CH APPROVED: FV	REVISED PER: VWC DATE: 07/09/11 DATE: 01/08/15	MODEL(S) 8901 BODY SPRAY RETROFIT KIT	PART NUMBER 0002080192.D DRAWING NO. 09555A00 REV 7
SCALE: 1:14		DRAWING TYPE: INSTALLATION	SIZE: A SHEET 1 OF 1