

## FEATURES & BENEFITS

### VALVE

Valve is designed so full continuous flow occurs with the simple squeeze of a lever providing an easy start to the irrigation process.

### FLOW CONTROL

Rubber 6.25 gpm (23.7 L) flow insert automatically controls the water flow rate to produce a full continuous flow of water for the irrigation process.

### HOSE

The 8' (243.8 cm) swivel hose delivers a wide coverage area and is pressure rated at 250 psi (17.2 bar) to further optimize durability.

### MOUNTING

Wall-mounted design with wall hook allows for easy locating as well as a space efficient piece of emergency equipment.

### SAFETY

8" x 10-3/4" (20.3 x 27.3 cm) universal emergency sign make the unit easily detected in an emergency. Test card to record weekly checks helps maintain the unit's best working quality.

## OPTIONS

- Valve Repair Kit For SP248: Model VRKSP248 valve repair kit for Model SP248 squeeze handle valve.
- Thermostatic Mixing Valve: Model 9201EW AXION® Emergency Tempering Valve thermostatically mixes hot and cold water to provide a safe fluid supply for a single emergency eye/face wash, with a flow rate of 10 gpm (38.8 L).
- Emergency Alarm System : Model 9001.5, 1/2" 120 VAC emergency alarm and light system. Buzzer and flashing light are activated by a 1/2" IPS double pole, double throw flow switch.
- Thermostatic Mixing Valve: Model 9201EFE AXION® Emergency Tempering Valve thermostatically mixes hot and cold water to provide a safe fluid supply for a single emergency eye/face wash, with a flow rate of 12 gpm (38.8 L).

For more information, visit [www.hawscos.com](http://www.hawscos.com) or call (888) 640-4297.



## SPECIFICATIONS

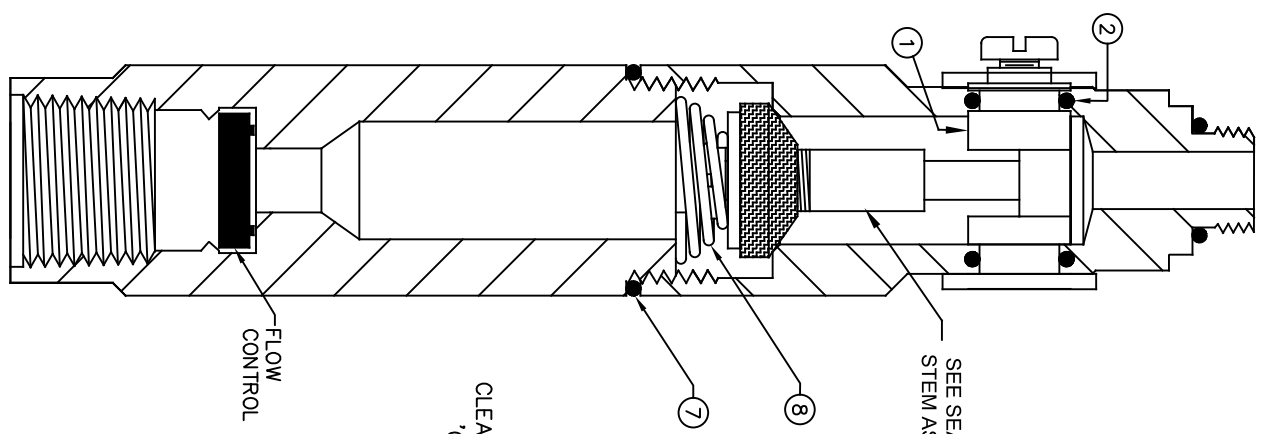
Model 8901B wall-mounted body spray shall include a green ABS plastic head with integral flip-top dust cover, chrome plated brass stay-open squeeze lever valve with integral flow control, 8 foot (243.8 cm) 250 psi (17.2 bar) green rubber hose with chrome-plated swivel fitting at one end, wall-mounting bracket, universal sign, and 1/2" NPT inlet. In order to comply with state codes the use of a vacuum breaker is required with all hand held body spray units (Haws offers model SP212)

## APPLICATIONS

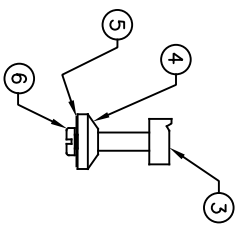
Perfect for the environment where safety is of the utmost importance and an extended coverage area may be needed. Per ANSI/ISEA Z358.1, "Hand held drench hoses provide support for emergency shower and eyewash units, but shall not replace them."



- NOTES:
1. IN ORDER TO COMPLY WITH STATE CODES, THE USE OF A VACUUM BREAKER IS REQUIRED WITH ALL HAND HELD EYE/FACE WASH AND BODY SPRAY UNITS (HAWWS OFFERS MODEL SP212).
  2. SQUEEZE VALVE MUST BE MANUALLY PULLED CLOSE TO STOP FLOW.



SEE SEAT & OPERATOR STEM ASSEMBLY DETAIL

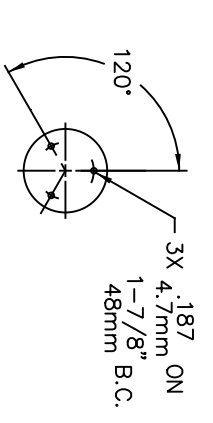


SEAT & OPERATOR STEM ASSEMBLY DETAIL

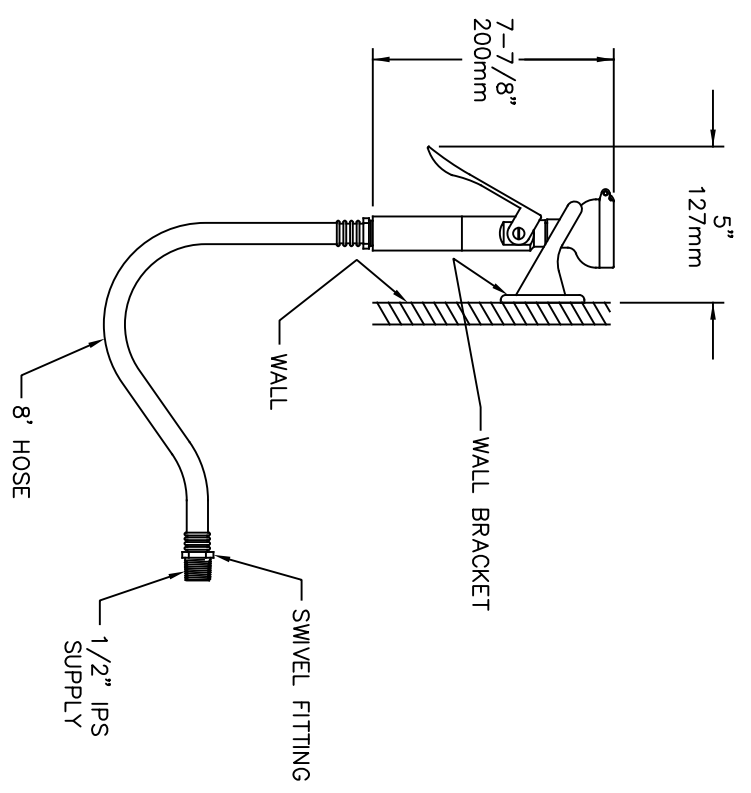
CLEAN VALVE SEAT AND WASHER THOROUGHLY, LUBRICATE 'O' RING WITH 'O' RING LUBE BEFORE REASSEMBLING.

ITEM NO.	QUANTITY	DESCRIPTION
1	1	CAM OPERATOR
2	2	'O' RING FOR CAM
3	1	OPERATOR STEM
4	1	SEAT WASHER
5	1	HOLDER WASHER
6	1	SCREW
7	1	'O' RING
8	1	SPRING

**VALVE REPAIR DETAIL**  
**MODEL VRK SP248**  
**OPTIONAL**



**WALL BRACKET DETAIL**



**HAWWS**  
Since 1906

1459 KLEPPE LANE  
SPARKS, NEVADA 89431  
(775) 359-4712 FAX (775) 359-7424  
E-MAIL: HAWWS@HAWVSCO.COM  
WEBSITE: WWW.HAWVSCO.COM

MODEL(S)  
8901B

EYE/FACE WASH BODY SPRAY

SCALE: NA DRAWING TYPE: INSTALLATION

SIZE: A SHEET: 1 OF 1

ECN NO. REVISED PER BY: JL	DATE: 07/1/24	SCALE: NA	DRAWING TYPE: INSTALLATION	SIZE: A	SHEET: 1 OF 1
DRAWN: CH	DATE: 05/20/91	ECN: 6002	CHKD: FV	REVISION: 10	
APPROVED: JL	DATE: 07/1/24				