

FEATURES & BENEFITS

EASE OF INSTALLATION

On-site installation is made easy with six frame sections, and detailed instructions.

PLACEMENT

Six piece frame provides a compact footprint for easy shipment and placement in the field.

OPTIONS

- AXION[®] MSR Eye/Face Wash: Model 874301S. AXION[®] MSR eye/face wash kit is an option for the 8740 overhead tank shower.
- Cleansing Stick: Model 9084. Cleansing Stick provides continual protection against pathogenic bacteria for water storage systems.

For more information, visit www.hawSCO.com or call (888) 640-4297.



SPECIFICATIONS

The Haws 8740 emergency overhead tank shower is designed for indoor installation. The ANSI/ISEA Z358.1 compliant design as a self contained shower is to be used in 60° - 100° F (16° - 38° C) ambient temperatures. Modular six piece galvanized frame is easily assembled and disassembled for flexible placement options. Frame includes mounting feet with 4 bolt holes each for increased stability, and integral forklift slots for easy mobility. This unit includes a 330-gal IBC high-density polyethylene tank, supply inlet piping, auto-fill valve for refill, breather vent and 2" NPT ball valve integral to tank for shower piping. Adheres to International Building Code 2012. Min Fill pressure: 20 PSIG with a minimum fill flow rate of 15 GPM. Max fill pressure: 60 PSIG. Large high-visibility green and white universal signage for quick identification on three sides. Supply inlet: 1-1/4" NPTM PVC fitting. Standard plugged pipe fitting supplied for optional AXION eye/face wash assembly. Optional model 9084 cleansing stick can be used to provide continual protection against pathogenic bacteria in the water for up to 3 years. Model 8740 is certified by CSA to meet the ANSI Z358.1 Standard for Emergency Eyewash and Shower Equipment". Note: This unit must be plumbed through the supply inlet for ANSI Z358.1 compliance.

APPLICATIONS

This cost-efficient, mobile unit with a fast delivery time is ideal for indoor refineries, mills, warehouses and other facilities that requires the need for an emergency drench shower.

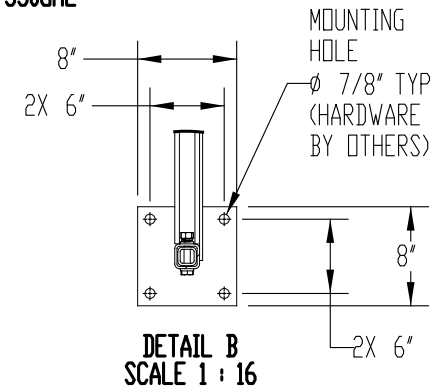
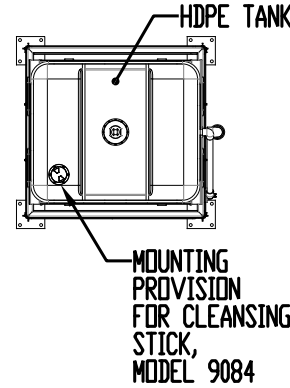
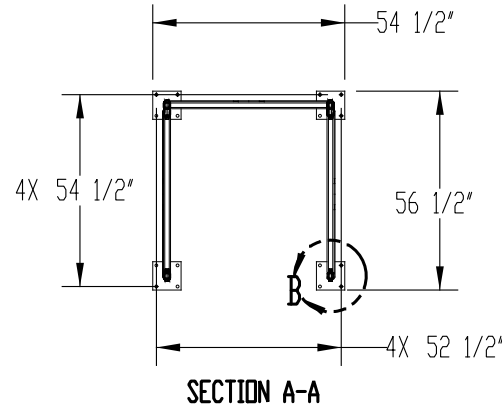
NOTES:

1. DIMENSIONS IN INCHES
2. ALL TOLERANCES: ±1/2"
3. MATERIAL:
 FRAME: GALVANIZED STEEL
 TANK: HDPE
 PIPE & FITTINGS: PVC; SCH 80.
 VALVE: BRONZE
4. ESTIMATED WEIGHT:
 DRY: 975LBS
 WET: 3450 LBS
5. FRAME IS IN ACCORDANCE WITH INTERNATIONAL BUILDING CODE (IBC) 2012 EARTHQUAKE DESIGN
 RISK CATEGORY: II
 SITE CLASS: D
 SPECTRAL RESPONSE COEFFICIENT:

$S_{DS} = .333 g$

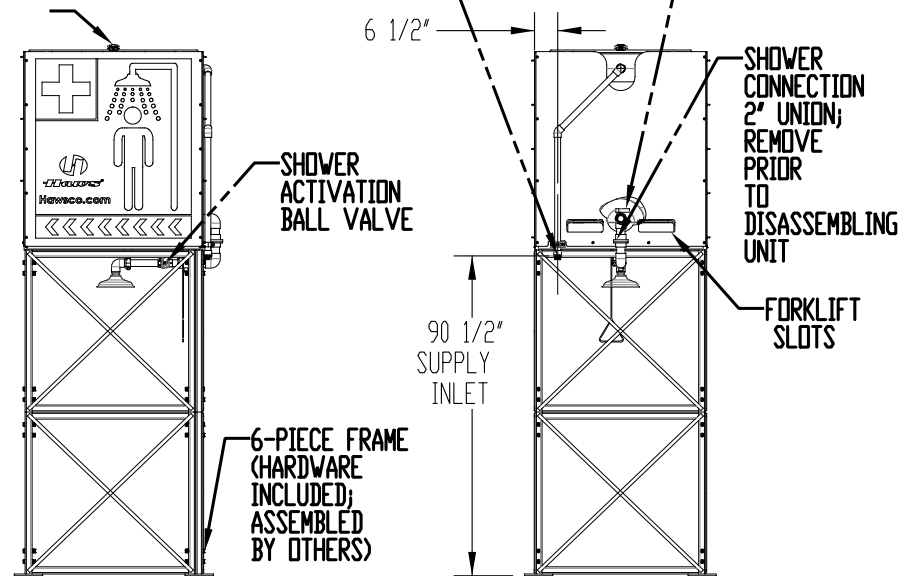
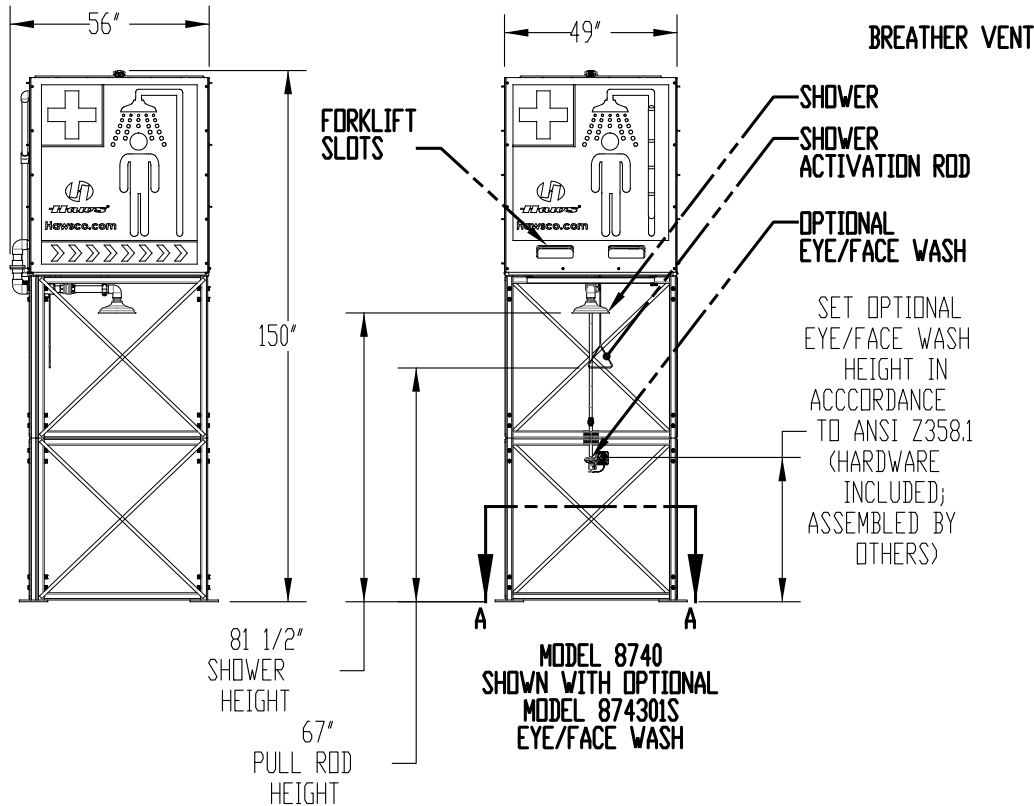
6. ANSI Z358.1 COMPLIANCE REQUIREMENTS:
 MIN FILL PRESSURE: 20 PSIG
 MAX FILL PRESSURE: 60 PSIG
 MIN FILL FLOW RATE: 15 GPM FOR SHOWER ONLY &
 20 GPM FOR SHOWER AND EYE/FACE WASH

REFER TO MODEL 8740 MANUAL FOR DETAILED EYE-FACEWASH ASSEMBLY AND INSTALLATION INSTRUCTIONS



CUSTOMER CONNECTION TANK FILL
 1-1/4" NPT (MALE)
 AUTO-REFILL
 MAX PRESSURE: 60 PSIG
 FOR ANSI Z358.1 COMPLIANCE:
 MINIMUM PRESSURE = 20 PSIG
 MINIMUM FLOW = 15 GPM FOR
 SHOWER ONLY

TANK SHUTOFF
 2" BALL VALVE
 (PROVISIONS
 SHALL BE MADE
 TO ANSI Z358.1)



1455 KLEPPE LANE
 SPARKS, NEVADA 89431
 (775) 359-4712 FAX (775) 359-7424
 E-MAIL: HAWSEH@HAWSC.COM
 WEBSITE: WWW.HAWSC.COM

ED#	REV. EDA	BY	MODEL(S)	PART NUMBER
HR213	HR213		8740 -OTS, IBC TANK	0510000842.D
DRAWN	DATE	CHK'D		REVISION
MJ	06/12/18	GC		1
APPROVED	DATE	SCALE	DRAWING TYPE	INSTALLATION
MJ	10/09/18	1:56		SIZE: A