



model 8317LTEXP

Area Light

FEATURES & BENEFITS

OPTIONS

For more information, visit www.hawesco.com or call (888) 640-4297.



SPECIFICATIONS

Model 8317LTEXP is a white area light for continuous illumination of the 8317CTFP series showers. Class 1, Div. 1, Group C & D. Tempering Code: T4. Model is CSA electrical certified, TYPE 4; only when used with 8317CTFP.

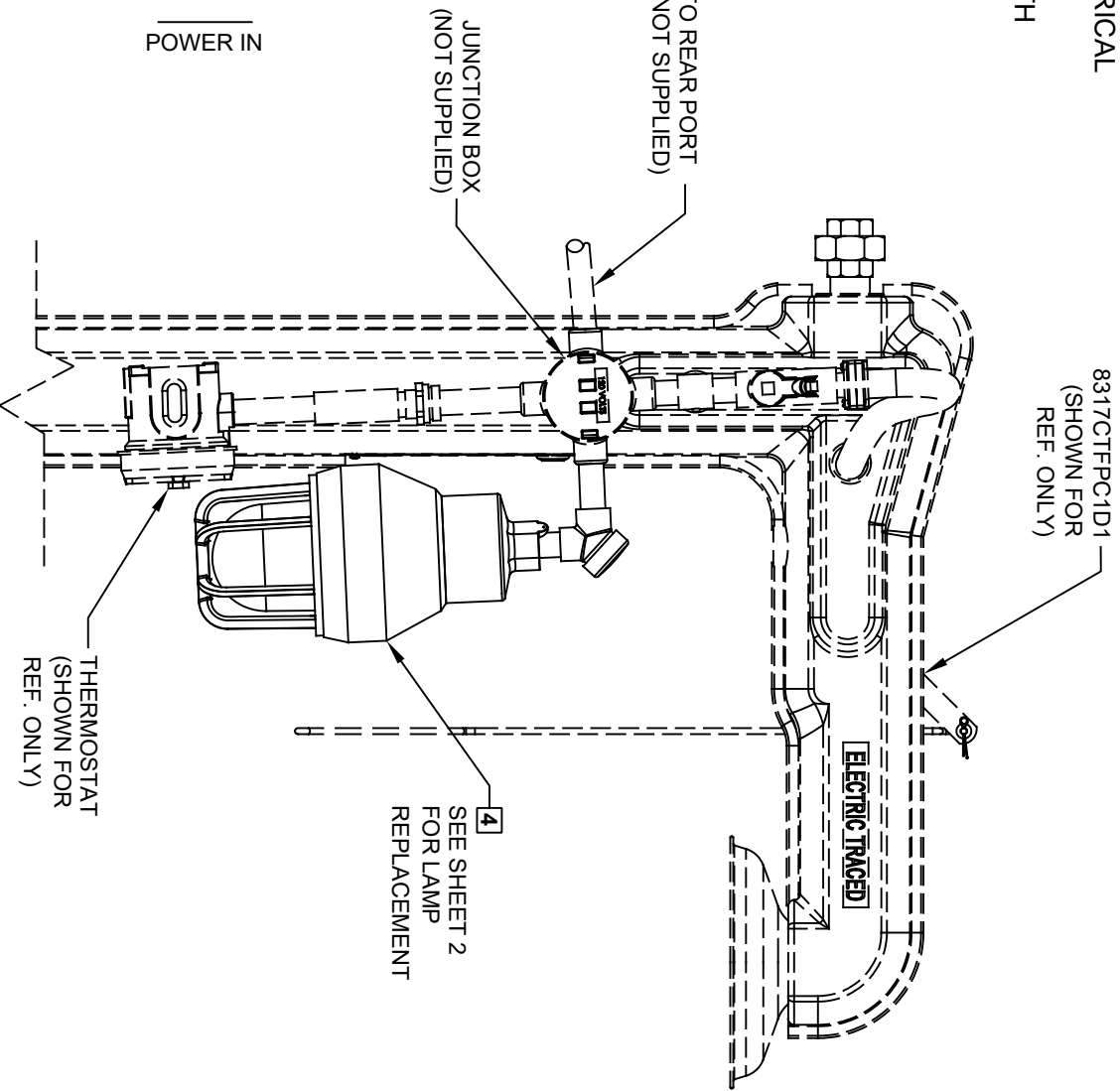
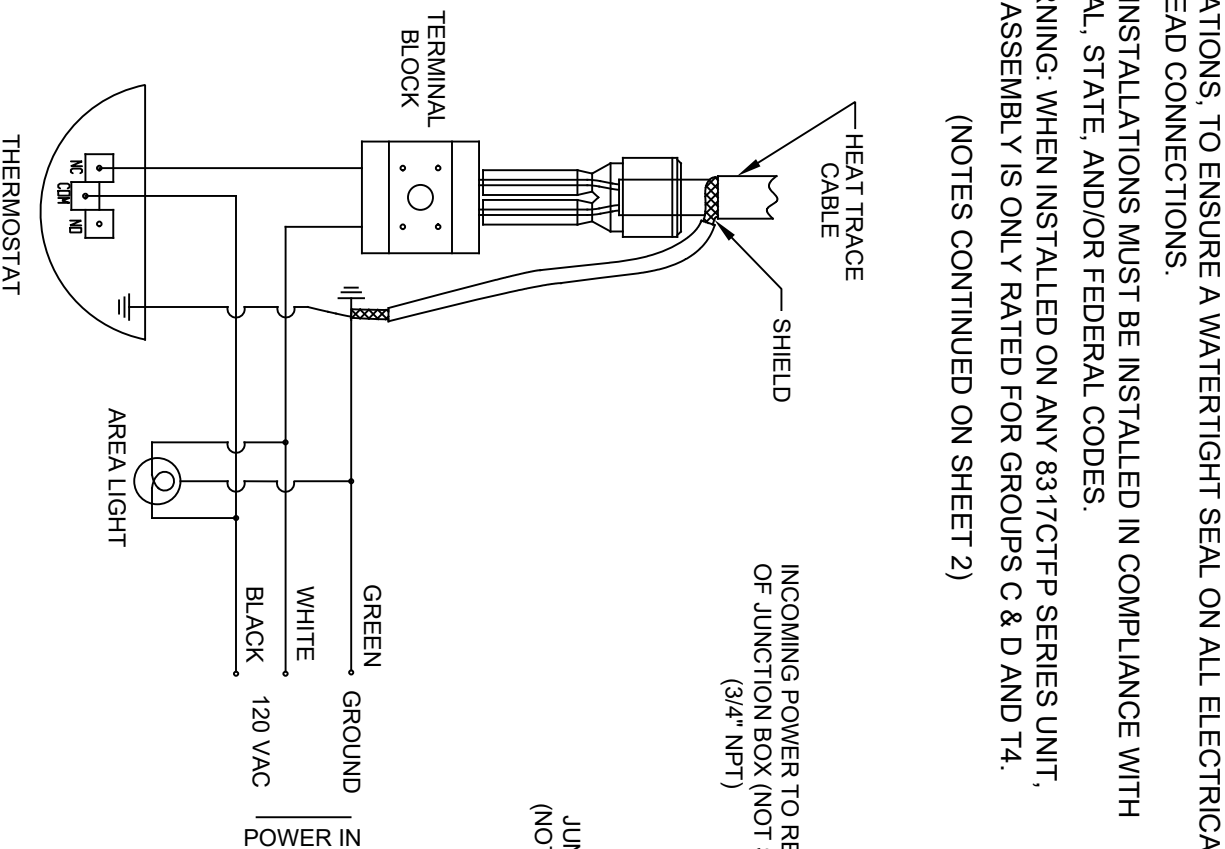
APPLICATIONS

Model is CSA electrical certified, TYPE 4; only when used with 8317CTFP.



NOTES:

1. INSTALLER MUST USE SUFFICIENT THREAD SEALANT, SUCH AS APLETON TLC-3, RECOMMENDED FOR USE IN HAZARDOUS LOCATIONS, TO ENSURE A WATERTIGHT SEAL ON ALL ELECTRICAL THREAD CONNECTIONS.
 2. ALL INSTALLATIONS MUST BE INSTALLED IN COMPLIANCE WITH LOCAL, STATE, AND/OR FEDERAL CODES.
 3. **WARNING:** WHEN INSTALLED ON ANY 8317CTFP SERIES UNIT, THE ASSEMBLY IS ONLY RATED FOR GROUPS C & D AND T4.
- (NOTES CONTINUED ON SHEET 2)



8317LTEXP WIRING DETAIL

1459 KLEPPE LANE
SPARKS, NEVADA, 89431
(775) 359-4712 FAX (775) 359-7424
E-MAIL: HAWS@HAWS.CO.COM
WEBSITE: WWW.HAWS.CO.COM

ECN NO. REVISED PER BY:	MODEL(S)
ECN: 5775 FV	8317LTEXP
DRAWN: HERRITT	DATE: 8/17/09
CHKD: JS	SCALE: 1:1
APPROVED: FV	DATE: 02/22/22
INSTALLATION	SHEET 1 OF 2
PART NUMBER	REVISION
0002080166	14

NOTES: (CONTINUED FROM SHEET 1)

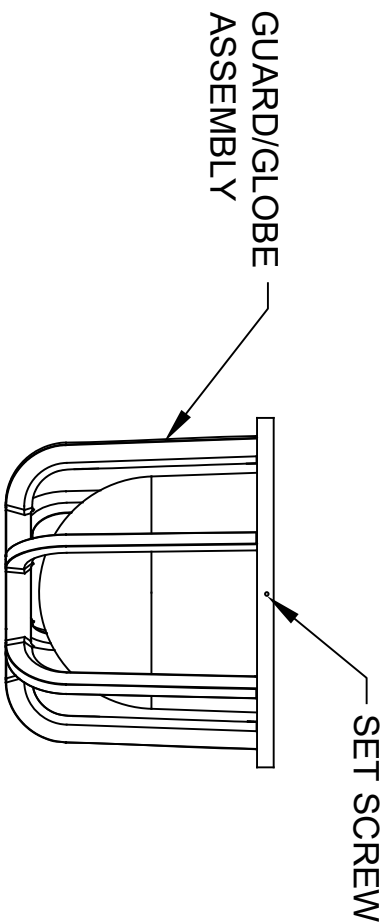
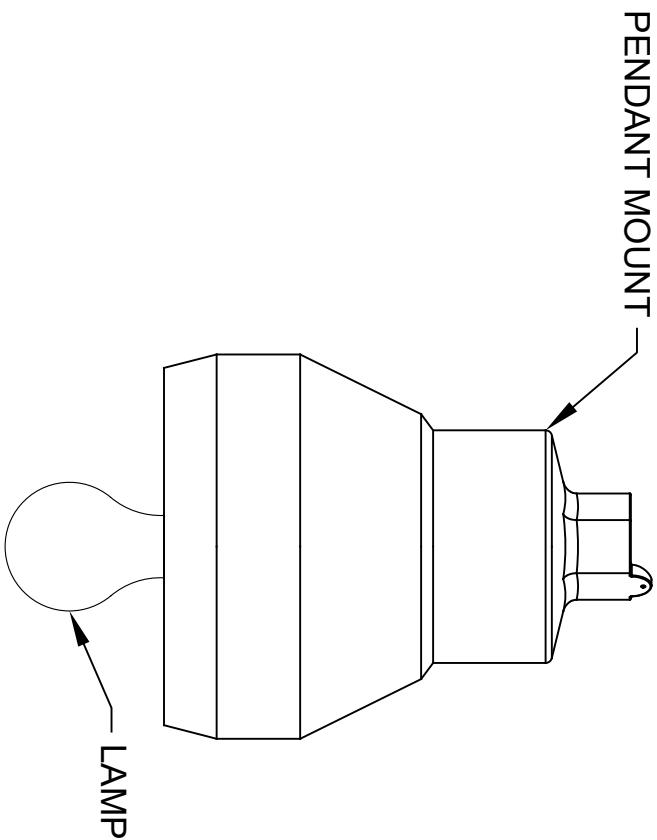
4 LIGHT REPLACEMENT INSTRUCTIONS:

1) REMOVE GUARD/GLOBE ASSEMBLY:
FIRST LOOSEN SET SCREW (LOCATED ON GUARD WHERE SHOWN). NEXT, ROTATE ASSEMBLY COUNTER CLOCKWISE UNTIL GUARD IS FREE FROM PENDANT MOUNT AND LAMP IS EXPOSED.

2) ONLY REPLACE LAMP WITH HAWS P/N 00033200003.
WARNING - EXPLOSION HAZARD - SUBSTITUTION OF COMPONENTS MAY IMPAIR SUITABILITY FOR CLASS 1, DIVISION 1.

3) REPLACE GUARD/GLOBE ASSEMBLY:
ROTATE ASSEMBLY CLOCKWISE ONTO THE PENDANT MOUNT UNTIL TIGHT AND TIGHTEN SET SCREW.

SEE WARNING IN NOTE 4
(STEP 2) OF THIS SHEET
AND IN NOTE 3 ON SHEET 1



				1459 KLEPPE LANE SPARKS, NEVADA, 89431 (775) 359-4712 FAX (775) 359-7424 E-MAIL: HAWS@HAWS.CO.COM WEBSITE: WWW.HAWS.CO.COM	
ECN NO. REVISED PER BY:	MODEL(S)	PART NUMBER			
ECN: 5775 FV	8317LTEXP	0002080166			
DATE: 8/17/09	CHKD: JS	REVISION: 14			
DATE: 02/22/22	SCALE: 1:1	DRAWING TYPE: INSTALLATION			
DATE: 02/22/22	SCALE: 1:1	DRAWING TYPE: INSTALLATION			
DATE: 02/22/22	SCALE: 1:1	DRAWING TYPE: INSTALLATION			