

## FEATURES & BENEFITS

### CONSTRUCTION

18 Gauge Type 304 Stainless Steel recessed cabinet is a deep-drawn heavy duty structure with smudge resistant bead blast finish to provide a durable, long lasting product.

### EYE/FACE WASH HEAD

AXION® MSR eye/face wash head uses an inverted directional laminar flow to sweep contaminants away from the vulnerable nasal cavity.

### FLUSH MOUNT

Space efficient wall flush-mount design with pull down lever allow for a barrier-free design. Stainless steel drain pan collects eye/face wash waste within the cabinet so the cleansing area remains as clean as possible throughout the irrigation process.

### VALVE

Valve is designed to make the flushing of fluid occur with the pull of the eyewash bend.

### QUALITY CONTROL

The entire unit is pre-built and fully water/pressure tested to ensure no leaks and proper function which ultimately reduces installation time and gives the end contractor an added peace of mind.

### ADDED PROTECTION

Barrier-free pull-down design accommodates all users including wheelchair accessibility.



## OPTIONS

- Thermostatic Mixing Valve: Model 9201EW AXION® Emergency Tempering Valve thermostatically mixes hot and cold water to provide a safe fluid supply for a single emergency eye/face wash, with a flow rate of 10 gpm (38.8 L).
- Emergency Alarm System : Model 9001.5, 1/2" 120 VAC emergency alarm and light system. Buzzer and flashing light are activated by a 1/2" IPS double pole, double throw flow switch.
- Thermostatic Mixing Valve: Model 9201EFE AXION® Emergency Tempering Valve thermostatically mixes hot and cold water to provide a safe fluid supply for a single emergency eye/face wash, with a flow rate of 12 gpm (38.8 L).
- Thermostatic Mixing Valve: Model TWBS.EWE Lead-free AXION® Emergency Tempering Valve thermostatically mixes hot and cold water to provide a safe fluid supply for emergency eyewash equipment, with a flow rate of 12 gpm (45.4 L).

For more information, visit [www.hawsco.com](http://www.hawsco.com) or call (888) 640-4297.

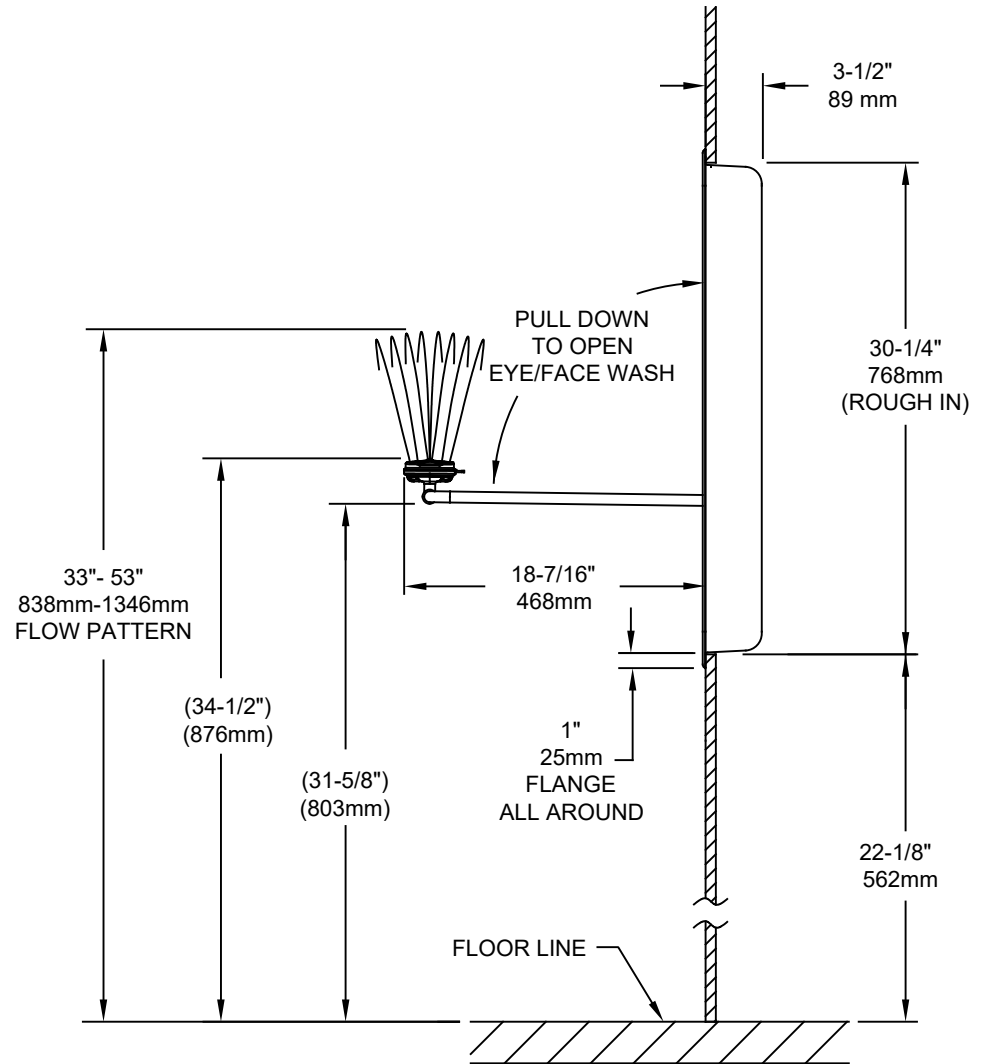
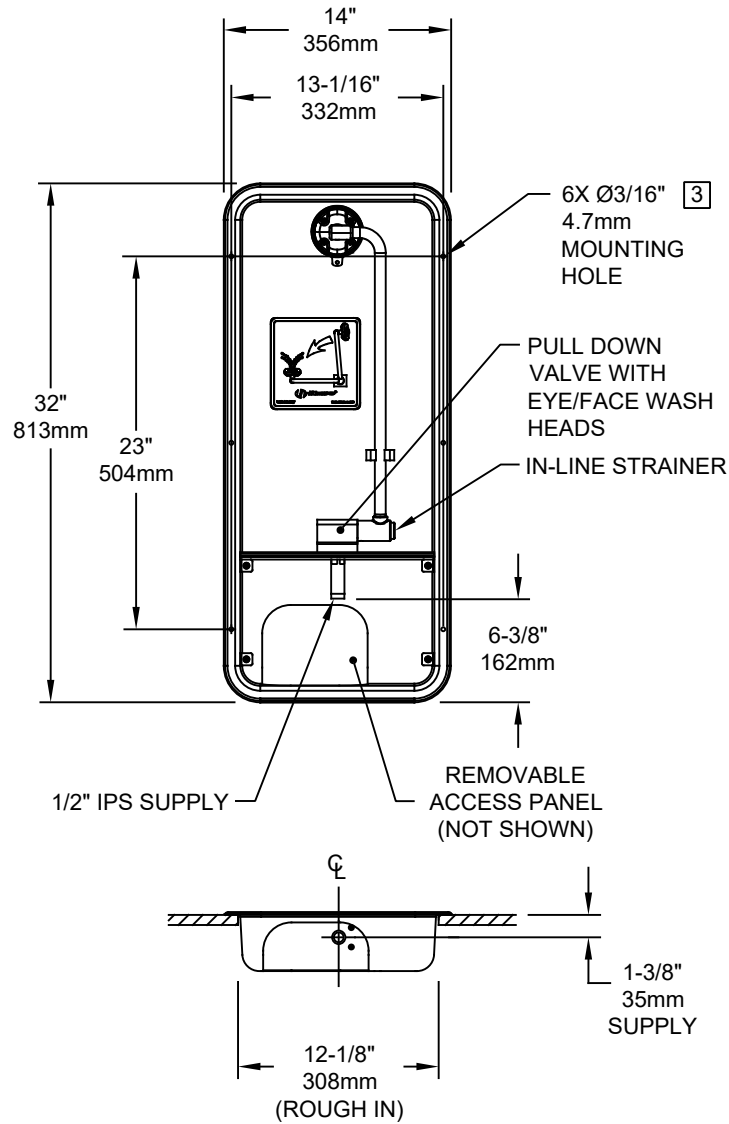
## SPECIFICATIONS

Model 7655WCC barrier-free eye/face wash shall include an AXION® MSR eye/face wash head shall feature inverted directional laminar flow which achieves Zero Vertical Velocity™ supplied by an integral 4.2 gpm flow control, a fully recessed wall mounted 18 Gauge, Type 304 stainless steel deep-drawn cabinet with smooth electro-polished finish, wheelchair accessibility, and polished chrome-plated brass pull-down valve with easy access in-line strainer. Unit shall also include brass pipe and fittings, a front-access maintenance panel, universal sign, 1/2" NPT(M) inlet. Operating pressure is 30 – 90 psi (2.1 – 6.2 bar).

## APPLICATIONS

Where the eyes and face of any person may be exposed to injurious or corrosive materials, suitable facilities for quick flushing of the eyes and face shall be provided within the work area for immediate emergency use. This unit brings a nice finish to any location, all while offering a wide coverage area for the face and eyes. Emergency eye/face wash facilities shall be in unobstructed and accessible locations that require no more than 10 seconds for the injured person to reach. Model 7655WCC is Certified by CSA to meet the ANSI/ISEA Z358.1 Standard for Emergency Eyewash and Shower Equipment.





- NOTES:
1. WHEN INSTALLING THIS UNIT, LOCAL, STATE, OR FEDERAL CODES SHOULD BE ADHERED TO FOR INSTALLATION DIMENSIONS (LOCATIONS), WASTE AND SUPPLY REQUIREMENTS OTHER THAN SHOWN.
  2. TO COMPLY WITH ANSI Z358.1-2014 FOR EMERGENCY EYEWASH OR EYE/FACE WASH: EYEWASH OR EYE/FACE WASH SHALL BE POSITIONED SUCH THAT FLUSHING FLUID PATTERN IS NOT LESS THAN 33" (838mm) AND NO GREATER THAN 53" (1346mm) FROM SURFACE ON WHICH USER STANDS; AND 6.0" (153mm) MINIMUM FROM WALL OR NEAREST OBSTRUCTION.
  - 3 MOUNTING HARDWARE NOT SUPPLIED.
  4. DIMENSIONS MAY VARY BY ±1/2" (13 mm).

		1455 KLEPPE LANE SPARKS, NEVADA 89431 (775) 359-4712 FAX (775) 359-7424 E-MAIL: HAWS@HAWSCO.COM WEBSITE: WWW.HAWSCO.COM	
		ECN NO. 4290 DRAWN: IR APPROVED: FV	REVISED PER: ECN: 5752 DATE: 8/4/10 DATE: 10/19/21
PART NUMBER 0002080078.D		REVISION 4	
SCALE: NA		DRAWING TYPE: INSTALLATION	
SIZE: A		SHEET 1 OF 1	