



model 7601.37

Portable Emergency Air-Pressurized Eyewash

## FEATURES & BENEFITS

### CONSTRUCTION

Stainless steel constructed tank makes for a solid portable unit with added resistance against corrosion and breakage.

### ADDED PROTECTION

Green polyethylene plastic dust covers that release with water pressure keep the unit protected from debris up until the last second before use further optimizing operation. The 6' hose extends the portable units reach and is pressure rated at 250 psi (17.2 bar) making for a better piece of emergency equipment.

### VALVES

Eyewash valve comes equipped with stainless steel ball and stem for added protection against corrosion and breakage. Unit also comes with a chrome-plated brass squeeze valve supplied with a 6.25 gpm (23.7 L) flow control.

### SAFETY

Air pressure gauge, pressure relief valve, and tire-type air fill valve decrease the possibility of mishaps and make for a safer piece of emergency equipment.

### FLOW CONTROLS

Green ABS plastic Soft-Flo anti-surge heads and a body-spray head equipped with this 37 gallon (140 L) portable unit distribute water at .50 gpm (1.9 L) for the eyewash and 4 gpm (15.1 L) for the drench hose when pressure is between 30 and 90 psi (2.1 and 6.2 bar) to provide a thorough irrigation process.



## SPECIFICATIONS

Model 7601.37 portable air pressure operated eyewash with body spray shall include a stainless steel 37 gallon (140 L) ASME 130 psi (9 bar) rated tank, ABS plastic anti-surge eyewash heads with integral flow controls and dust covers, chrome-plated brass stay-open ball valve equipped with stainless steel ball and stem, 160 psi (11 bar) air pressure gauge, 110 psi (7.6 bar) air pressure relief valve, and tire-type air fill valve. Unit shall also include squeeze-valve operated body spray, label-mounted operating instructions. Additive not included - Order separately.

## OPTIONS

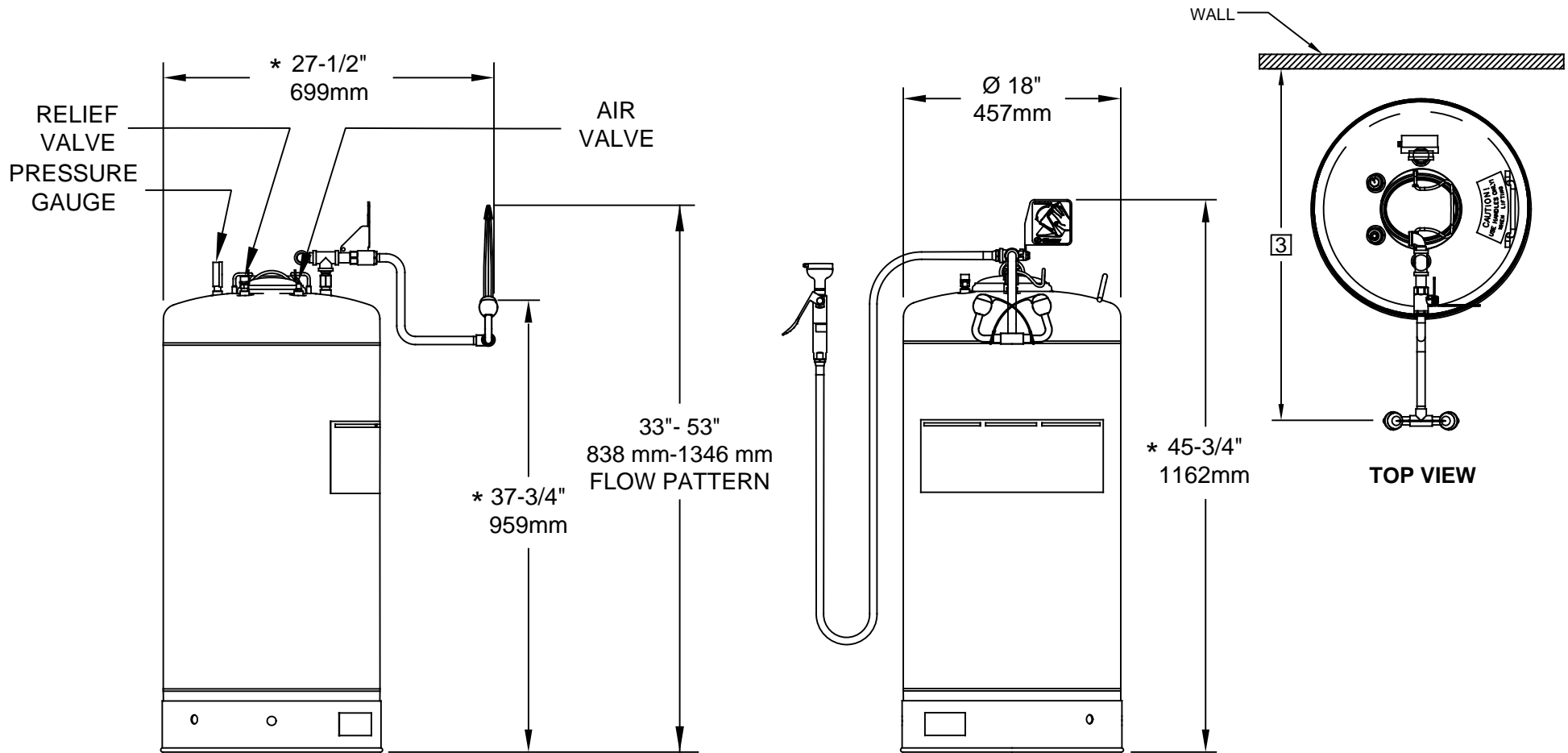
- ❑ Transport Cart: Model 9008 cart designed to transport all stainless steel portable eyewashes.
- ❑ HAWSCLEAN™ Portable Eyewash Cleansing Stick: Model 9083, HawsCLEAN™ cleansing stick for gravity fed and pressurized portable eyewash equipment.
- ❑ Water Additive: Model 9082, bacteriostatic preservative for use in portable eyewash stations. One 8 oz. (236 ml) bottle will preserve 5 to 20 gallons (18.9 to 75.7 L) of potable water for up to four months. Four bottles per carton.

For more information, visit [www.hawasco.com](http://www.hawasco.com) or call (888) 640-4297.

## APPLICATIONS

Where the eyes of any person may be exposed to injurious or corrosive materials, when suitable facilities for quick flushing of the eyes needs to be provided and a continuous supply of water is not available. Although the 7601.37 may be used in a wide variety of locations, it is ideal for the remote and low traffic areas where protective and mobile measures may still be needed. Emergency eyewash facilities shall be in unobstructed and accessible locations that require no more than 10 seconds for the injured person to reach. Model 7601.37 is certified by CSA to meet the ANSI Z358.1 Standard for Emergency Eyewash and Shower Equipment.





**NOTES:**

1. WHEN INSTALLING THIS UNIT, LOCAL , STATE, OR FEDERAL CODES SHOULD BE ADHERED TO FOR INSTALLATION DIMENSIONS (LOCATIONS), WASTE AND SUPPLY REQUIREMENTS, ETC.
2. TO COMPLY WITH ANSI Z358.1-2014 FOR EMERGENCY EYEWASH OR EYE/FACE WASH: EYEWASH OR EYE/FACE WASH SHALL BE POSITIONED SUCH THAT FLUSHING FLUID PATTERN IS NOT LESS THAN 33" (838mm) AND NO GREATER THAN 53" (1346mm) FROM SURFACE ON WHICH USER STANDS; AND 6.0" (153mm) MINIMUM FROM WALL OR NEAREST OBSTRUCTION.

**3** EYEWASH HEAD ASSEMBLY MUST BE PARALLEL TO WALL OR OBSTRUCTION TO MEET CRITERIA STATED IN ACCORDANCE TO NOTES 1 AND 2.

\*4. DIMENSIONS MAY VARY BY  $\pm 1/2$ " (13 mm).

5. PRESSURIZE TO 100 PSI. REFILL IF PRESSURE BECOMES LESS THAN 95 PSI.

		1455 KLEPPE LANE SPARKS, NEVADA 89431 (775) 359-4712 FAX (775) 359-7424 E-MAIL: HAWS@HAWS.CO.COM WEBSITE: WWW.HAWS.CO.COM	
		ECN NO. REVISED PER BY: MODEL(S) ECN: 5438 FV: 7601.37	PART NUMBER 0002080061.D
DRAWN: RTM DATE: 7/24/03 CHKD.: DP	APPROVED: IR DATE: 12/09/19	SCALE: 1:10 DRAWING TYPE: INSTALLATION	REVISION 18
©2019 Haws Corporation - All Rights Reserved. HAWS® and other trademarks used in these materials are the exclusive property of Haws Corporation.		SHEET 1 OF 1	SIZE: A