

FEATURES & BENEFITS

CONSTRUCTION

FDA approved high-density green polyethylene tank provides the light and durable construction required in a portable unit.

MOUNTING

J-shaped stainless steel wall bracket makes for a well constructed portable mount for easy removal and re-mount.

FLOW CONTROLS

Pulling down the eyewash arm will begin flushing the 9-gallon (34.1 L) portable tank at .4 gpm (1.5 L) for a full 15 minutes, creating a full patterned flushing of the eyes.

DESIGN

Tank comes complete with a wide-fill opening and threaded cap for quick inspection, cleaning, and filling. Unit also comes equipped with top and side handles making relocation easy.

OPTIONS

- Waste Container: Model 9009 is a twenty-gallon (75.7 L) wastewater container constructed of tough yellow polymer resin. Unit is used to collect water during weekly testing of emergency equipment.
- HawsCLEAN™ Portable Eyewash Cleansing Stick: Model 9083, HawsCLEAN cleansing stick for gravity fed and pressurized portable eyewash equipment.
- Water Additive: Model 9082, bacteriostatic preservative for use in portable eyewash stations. One 8 oz. (236 ml) bottle will preserve 5 to 20 gallons (18.9 to 75.7 L) of potable water for up to four months. Four bottles per carton.

For more information, visit www.hawsco.com or call (888) 640-4297.



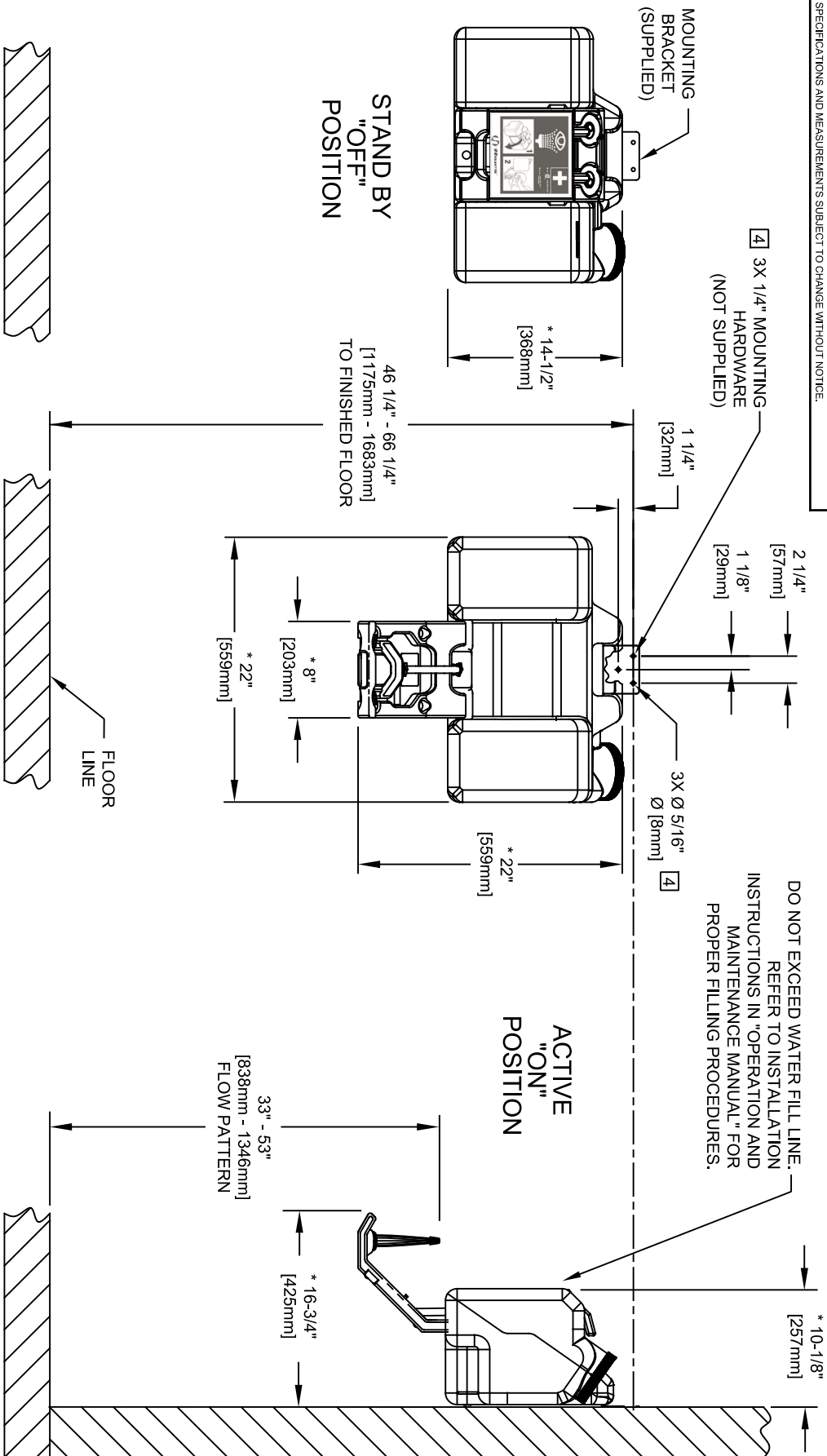
SPECIFICATIONS

Model 7501 compact portable gravity operated eyewash shall include a FDA approved high-density green polyethylene 9 gallon (34.1 L) tank, ABS plastic eyewash heads with .4 gpm (1.5 L) flow rate over 15 minutes, yellow pull-down activation arm, integral handle with “lift here” graphics on top, clearly visible fill line, wide-fill threaded cap, sign-mounted operating instructions, and stainless steel wall bracket (unit must be hung). Additive not included – Order separately.

APPLICATIONS

Where the eyes of any person may be exposed to injurious or corrosive materials, when suitable facilities for quick flushing of the eyes needs to be provided and a continuous supply of water is not available. Although the 7501 may be installed in a wide variety of locations, it is ideal for remote areas where protective measures are still needed. Emergency eyewash equipment shall be in unobstructed and accessible locations that require no more than 10 seconds for the injured person to reach. Model 7501 is certified by CSA to meet the ANSI/ISEA Z358.1 Standard for Emergency Eyewash and Shower Equipment.





NOTES:

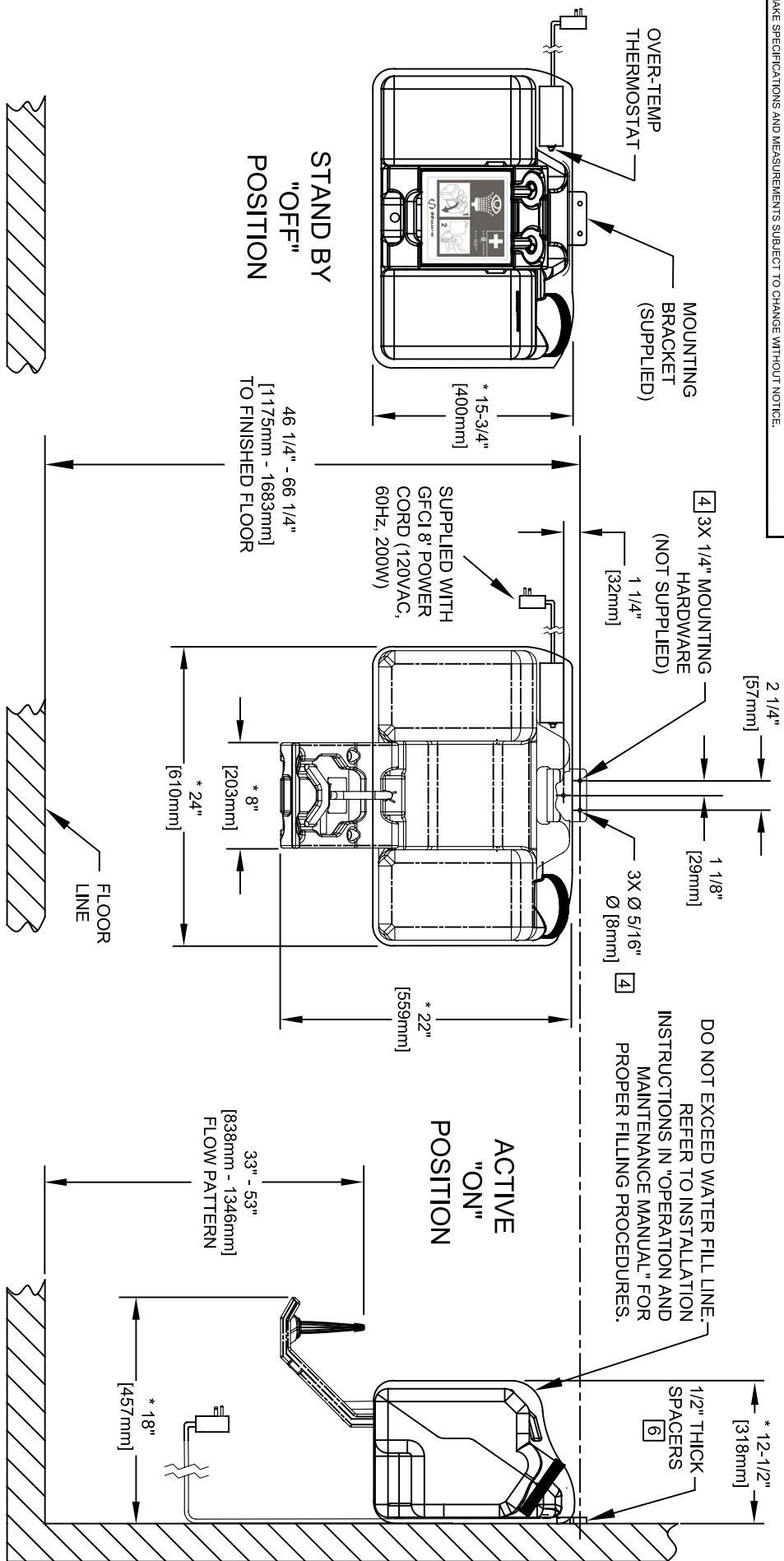
1. WHEN INSTALLING THIS UNIT, LOCAL, STATE, OR FEDERAL CODES SHOULD BE ADHERED TO FOR INSTALLATION DIMENSIONS (LOCATIONS), WASTE AND SUPPLY REQUIREMENTS, ETC.
2. TO COMPLY WITH ANSI Z358.1-2014 FOR EMERGENCY EYEWASH OR EYE/FACE WASH: EYEWASH OR EYE/FACE WASH SHALL BE POSITIONED SUCH THAT FLUSHING FLUID PATTERN IS NOT LESS THAN 33" (838mm) AND NO GREATER THAN 53" (1346 mm) FROM SURFACE ON WHICH USER STANDS; AND 6.0" (153mm) MINIMUM FROM WALL OR NEAREST OBSTRUCTION.
3. UNIT MUST BE LEVEL FROM FRONT TO BACK AND SIDE TO SIDE.
4. ALL THREE MOUNTING HOLES ON MOUNTING-BRACKET MUST BE USED TO PROPERLY SECURE EYEWASH UNIT TO WALL.

5. DIMENSIONS MAY VARY ±1/2" [12.7 mm]
6. LOCATE ONE 1/2" THICK SPACER (QTY. 3 SUPPLIED) BEHIND EACH HOLE IN THE MOUNTING BRACKET AS SHOWN. (MODEL 7501T & 7501T240 ONLY)
7. UNIT MUST BE FILLED WITH WATER BEFORE CONNECTING TO POWER SOURCE.
8. MODEL 7501T MUST HAVE A GROUND FAULT PROTECTION DEVICE (30ma GFEDP) FOR HEAT TRACE. ELECTRICAL CURRENTS MAY BE INSUFFICIENT TO TRIP A CONVENTIONAL CIRCUIT BREAKER. ALL INSTALLATIONS MUST BE INSTALLED IN COMPLIANCE WITH LOCAL, STATE, AND/OR FEDERAL CODES.

MODEL 7501

FOR MODEL 7501T, SEE SHEET 2 OF 2

		1455 KLEPPLE LANE	
SPARKS, NEVADA 89431		(775) 359-4712 FAX (775) 359-7424	
E-MAIL: HAWS@HAWS.CO.COM		WEBSITE: WWW.HAWS.CO.COM	
ECON. REVISED PER BY: JL		MODEL(S)	
DRAWN: ECON. 6/06		7501/7501T	
DATE: 06/30/16		SCALE: 1:1	
CHK'D: JL		DRAWING TYPE:	
APPROVED: FV		DATE: 09/22/24	
DATE: 09/22/24		INSTALLATION:	
SIZE: A1		SHEET: 1 OF 2	
PART NUMBER: 0002080045.D		REVISION: 19	



MUST USE WITH NEMA/TYPE 3R CERTIFIED COVERED OUTLET (NOT SUPPLIED).

MODEL 7501T
FOR MODEL 7501, SEE SHEET 1 OF 2

1455 KLEPPLE PLANE
SPARKS, NEVADA 89431
(775) 359-4712 FAX (775) 359-7424
E-MAIL: HAWS@HAWSCO.COM
WEBSITE: WWW.HAWSCO.COM

EGN NO. REVISED PER BY:	JL	MODEL(S)	7501/7501T
5096 EGN 6006	DATE	CHK'D:	
ML	06/30/16	JL	
APPROVED:	DATE	SCALE:	1:1
FV	09/22/24	DRAWING TYPE:	INSTALLATION
		SIZE:	A1 SHEET 2 OF 2
		REVISION:	19