

FEATURES & BENEFITS

MOUNTING

Coated steel carrier with mounting feet and heavy duty zinc-plated U-bolts. Provides the maximum mounting strength for many Haws wall mounted products, including drinking fountains.

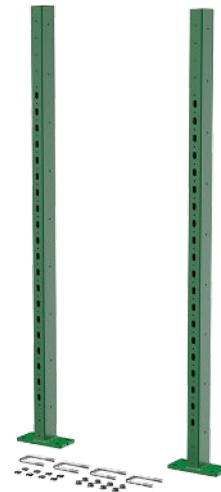
ADAPTABILITY

Includes mounting holes for plumbing stub out bracket and electrical boxes. Optional 6810W waste line insert allows for lateral waste line to fit within 2x4 wall.

OPTIONS

- Drain Line Insert: Model 6810W for allowing a lateral waste line to pass through a carrier upright.
- Mounting Plate: Model 6700 for most Haws single bubbler fountains and 1920-series bottle fillers.
- Mounting Plate: Model 6700.4 "Hi-Lo" for most Haws dual bubbler fountains.
- Mounting Plate: Model 6715 "Hi-Lo" for Haws fountain model 1501.
- Mounting Plate: Model 6717 for 1107 and 1117 series fountains.
- Mounting Plate: Model 6776 for 766X-series eyewash hand sinks.

For more information, visit www.hawsc.com or call (888) 640-4297.



SPECIFICATIONS

Model 6800 In-wall floor mounted fixture carrier: Two 2½" x 1½" x 1/8" thick structural steel uprights having 6" x 3" x 3/8" thick welded steel 4-bolt floor flanges, supplied with 'U' bolts and hardware. For use in conjunction with Haws in-wall mounting plates 6700, 6700.4, 6710, 6715, 6717, or 6776, for extra heavy duty fixture support. Fits inside standard 2" x 4" wall construction. Suitable for use with either 3/8" or 1/2" concrete anchors (by others). Includes mounting holes for plumbing stub out bracket and electrical boxes. Exceeds requirements when tested in accordance to ASME Standard A112.6.1M. Design was independently verified as suitable to meet HCAI and CBC anchor spacing requirements.

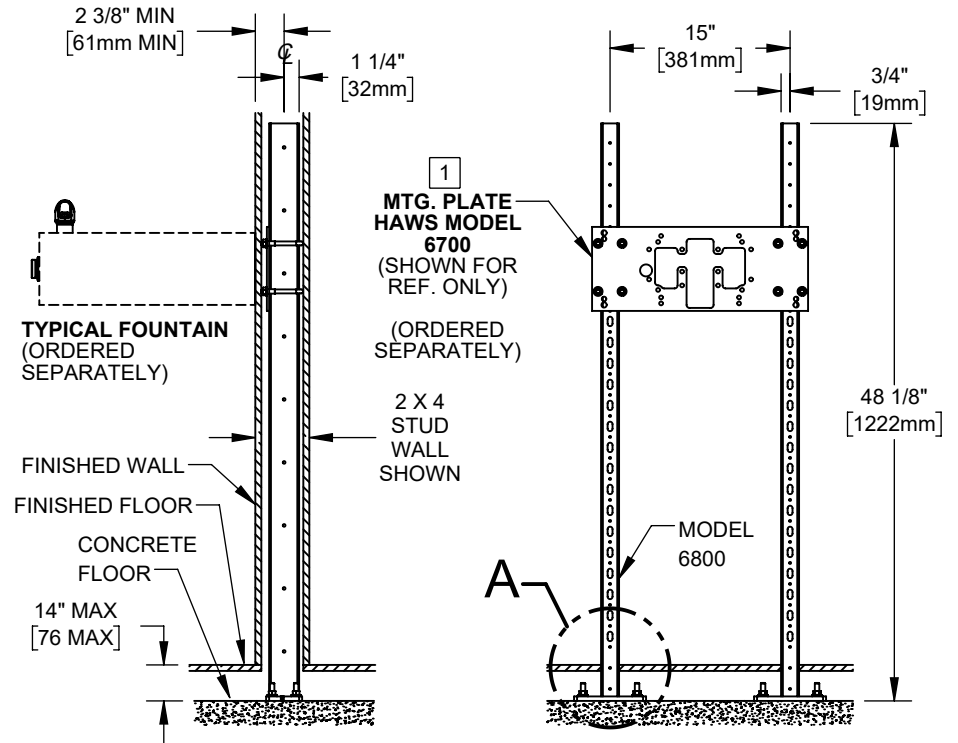
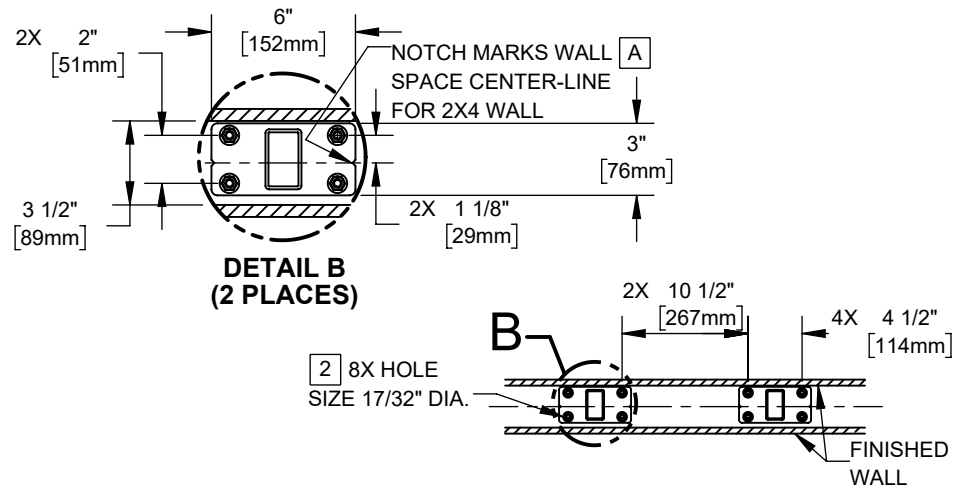
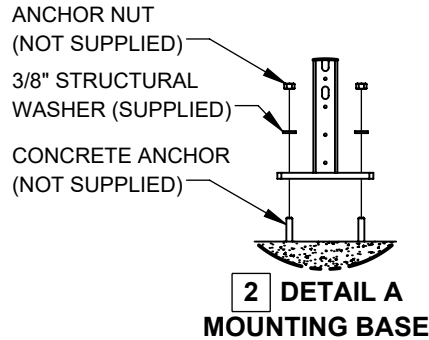
APPLICATIONS

Haws produces this mounting frame to assist in the installation process as well as to provide a solid base for the wall mounted designed fixtures. Mounting plates and frames meet the requirements solely for the specified applicable fountains and are not designed to be used in the installation of any unspecified fountain.

NOTES:

1. THE 6800 SUPPORT CARRIER CAN ALSO BE USED WITH MOUNTING PLATE MODELS 6705, 6710, 6715, 6717, AND 6776.
2. CONCRETE ANCHORS NOT SUPPLIED. 3/8" ANCHORS ARE RECOMMENDED AND SHOULD BE USED WITH SUPPLIED 3/8" STRUCTURAL WASHERS. 1/2" ANCHORS ARE ALSO ACCEPTABLE. ANCHORS SHALL BE PROPERLY SELECTED FOR THE APPLICATION AND SHALL HAVE A MINIMUM 1,200 LBF PULL OUT/AXIAL LOAD CAPACITY EACH.
3. HOLD ROUGH-IN DIMENSIONS ±1/4" (6.4mm).
4. WHEN INSTALLING THIS UNIT, LOCAL, STATE, OR FEDERAL CODES SHOULD BE ADHERED TO.
5. SLOTTED HOLES IN MODEL 6800 ARE FOR TOOL CLEARANCE TO INSTALL MODEL 6810W DRAIN BYPASS INSERT (SEE SHEET 3).
6. INSTALLATION SEQUENCE:
 - A. USE HAWS MODEL 6800/6810 FULLY ASSEMBLED TO MOUNTING PLATE AS A TEMPLATE IF DRILLING CONCRETE FOR ANCHORS.
 - B. FASTEN MODEL 6800 TO CONCRETE ANCHORS WITH THE SLOTTED HOLES FACING TOWARDS THE PLUMBING FIXTURE. FOLLOW THE ANCHOR MANUFACTURER'S INSTRUCTIONS FOR PROPER TORQUE.
 - C. INSTALL THE APPROPRIATE MOUNTING PLATE FOR YOUR PLUMBING FIXTURE (PURCHASED SEPARATELY) WITH THE SUPPLIED 3/8" U-BOLTS. REFER TO THE INSTALLATION DRAWINGS INCLUDED WITH THE MOUNTING PLATE FOR DETAILED INSTRUCTIONS FOR YOUR PLUMBING FIXTURE.

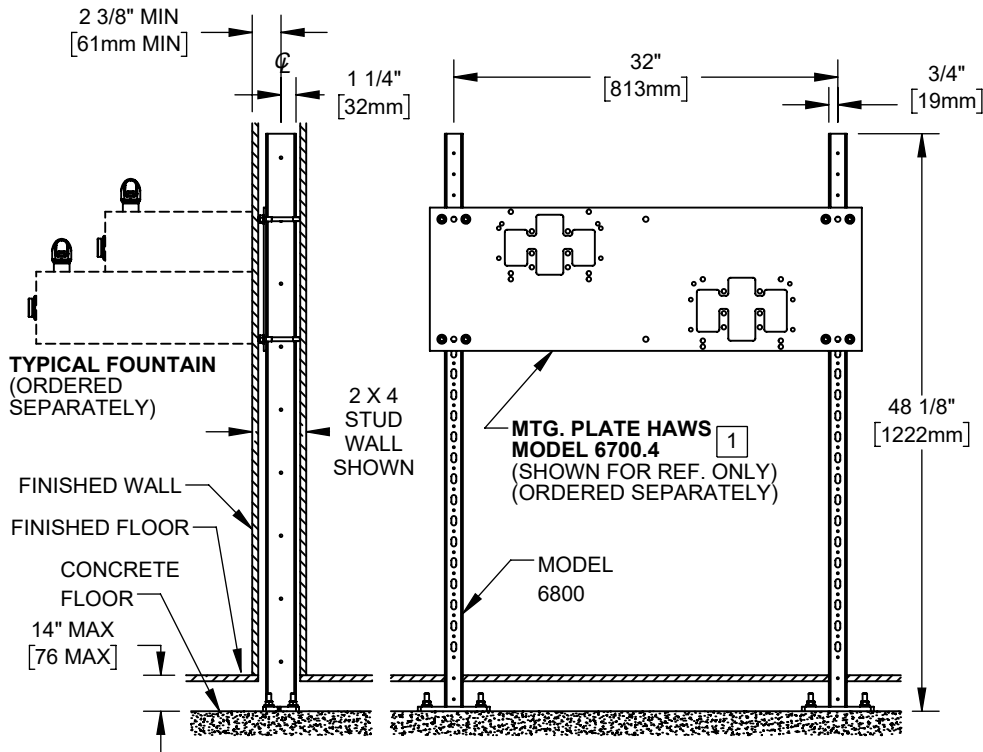
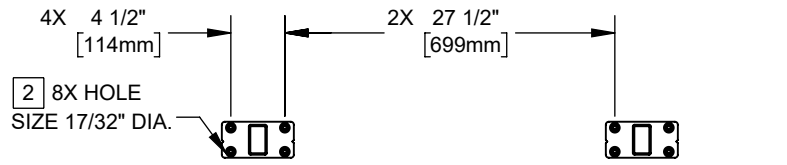
(NOTES FOR MODELS 6810 & 6810W ON SHEET 3)



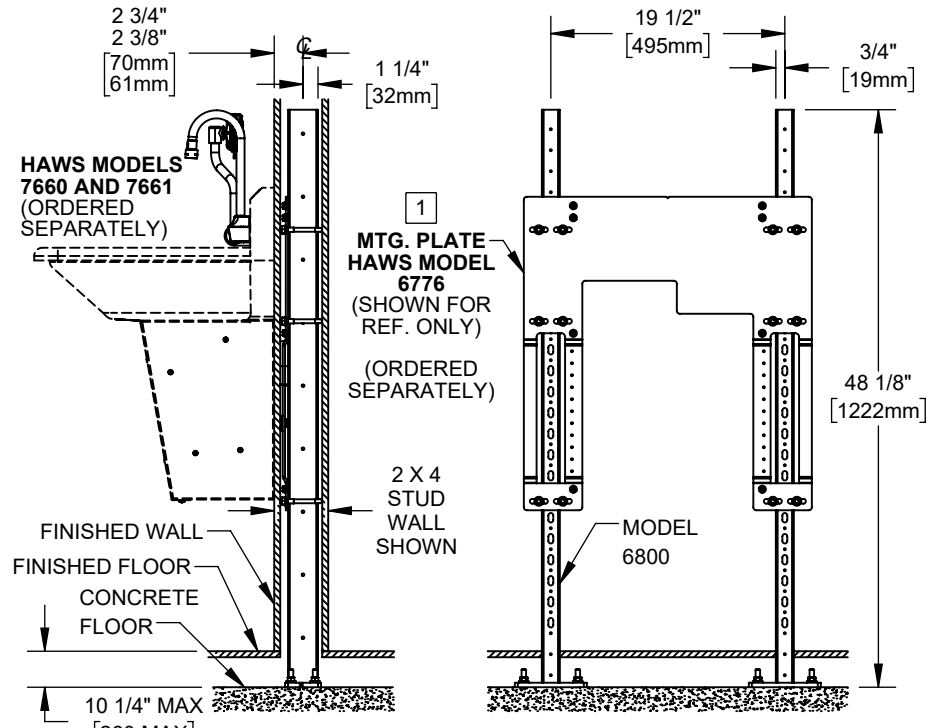
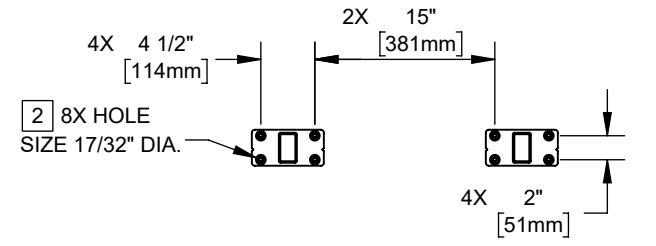
FOR MODELS: 1001, 1025, 1047, 1075, 1105, 1107L, AND 1109
SEE PAGES 2&3 FOR OTHER MODELS

ATTENTION
THIS IN-WALL CARRIER IS USED WITH SEVERAL DIFFERENT MODELS. FOR FOUNTAIN ROUGH-IN HEIGHTS AND MOUNTING PLATE ORIENTATION SEE THE MOST CURRENT INSTALLATION INSTRUCTIONS SUPPLIED WITH THE FOUNTAIN AND MOUNTING PLATE BEING USED PRIOR TO INSTALLING THIS UNIT.

		1455 KLEPPE LANE SPARKS, NEVADA 89431 (775) 359-4712 FAX (775) 359-7424 E-MAIL: HAWS@HAWSO.COM WEBSITE: WWW.HAWSO.COM	
		ECN: 5877 REV. ECN: 5877 DRAWN: JU DATE: 01/09/23 APPROVED: DHP DATE: 02/06/23	BY: JU CHKD: JU MODEL(S): 6800, 6810, & 6810W UNIVERSAL IN WALL CARRIER SUPPORT
SCALE: 1:16 DRAWING TYPE: INSTALLATION SIZE: A			



FOR MODELS: 1011, 1117L, 1119 AND 1119.14



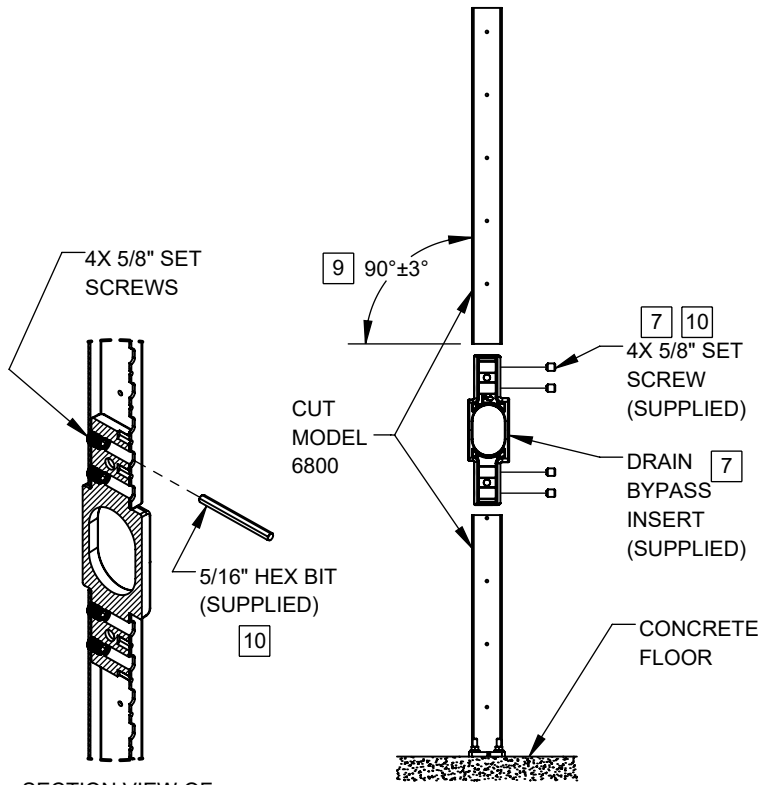
FOR MODELS: 7660 AND 7661

1455 KLEPPE LANE
 SPARKS, NEVADA 89431
 (775) 359-4712 FAX (775) 359-7424
 E-MAIL: HAWS@HAWSCO.COM
 WEBSITE: WWW.HAWSCO.COM

ECN: 5877		REV. ECN: 5877	BY: JU	MODEL(S) 6800, 6810, & 6810W UNIVERSAL IN WALL CARRIER SUPPORT	PART NUMBER 0002080019
DRAWN: JU	DATE: 01/09/23	CHKD: JU			REVISION 1
APPROVED: DHP	DATE: 02/06/23	SCALE: 1:16	DRAWING TYPE: INSTALLATION	SIZE: A	SHEET 2 OF 3

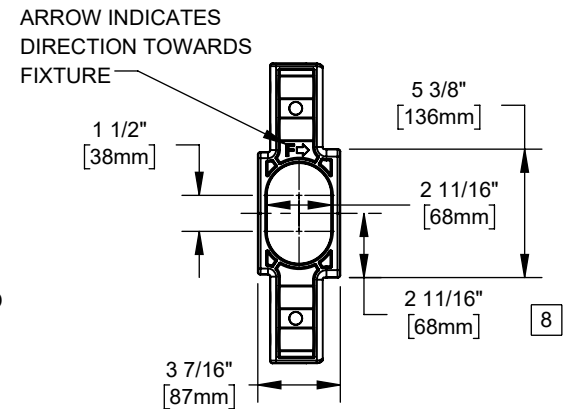
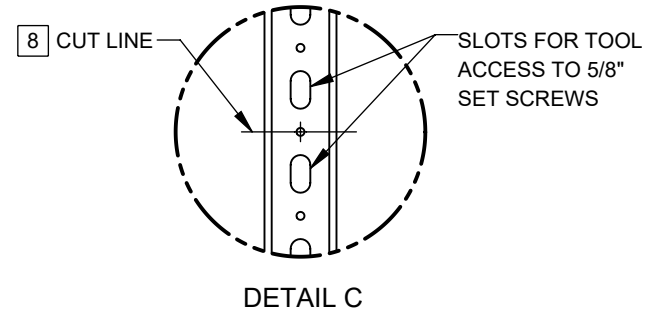
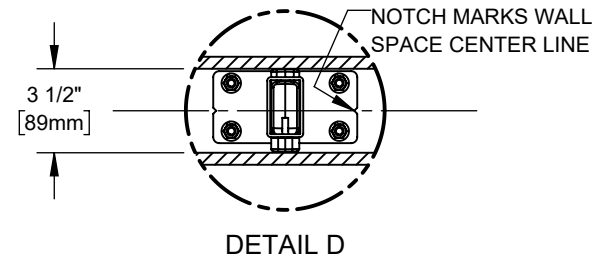
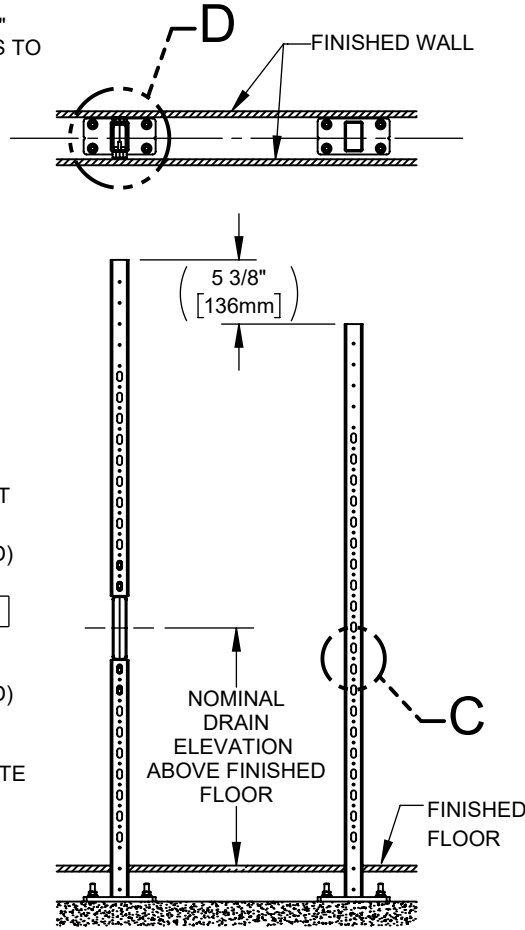
(NOTES FOR MODELS 6810 & 6810W)

7. HAWS MODEL 6810W, DRAIN BYPASS INSERT, IS USED TO ALLOW LATERAL DRAIN INSTALLATION IN NARROW WALL CAVITIES SUCH AS 2X4 WALLS.
8. CUT MODEL 6800, IN-WALL CARRIER, ROUGHLY 2 11/16" BELOW DESIRED NOMINAL DRAIN ELEVATION THROUGH THE CENTER OF THE CLOSEST .170" DIA. HOLE ±1/8".
9. CUT MODEL 6800, IN-WALL CARRIER, SQUARE ±3°.
10. TORQUE 5/8" SET SCREWS TO 12 LB-FT USING THE SUPPLIED 5/16" HEX BIT. USE A STRAIGHT EDGE WHILE TIGHTENING SET SCREWS TO ENSURE THE VERTICAL SUPPORT IS STRAIGHT.
11. DRAIN BYPASS INSERT CAN BE INSTALLED IN RIGHT, LEFT, OR BOTH VERTICAL SUPPORTS OF MODEL 6800.




SECTION VIEW OF INSTALLED 6810W DRAIN BYPASS INSERT

HAWS MODEL 6810: MODEL 6800 WITH MODEL 6810W DRAIN BYPASS INSERT



DRAIN BYPASS INSERT

				1455 KLEPPE LANE SPARKS, NEVADA 89431 (775) 359-4712 FAX (775) 359-7424 E-MAIL: HAWS@HAWSCO.COM WEBSITE: WWW.HAWSCO.COM	
				ECN: 5877 REV. ECN: 5877 DRAWN: JU APPROVED: DHP	BY: JU CHKD: JU DATE: 01/09/23 DATE: 02/06/23
SCALE: 1:16		DRAWING TYPE: INSTALLATION		SIZE: A	