

FEATURES & BENEFITS

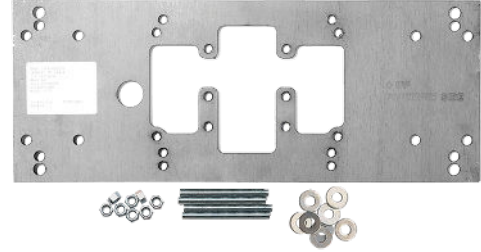
MOUNTING

Heavy Duty 3/16" (.47 cm) steel pre-drilled and threaded in-wall mounting plate along with all-thread studs and hardware

OPTIONS

- Support Frame: Model 6800 In-wall floor mounted fixture support legs, welded steel 4-bolt floor flanges, and supplied with 'U' bolts and hardware.

For more information, visit www.hawesco.com or call (888) 640-4297.

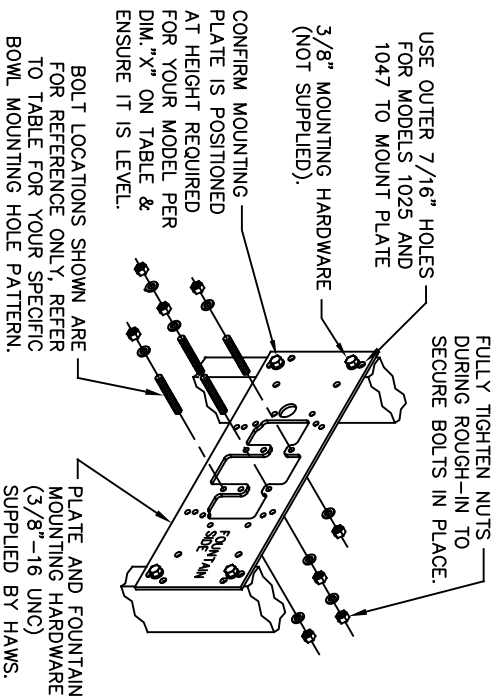
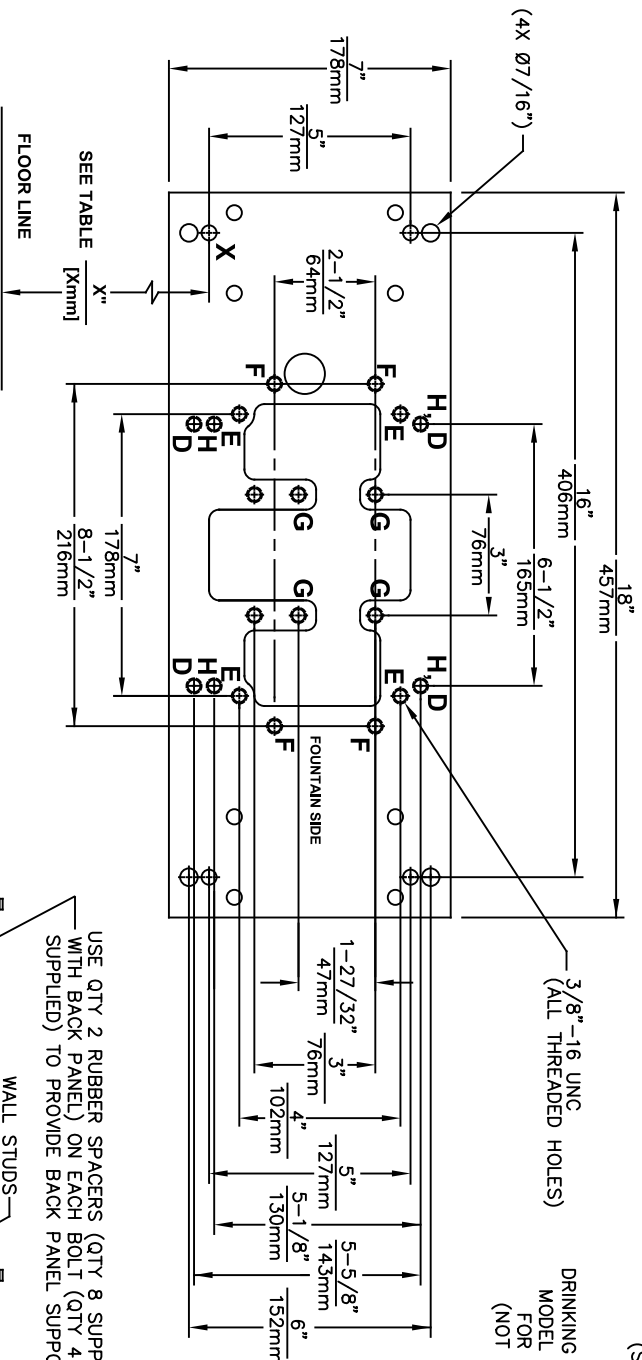


SPECIFICATIONS

Model 6700 in-wall 3/16" thick steel mounting plate is larger, thicker and stronger than any other plate in the industry, and shall include the all-thread studs, nuts, and washers. For use with many Haws single bubbler fountains or 1920 series bottle fillers.

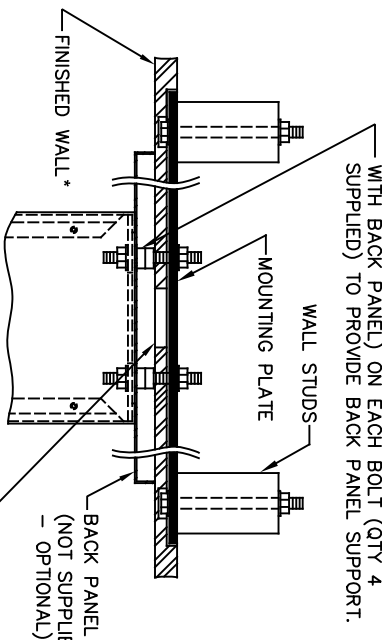
APPLICATIONS

Haws produces mounting plates and frames to assist in the installation process as well as to provide a solid base for the wall mounted designed fountains. Mounting plates and frames meet the requirements solely for the specified applicable fountains and are not designed to be used in the installation of any unspecified fountain.



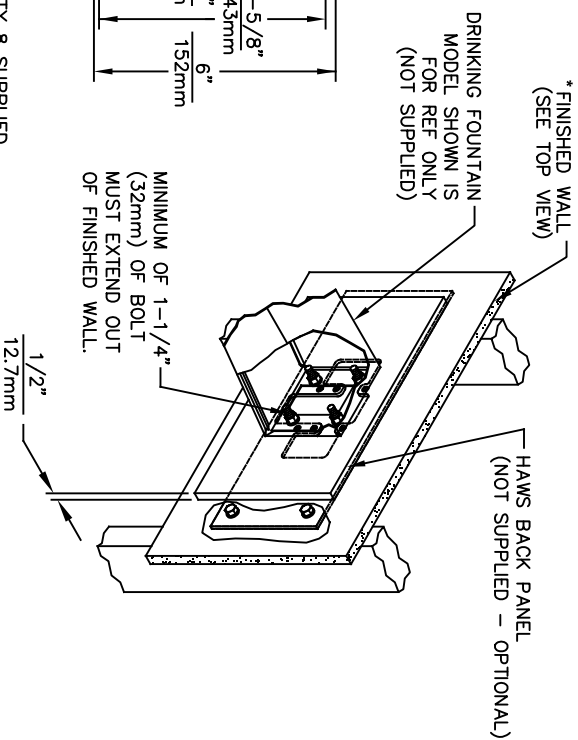
CAUTION

REGARDING CONCRETE/MASONRY WALL MOUNTING: DO NOT SECURE MOUNTING PLATE TO SAME SIDE OF WALL AS FOUNTAIN. AVOID COMPROMISING INTEGRITY OF WALL WHEN ANCHORING FOUNTAIN. IT IS RECOMMENDED THAT INSTALLER CALL TECHNICAL SUPPORT IF THERE ARE ANY QUESTIONS AS TO HOW TO OBTAIN A PROPER ANCHOR IN CONCRETE/MASONRY WALLS. 1-800-766-5612



TOP VIEW

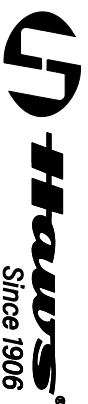
6700 MOUNTING PLATE FOR USE WITH DRINKING FOUNTAINS AND WASTE DRIP TRAYS AT 27" ADULT HEIGHT (SEE SHEETS 2 - 5 FOR USE WITH BOTTLE FILLER 1920/1920HO SERIES AND CHILD HEIGHT APPLICATIONS)



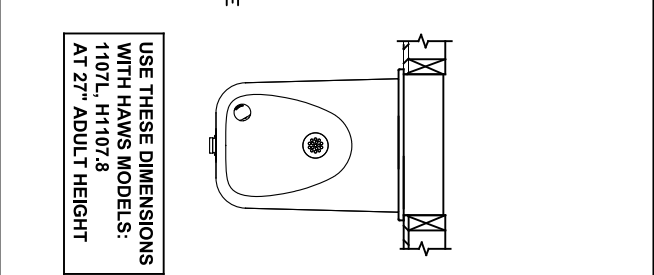
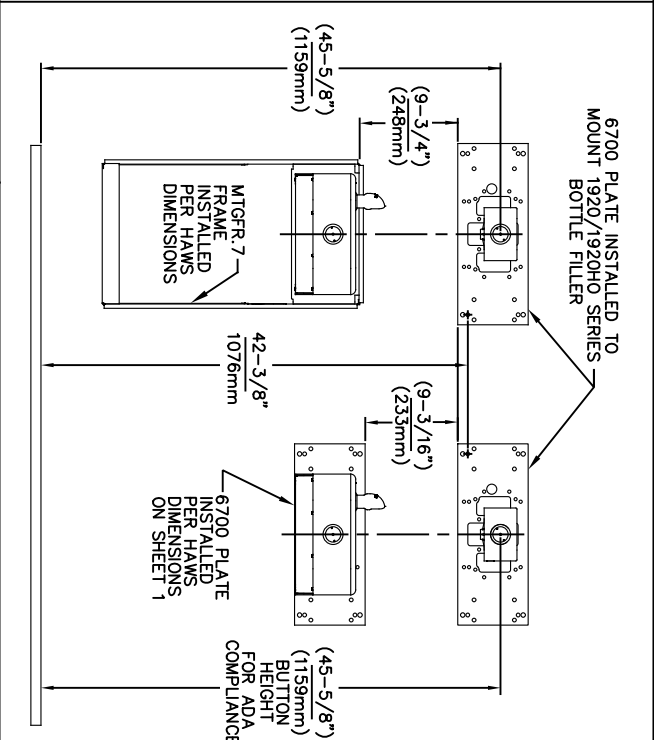
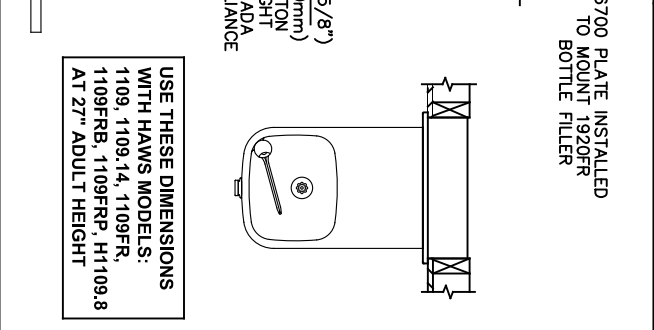
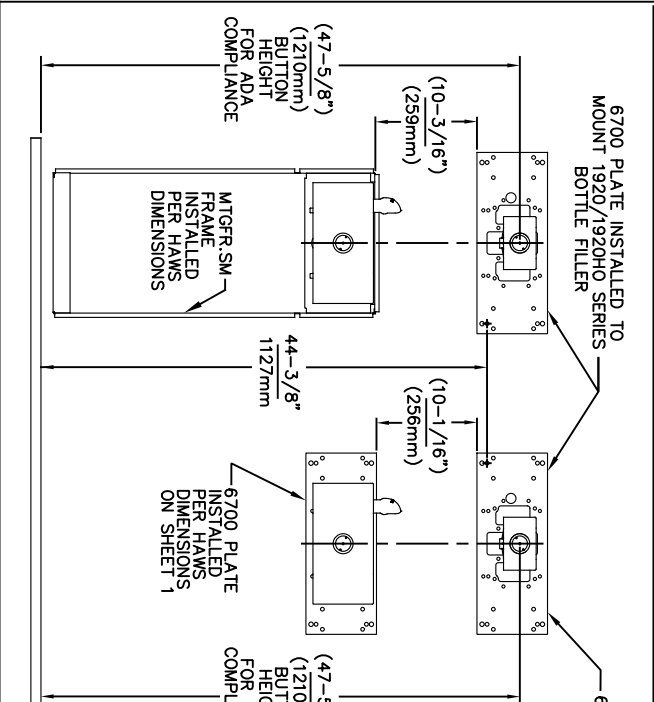
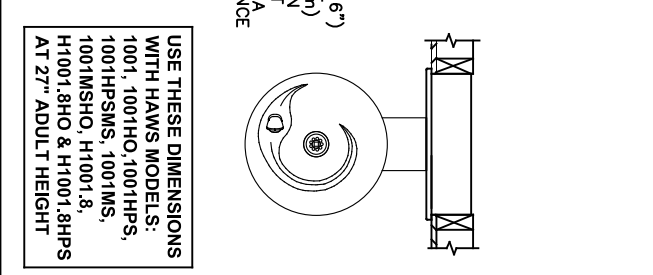
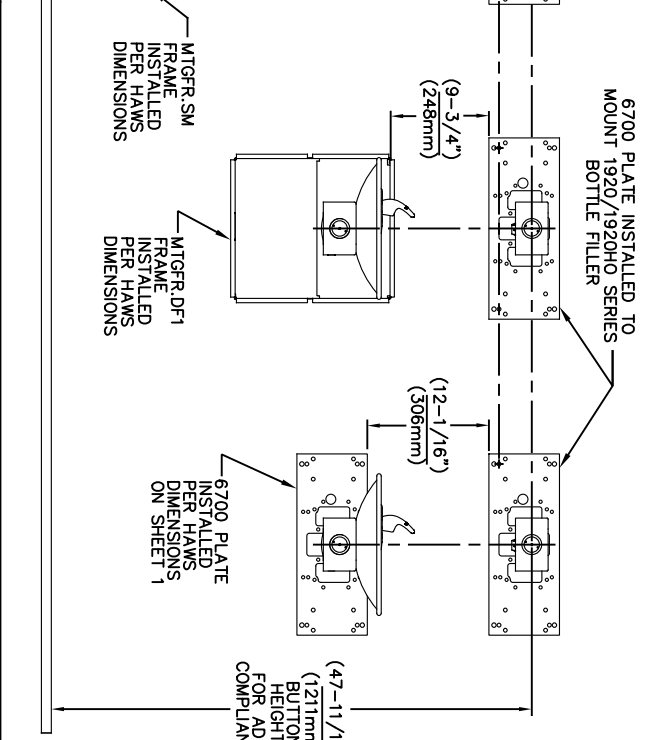
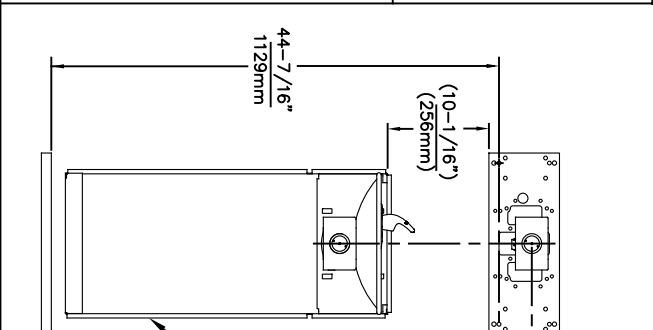
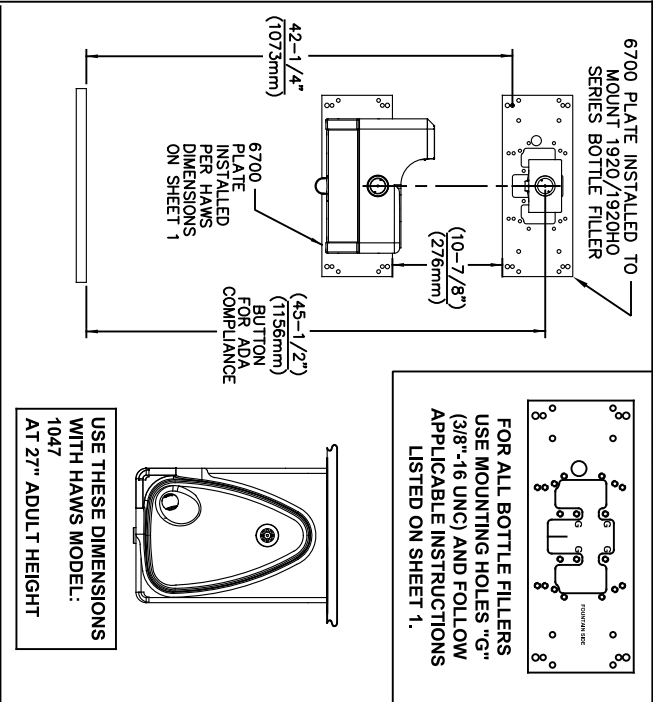
MODEL	USE BOWL MTG. HOLE PATTERN	USE "X" DIM. BELOW TO POSITION MOUNTING PLATE HOLE "X"
1001	"G"	25-3/8" [645mm]
1025	"D"	28-1/8" [714mm]
1047	"E"	24-3/8" [619mm]
1105	"H"	34-5/16" [872mm]
1107L	"F"	26-3/16" [665mm]
1109	"H"	27-5/16" [694mm]
1109.14	"H"	27-5/16" [694mm]
1109FR	"H"	27-5/16" [694mm]
1311	"E"	26-3/4" [679mm]

WASTE DRIP TRAY (ONLY) AT 27" ADULT HEIGHT	PART NUMBER
"G"	6468
"G"	1922

*FINISH WALL OVER MOUNTING PLATE AND BEHIND BACK PANEL. MAKE SURE THAT FINISHED WALL EXTENDS WITHIN THE BRACKET/BOWL MOUNTING HOLES (TO PROVIDE SURFACE AREA FOR RUBBER SPACERS TO CONTACT).



ECN NO. REVISED PER BY:	MODEL(S)	1455 KLEPPE LANE
ECN. 6005	6700	SPARKS, NEVADA 89431
DATE: 09/03/23		(775) 369-4712 FAX (775) 359-7424
CHK'D: KM		E-MAIL: HAWKS@HAWSCO.COM
SCALE: N/A		WEBSITE: WWW.HAWSCO.COM
DRAWING TYPE: INSTALLATION		
APPROVED: FV		
DATE: 02/26/24		
SIZE: A		
SHEET: 1 OF 5		

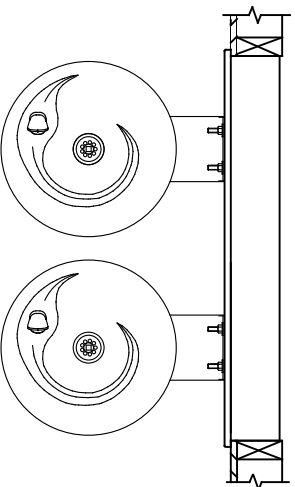
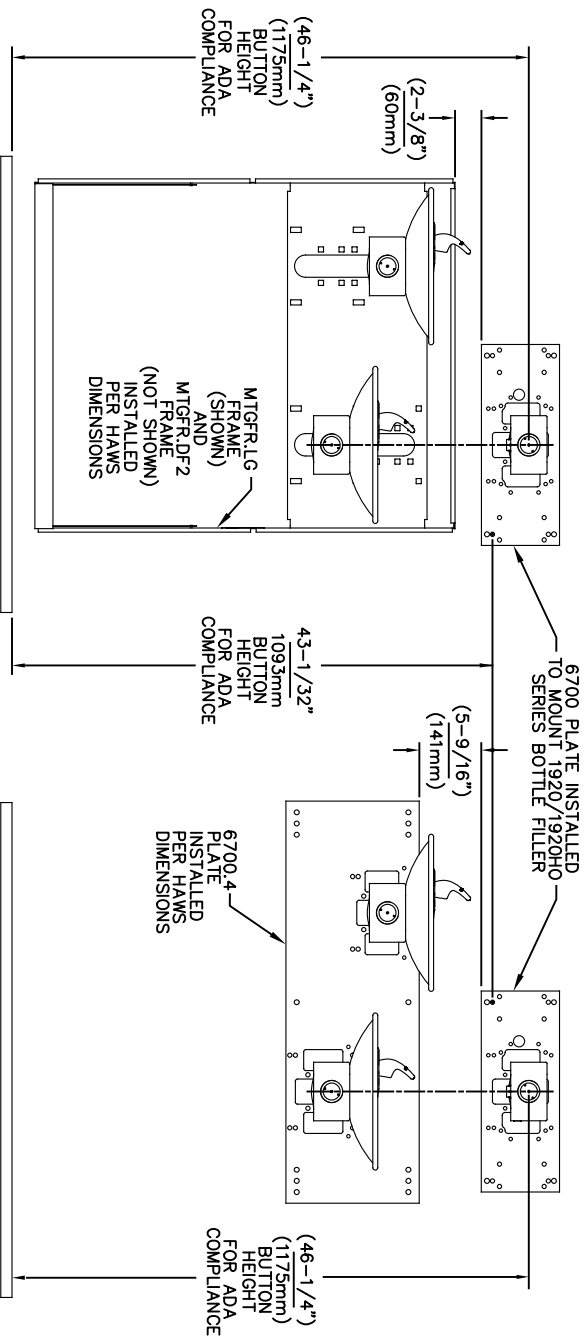


NOTES:
 1. WHEN INSTALLING THIS UNIT, LOCAL, STATE OR FEDERAL CODES SHOULD BE ADHERED TO.
 2. BACK PANELS (OPTIONAL) NOT SHOWN FOR CLARITY.

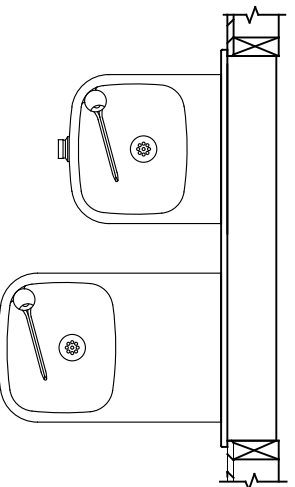
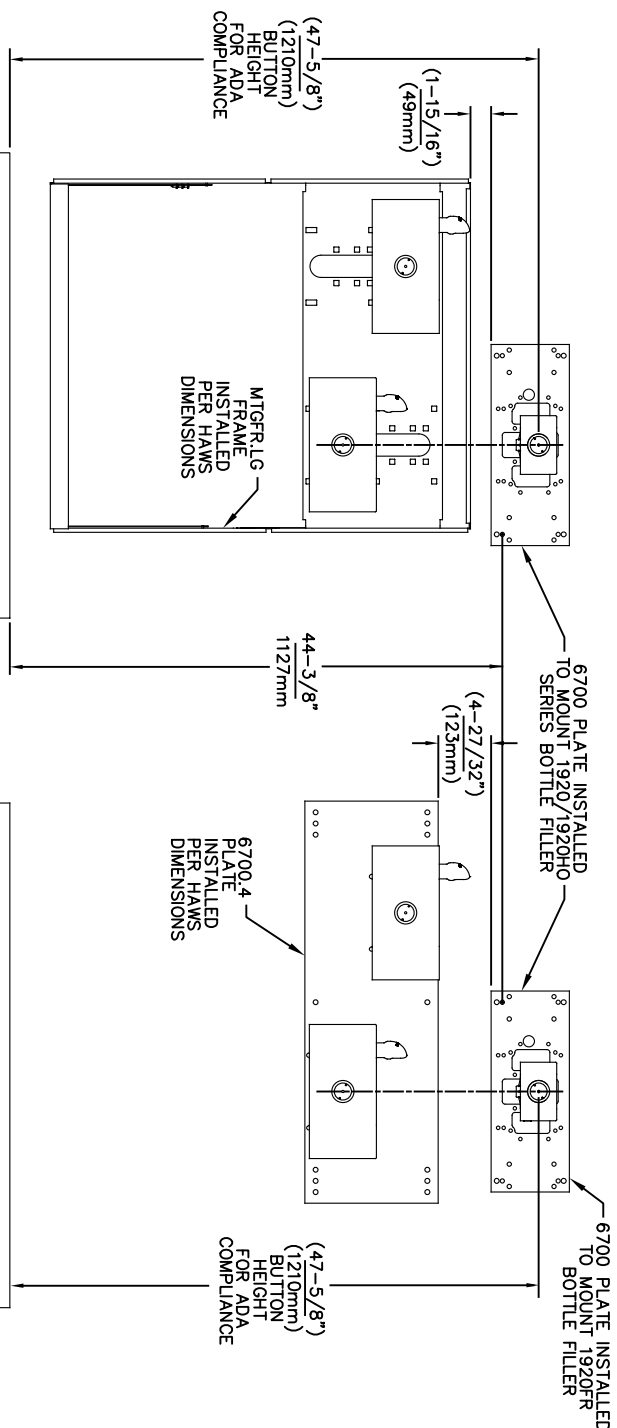
6700 MOUNTING PLATE
 FOR USE WITH BOTTLE FILLER
 (SEE SHEET 1 FOR USE WITH
 DRINKING FOUNTAINS)

1455 KLEPPE LANE
 SPARKS, NEVADA 89431
 (775) 359-4712 FAX (775) 359-7424
 E-MAIL: HAWS@HAWS.CO.COM
 WEBSITE: WWW.HAWS.CO.COM

ECN NO. REVISED PER BY:	MODEL(S)
ECN 6005	67/00
DATE: 02/09/17	CHK'D:
DATE: 02/09/17	DATE:
APPROVED: FV	SCALE: N/A
DATE: 02/26/24	DRAWING TYPE: INSTALLATION
SIZE: A	SHEET: 2 OF 5
REVISION: 24	



USE THESE MOUNTING DIMENSIONS IF INSTALLING OVER HAWS FOUNTAIN
MODEL: 1011, 1011HO, 1011HO2, 1011HPS, 1011HPSHO, 1011HPSHO2, 1011HPSMS, 1011MS, 1011MSHO, 1011MSHO2, H1011.8, H1011.8HO, H1011.8HO2 & H1011.8HPSM AT 27" ADULT HEIGHT
INSTALL THE 6700 ABOVE THE FOUNTAIN MOUNTING PLATE OR FRAME AT THE DIMENSION SHOWN FOR CORRECT BACKPANEL SPACING
BACK PANELS FOR BOTTLE FILLEERS (NOT SUPPLIED - OPTIONAL) ARE NOT SHOWN FOR CLARITY.



USE THESE MOUNTING DIMENSIONS IF INSTALLING OVER HAWS FOUNTAIN
MODEL: 1119, 1119.14, 1119.14HO, 1119.14HO2, 1119FR, 1119FRB, 1119FRP, 1119HO, 1119HO2 & H1119.8 AT 27" ADULT HEIGHT
INSTALL THE 6700 ABOVE THE FOUNTAIN MOUNTING PLATE OR FRAME AT THE DIMENSION SHOWN FOR CORRECT BACKPANEL SPACING
BACK PANELS FOR BOTTLE FILLEERS (NOT SUPPLIED - OPTIONAL) ARE NOT SHOWN FOR CLARITY.

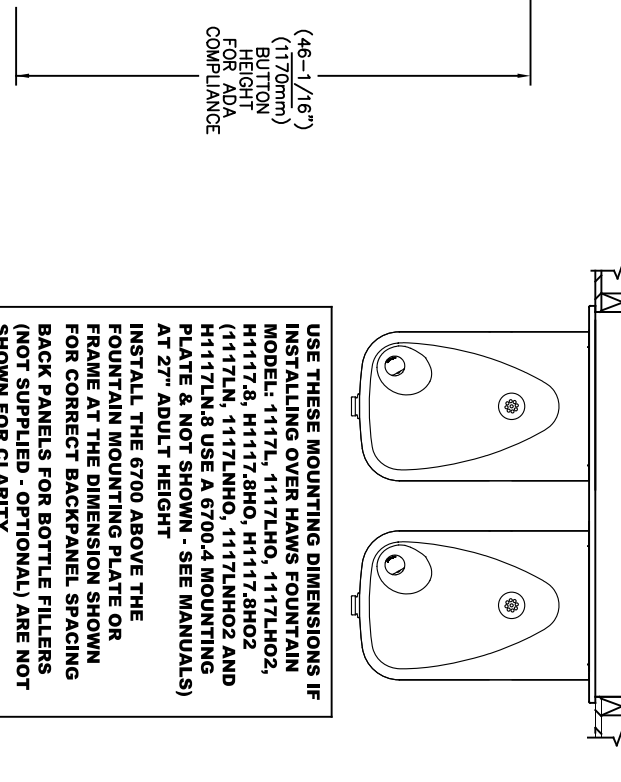
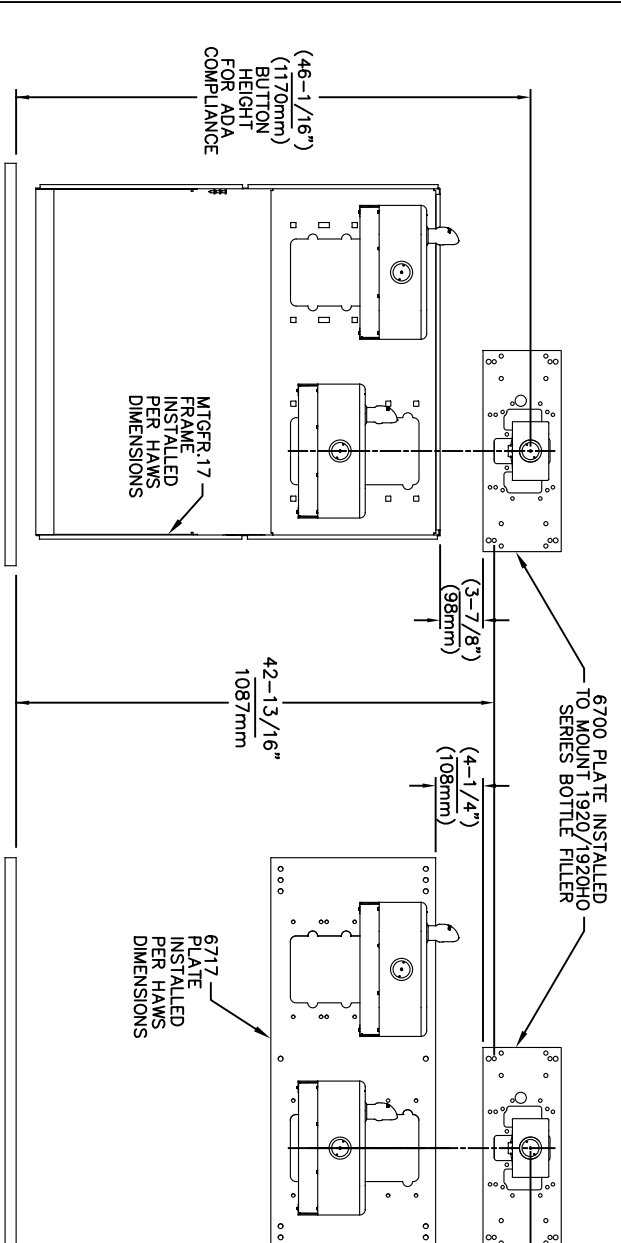
- NOTES:**
- WHEN INSTALLING THIS UNIT, LOCAL, STATE OR FEDERAL CODES SHOULD BE ADHERED TO.
 - BACK PANELS (OPTIONAL) NOT SHOWN FOR CLARITY.

6700 MOUNTING PLATE
FOR USE WITH BOTTLE FILLER
(SEE SHEET 1 FOR USE WITH DRINKING FOUNTAINS)

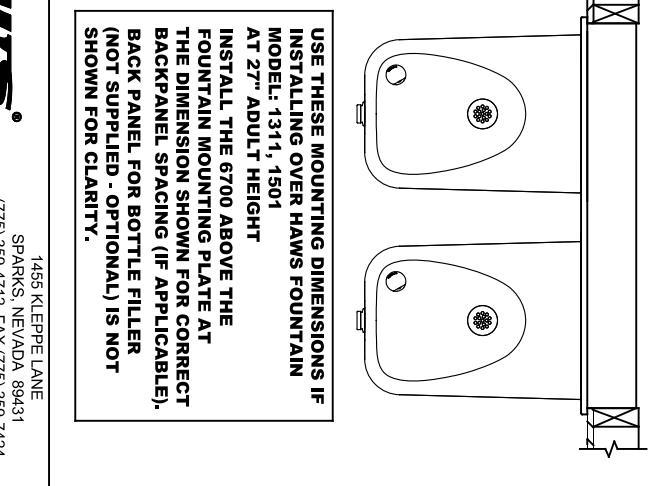
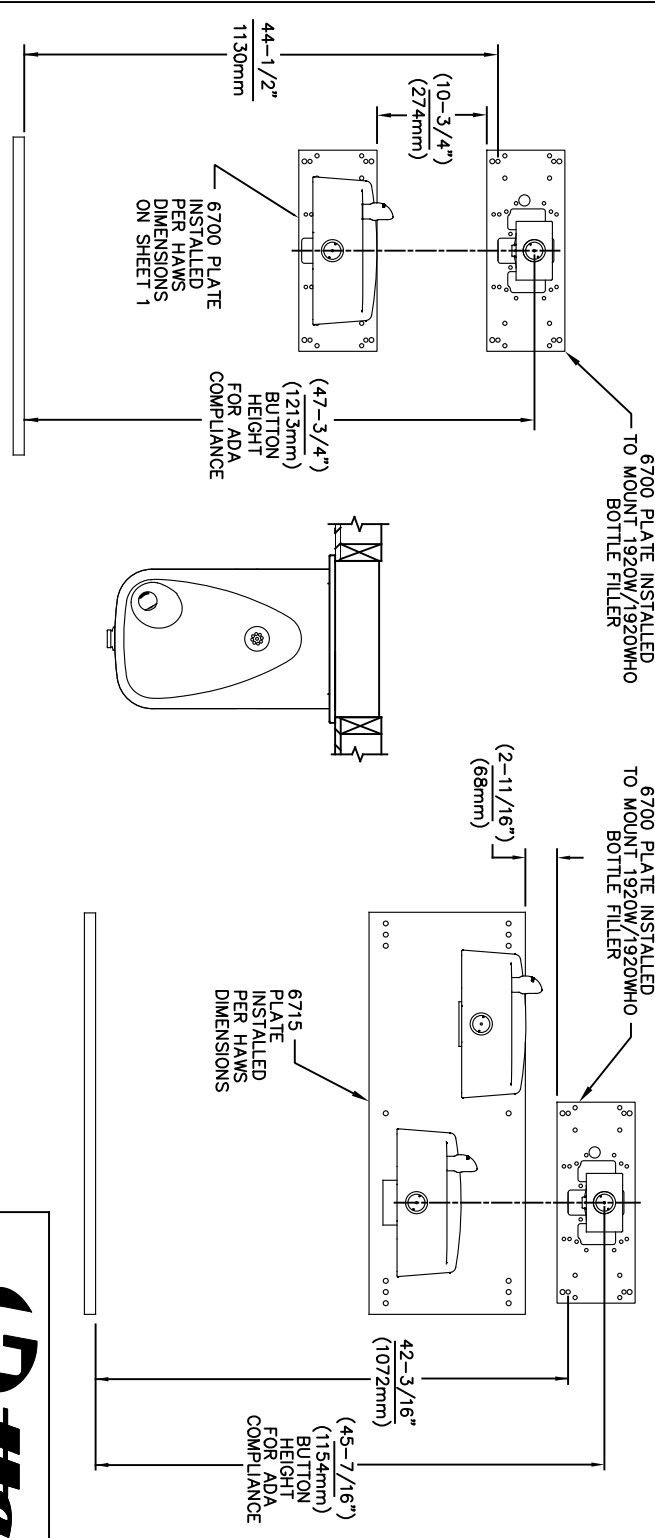


ECON. NO. REVISED PER BY:		MODEL(S)	
5550	ECON. 6005	FV	6700
DATE: 05/14/20	CHKD. KM	DATE: 02/26/24	SCALE: 1:13
DRAWN: FV		DRAWING TYPE:	
APPROVED: FV		INSTALLATION:	
DATE: 02/26/24		SIZE: A	
SCALE: 1:13		SHEET 3 OF 5	
PART NUMBER: 0002080016		REVISION: 24	

1459 KLEPPE LANE
 SPARKS, NEVADA 89431
 (775) 359-4712 FAX (775) 359-7424
 E-MAIL: HAWS@HAWSCO.COM
 WEBSITE: WWW.HAWSCO.COM



USE THESE MOUNTING DIMENSIONS IF INSTALLING OVER HAWS FOUNTAIN
MODEL: 1117L, 1117LHO, 1117LHO2, H1117.8, H1117.8HO, H1117.8HO2 (1117LN, 1117LNHO, 1117LNHO2 AND H1117LN.8 USE A 6700.4 MOUNTING PLATE & NOT SHOWN - SEE MANUALS) AT 27" ADULT HEIGHT
INSTALL THE 6700 ABOVE THE FOUNTAIN MOUNTING PLATE OR FRAME AT THE DIMENSION SHOWN FOR CORRECT BACKPANEL SPACING
BACK PANELS FOR BOTTLE FILLERS (NOT SUPPLIED - OPTIONAL) ARE NOT SHOWN FOR CLARITY.



USE THESE MOUNTING DIMENSIONS IF INSTALLING OVER HAWS FOUNTAIN
MODEL: 1311, 1501
AT 27" ADULT HEIGHT
INSTALL THE 6700 ABOVE THE FOUNTAIN MOUNTING PLATE AT THE DIMENSION SHOWN FOR CORRECT BACKPANEL SPACING (IF APPLICABLE). BACK PANEL FOR BOTTLE FILLER (NOT SUPPLIED - OPTIONAL) IS NOT SHOWN FOR CLARITY.

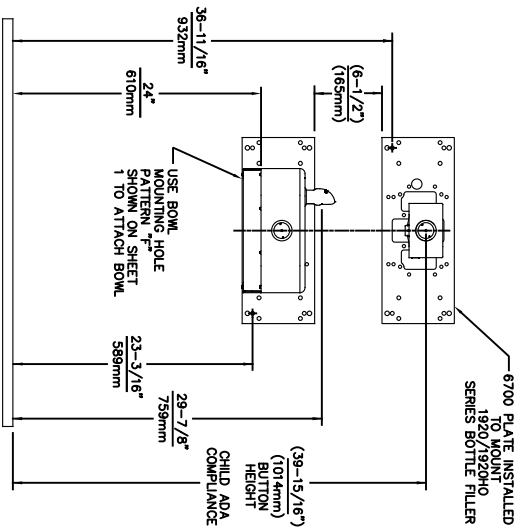
- NOTES:**
1. WHEN INSTALLING THIS UNIT, LOCAL, STATE OR FEDERAL CODES SHOULD BE ADHERED TO.
 2. BACK PANELS (OPTIONAL) NOT SHOWN FOR CLARITY.

6700 MOUNTING PLATE FOR USE WITH BOTTLE FILLER (SEE SHEET 1 FOR USE WITH DRINKING FOUNTAINS)

Since 1906

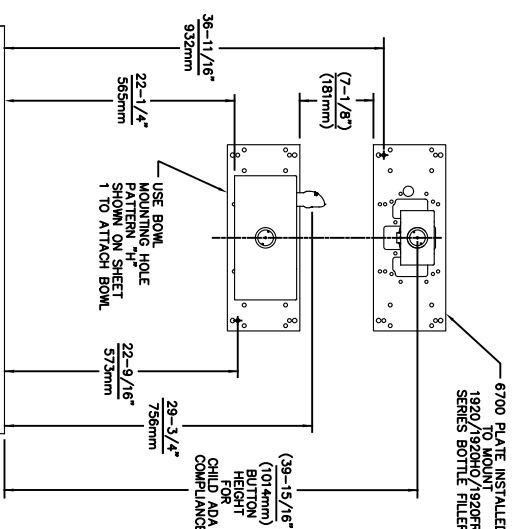
1459 KLEPPE LANE
 SPARKS, NEVADA, 89431
 (775) 399-4712 FAX (775) 399-7424
 E-MAIL: HAWS@HAWSCO.COM
 WEBSITE: WWW.HAWSCO.COM

ECON. REVISED PER BY:	MODEL(S)	PART NUMBER	INSTALLATION
5550	6700	0002080016	
DATE: 05/14/20	DATE:	REVISION: 24	
CHKD. KM	SCALE: 1:13	DRAWING TYPE:	SHEET 4 OF 5
APPROVED: FV	DATE: 02/26/24		



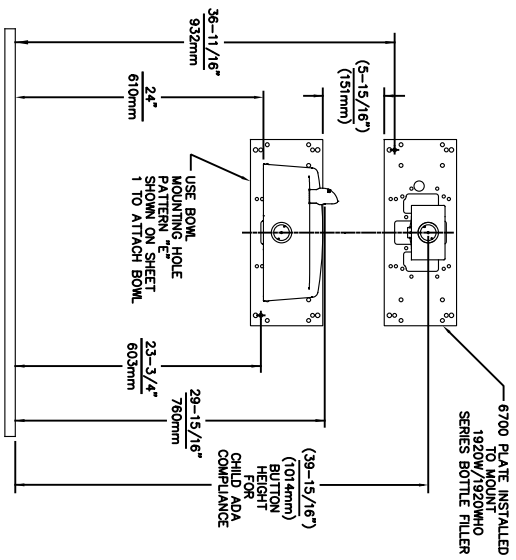
USE THESE DIMENSIONS WITH HAWS MODEL: 1107L AT 24" CHILD HEIGHT *

6700 MOUNTING PLATE FOR USE WITH BOTTLE FILLER AT 40" MAX. AND DRINKING FOUNTAIN AT 24" AND BUBBLER HEIGHT AT 30" MAX. FOR CHILD ADA HEIGHT (SEE SHEETS 1 & 2 FOR USE WITH DRINKING FOUNTAIN AT 27" ADULT HEIGHT DIMENSIONS)



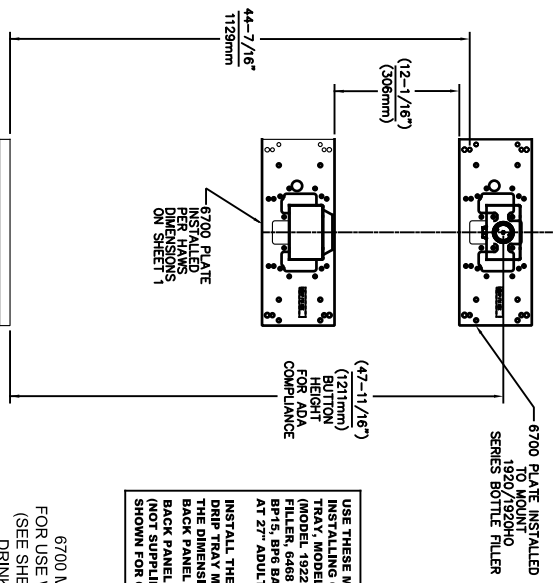
USE THESE DIMENSIONS WITH HAWS MODEL: 1109S, 1109L, 1109R, 1109RB, 1109RRP AT 27\" HEIGHT TO ACHIEVE 30\" MAX. CHILD ADA BUBBLER HEIGHT *

6700 MOUNTING PLATE FOR USE WITH BOTTLE FILLER AT 40" MAX. AND DRINKING FOUNTAIN BUBBLER HEIGHT AT 30" MAX. FOR CHILD ADA HEIGHT (SEE SHEETS 1 & 2 FOR USE WITH DRINKING FOUNTAIN AT 27" ADULT HEIGHT DIMENSIONS)



USE THESE DIMENSIONS WITH HAWS MODEL: 1511 AT 24\" CHILD HEIGHT *

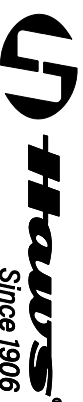
6700 MOUNTING PLATE FOR USE WITH BOTTLE FILLER AT 40" MAX. AND DRINKING FOUNTAIN AT 24" AND BUBBLER HEIGHT AT 30" MAX. FOR CHILD ADA HEIGHT (SEE SHEETS 1 & 4 FOR USE WITH DRINKING FOUNTAIN AT 27" ADULT HEIGHT DIMENSIONS)



USE THESE MOUNTING DIMENSIONS IF INSTALLING OVER HAWS WASTE DRIP TRAY. MODEL: 6468 (SHOWN), 1922 (MODEL 1922 INCLUDES 1920 BOTTLE FILLER, 6468 WASTE DRIP TRAY AND 1922 WASTE TRAYS (NOT SHOWN), AT 27\" ADULT HEIGHT

INSTALL THE 6700 ABOVE THE DRIP TRAY MOUNTING PLATE AT THE DIMENSION SHOWN FOR CORRECT BACK PANEL SPACING (IF APPLICABLE, (NOT SUPPLIED - OPTIONAL) IS NOT SHOWN FOR CLARITY.

6700 MOUNTING PLATE FOR USE WITH BOTTLE FILLER (SEE SHEET 1 FOR USE WITH DRINKING FOUNTAINS AND WASTE DRIP TRAY)



ECN NO. REVISED PER BY:	MODEL(S)	1455 KLEPPE LANE
5893 1	6700	SPARKS, NEVADA, 89431
DATE: CHKD:		(775) 399-4712 FAX (775) 399-7424
07/26/23 KM		E-MAIL: HAWS@HAWSCO.COM
APPROVED:		WEBSITE: WWW.HAWSCO.COM
SCALE: 1:13	DRAWING TYPE:	PART NUMBER
02/26/24	INSTALLATION	0002080016
	SHEET 5 OF 5	REVISION: 24