

FEATURES & BENEFITS

CONSTRUCTION

Constructed of see-through acrylic, this canister style sand and debris trap is used directly under the drain on models 3500 and 3511, and allows easy access and maintenance.

OPTIONS

For more information, visit www.hawesco.com or call (888) 640-4297.



SPECIFICATIONS

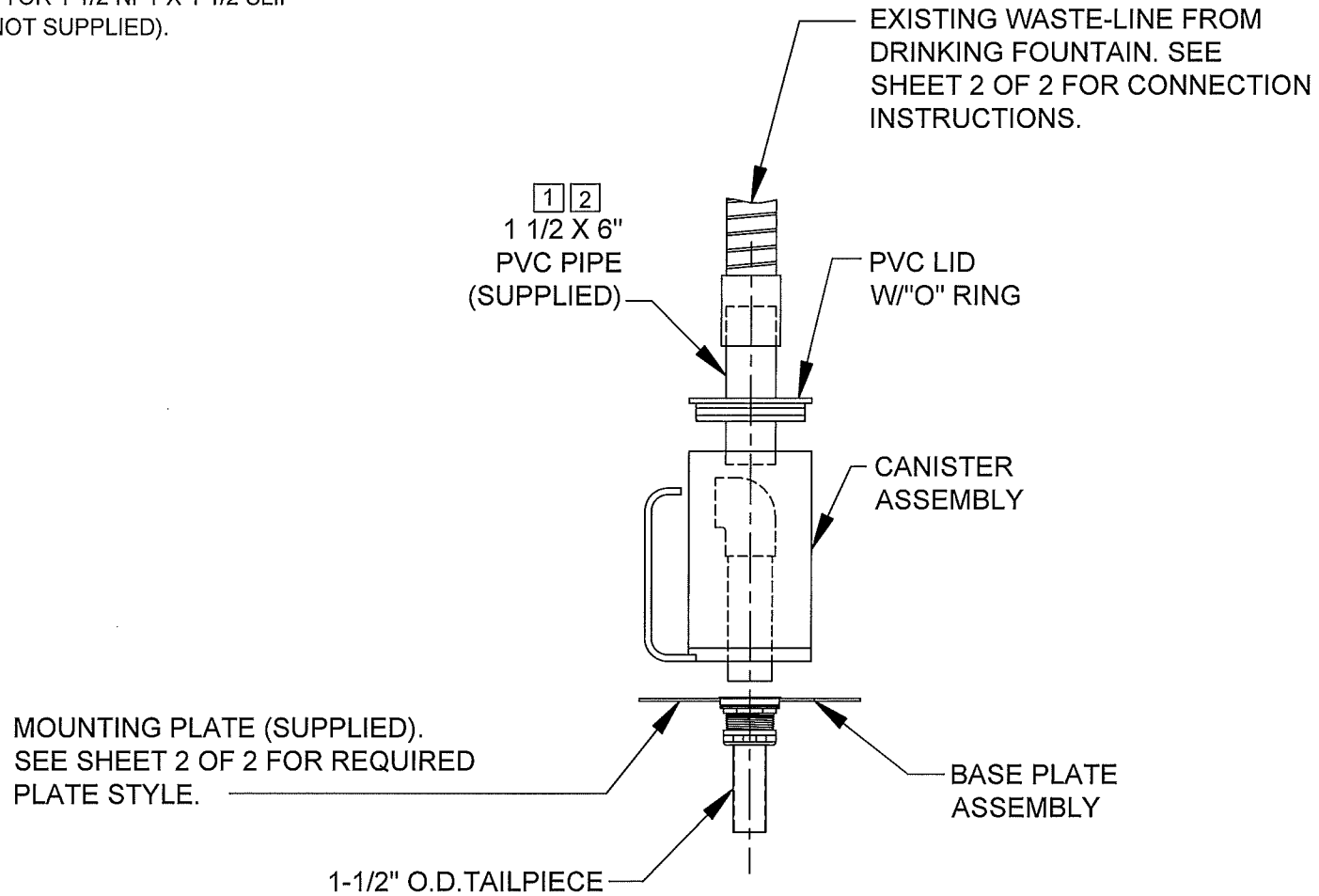
Model 6635 sand trap shall include a see through acrylic canister with lifting handle for 3500, 3511 and 3600 series fountains. (This option cannot be used in conjunction with the 6250LF bib faucet on 3511).

APPLICATIONS


Specifically, this sand and debris trap is intended for models 3511 or 3500 when there is a concern for blockage of the waste lines.

NOTES:

- 1 CUSTOMER TO CUT 1 1/2" X 6" PVC PIPE (SUPPLIED) TO REQUIRED LENGTH.
- 2 CUSTOMER TO ATTACH PVC PIPE TO EXISTING PVC FITTING USING APPROPRIATE PVC GLUE.
- 3 PVC SCH.40 MALE ADAPTOR 1 1/2 NPT X 1 1/2 SLIP WASTE CONNECTION (NOT SUPPLIED).

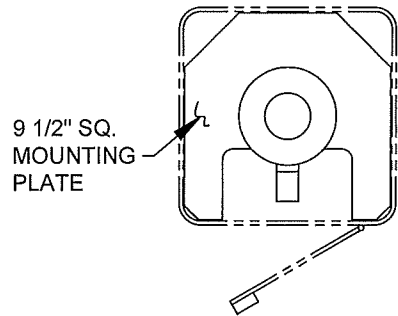


**SANDTRAP ASSEMBLY
DETAILS**

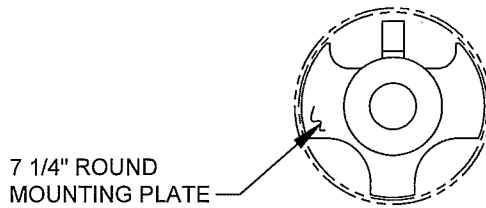
			1455 KLEPPE LANE SPARKS, NEVADA 89431 (775) 359-4712 FAX (755) 359-7424 E-MAIL: HAWS@HAWSO.COM WEBSITE: WWW.HAWSO.COM	
			ECN NO. REVISED PER BY: ECN: 4837 HM	MODEL(S) 6635
DRAWN: PM	DATE: 03/99	CHKD.: [Signature]	DRAWING NO. 14050C00	REV 4
APPROVED: [Signature]	DATE: 7/14/13	SCALE: 1:7	DRAWING TYPE: INSTALLATION	SIZE: A SHEET 1 OF 2

THIS DOCUMENT IS TRUE AND CORRECT AT TIME OF PUBLICATION. CONTINUED PRODUCT IMPROVEMENTS MAKE SPECIFICATIONS AND MEASUREMENTS SUBJECT TO CHANGE WITHOUT NOTICE.

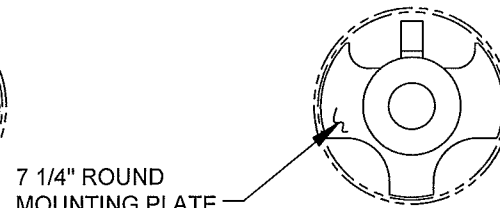
PLATE STYLES



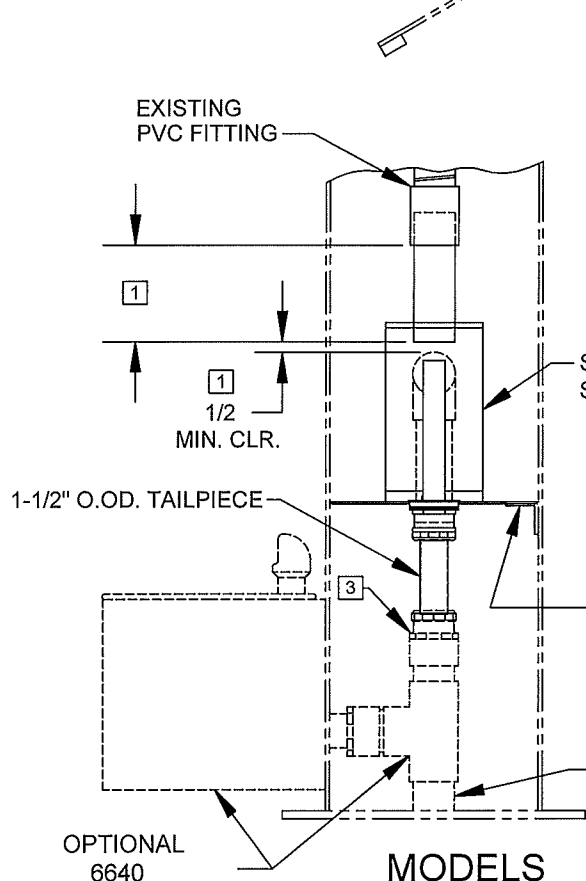
9 1/2" SQ. MOUNTING PLATE



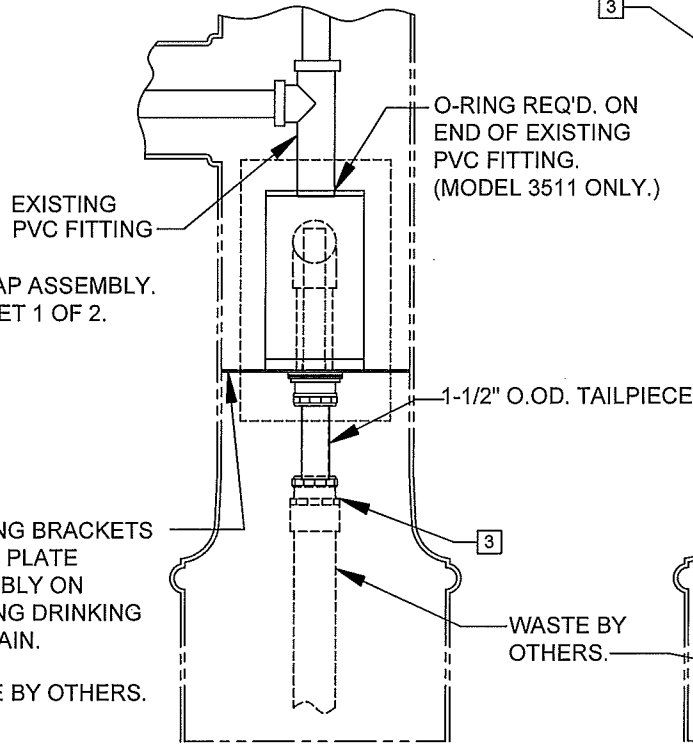
7 1/4" ROUND MOUNTING PLATE



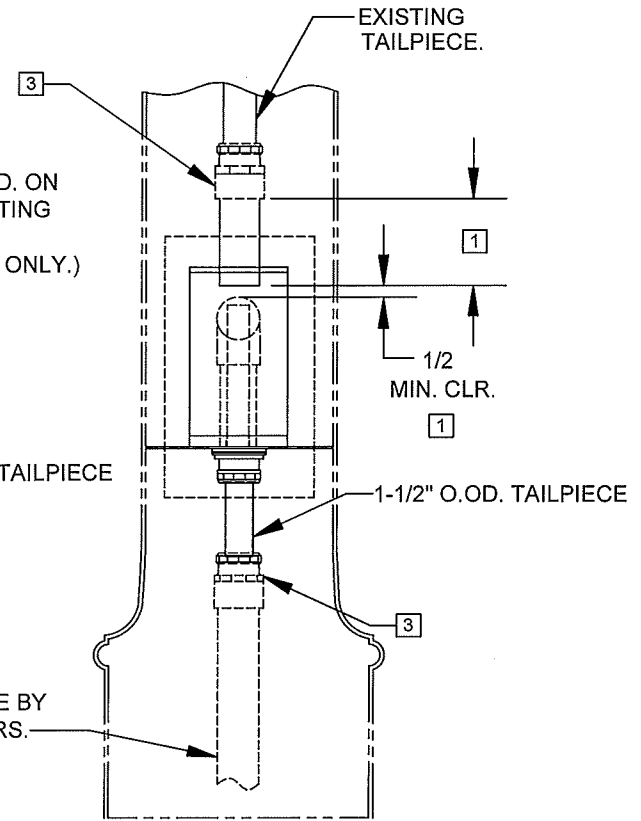
7 1/4" ROUND MOUNTING PLATE



MODELS
3500 / 3500D
3501/ 3502



MODELS
3511



MODELS
3510

WASTE CONNECTION DETAILS



1455 KLEPPE LANE
SPARKS, NEVADA 89431
(775) 359-4712 FAX (775) 359-7424
E-MAIL: HAWS@HAWS.CO.COM
WEBSITE: WWW.HAWS.CO.COM

ECN NO. REVISED PER BY:	MODEL(S)	PART NUMBER
ECN: 4837 HM		0002080008
DRAWN: DATE: CHK'D:		DRAWING NO. REV
PM 03/99		14050C00 4
APPROVED: DATE:		SCALE: 1:8 DRAWING TYPE: INSTALLATION SIZE: A SHEET 2 OF 2