



model **6608**
Access Panel

FEATURES & BENEFITS

OPTIONS

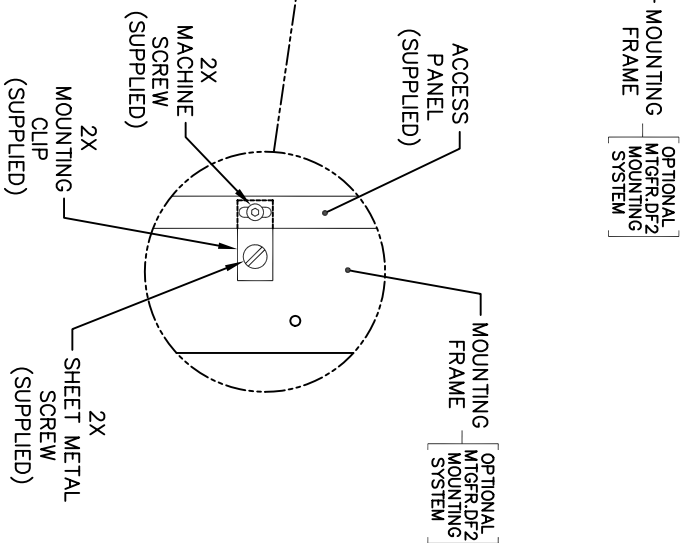
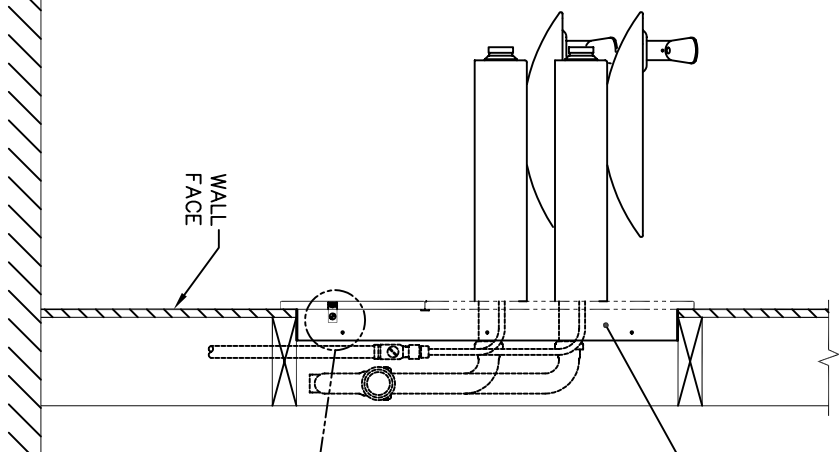
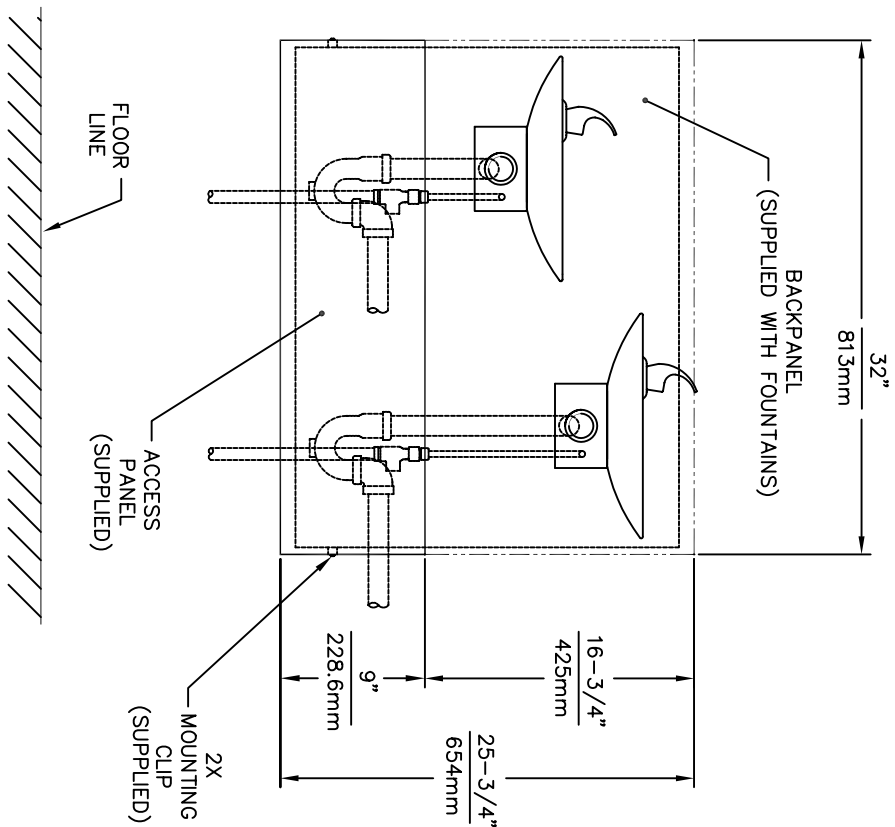
For more information, visit www.hawesco.com or call (888) 640-4297.



SPECIFICATIONS

Model 6608 is a 32" x 9" (81.2 x 22.9 cm) access panel designed to facilitate maintenance by allowing easier access to plumbing behind the wall. It is made of stainless steel with a satin finish for Model 1011MS.

APPLICATIONS



NOTES:

FOR THOSE ACCESS PANELS THAT ARE GOLD PLATED (MODEL 6607), CLEAN WITH A NON-ABRASIVE CLEANER. SUGGEST USING ONE PART LEMON JUICE AND ONE PART WATER OR APPROVED CLEANER FORMULATED FOR CLEANING GOLD PLATING.

Howe's
 INFO FAX : 1-888-FAX-HANS (1-888-329-4297)
 14527 Avenue Road, Suite 171, 55617424
 Phone: 416-291-1122
 Home Ag Building 3 Ch-3401 Burgdorf Switzerland
 Hows Mfg Pte Ltd 74 Sungei Kedat Loop Singapore 729531
 e-mail: Howe@howsco.com Website: www.howsco.com

REV	DATE	DESCRIPTION
1	6/97	INITIAL
2		

MODEL: 8607/8608/8608RHS
 TITLE: ACCESS PANEL
 PART NO: 13115C00
 13115C00
 1 2