



model 6603HPS

Access Panel

FEATURES & BENEFITS

OPTIONS

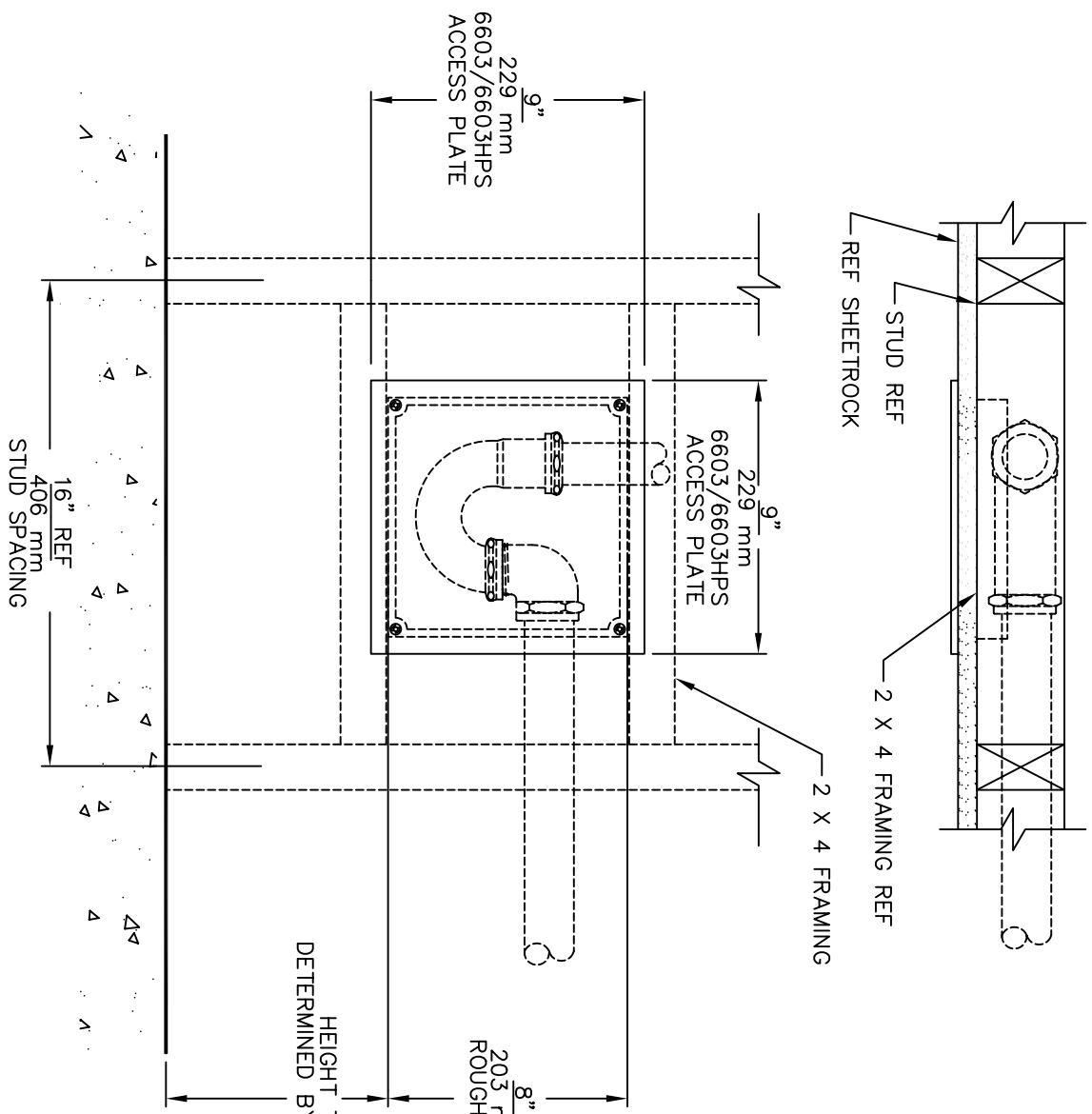
For more information, visit www.hawesco.com or call (888) 640-4297.



SPECIFICATIONS

Model 6603HPS is a 9" x 9" (22.9 x 22.9 cm) access panel designed to facilitate maintenance by allowing easier access to plumbing behind the wall. It is made of high-polished stainless steel, and includes frame and screws.

APPLICATIONS



HAWES

INFO FAX : 1-888-FAX-HAWS (1-888-329-4297)
 1455 Kleppe Ln, Sparks NY, 99431-7424
 Phone: 775-358-7172 Fax: 775-358-7424
 Haws Mfg Pld Ltd 72 Sungei Koodat Loop Singapore 729531
 e-mail: Haws@hawsco.com website: www.hawsco.com

DATE: 1/24/07
 MODEL: 6603/6603HPS
 TITLE: ACCESS PLATE
 INFO FAX DOC #: 26803477
 SCALE: 1/8"

DATE: 1/24/07
 MODEL: 6603/6603HPS
 TITLE: ACCESS PLATE
 INFO FAX DOC #: 26803477
 SCALE: 1/8"